



Color: White

UPC Code: 078477233306

Country Of Origin: Please Contact Customer Service.

NEMA:
5-15R



5325-W

15 Amp, 125 Volt, NEMA 5-15R, 2-Pole, 3-Wire, Decora Duplex Receptacle, Straight Blade, Residential Grade, Grounding, Quickwire Push-In & Side Wired, Steel Strap - White

Leviton's comprehensive Residential Grade Receptacles portfolio includes devices rated for all residential applications in a variety of standard configurations. They are produced in an array of colors in both Decora and traditional styles. All duplex receptacles are designed with thermoplastic construction and feature a shallow build for maximum wiring room. Each duplex is also equipped with break-off plaster ears and tabs to allow for easy alignment and two-circuit conversion.

Technical Information

Electrical Ratings

Amperage: 15 A

Voltage: 125 VAC

Environmental Specifications

Flammability: Rated V-2 per UL 94

Operating Temperature: -40°C to 60°C

Material Specifications

Body Material: Thermoplastic

Color: White

Face Material: Thermoplastic

Ground Clips: Brass-Plated

Grounding Screw: Steel 8-32

Strap Material: Steel

Terminal Screws: Brass

Mechanical Specifications

Grounding: Grounding

Terminal Accom.: 14-12 AWG

Terminal ID: Brass-Hot, Green-Ground, White-Neutral

Product Features

Amperage: 15 A

Body Material: Thermoplastic

Color: White

Face Material: Thermoplastic

NEMA: 5-15R

Pole: 2

Standards and Certifications: UL/CSA

Strap Material: Steel

Termination: Quickwire Push-In & Side

Type: Duplex Receptacle

Voltage: 125 VAC

Warranty: 2 Year Limited

Wire: 3

Standards and Certifications

CSA C22.2 No. 42: File LR-406

NOM Certified: 057

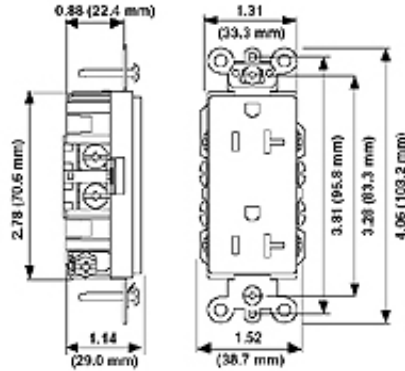
UL 498: File E13399

UL Listed: File E-13399

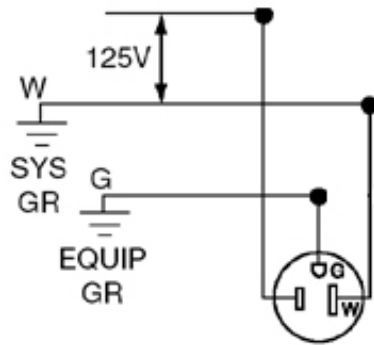
Features and Benefits

- Terminal screws accepts up to No. 12 AWG copper-clad wire
- Quickwire push-in terminals accept No. 14 AWG copper wire only.
- Double-wipe power contacts for reliable conductivity and plug retention.
- Heavy-gauge zinc-plated steel mounting strap
- Backed by a Limited Two-Year Warranty

Dimensional Diagram



Wiring Diagram



5-15R

SPECIFICATION SUBMITTAL

| | |
|---|--|
| JOB NAME: <input style="width: 95%;" type="text"/> | CATALOG NUMBERS: <input style="width: 95%;" type="text"/> |
| JOB NUMBER: <input style="width: 95%;" type="text"/> | <input style="width: 95%;" type="text"/> |

Leviton Manufacturing Co., Inc.

201 North Service Road, Melville, NY 11747

Telephone: +1-800-323-8920 · FAX: +1-800-832-9538 · Tech Line (8:30AM-7:30PM E.S.T. Monday-Friday):

+1-800-824-3005

Leviton Manufacturing of Canada, Ltd.

165 Hymus Boulevard, Pointe Claire, Quebec H9R 1E9 · Telephone: +1-800-469-7890 ·

FAX: +1-800-824-3005 · www.leviton.com/canada

Leviton S. de R.L. de C.V.

Lago Tana 43, Mexico DF, Mexico CP 11290 · Tel.: (+52)55-5082-1040 · FAX: (+52)5386-

1797 · www.leviton.com.mx

Visit our Website at: www.leviton.com

© 2018 Leviton Manufacturing Co., Inc. All Rights Reserved. Subject to change without notice.

Leviton has a global presence.

If you would like to know where your local Leviton office is located please go to:

www.leviton.com/international/contacts/

