



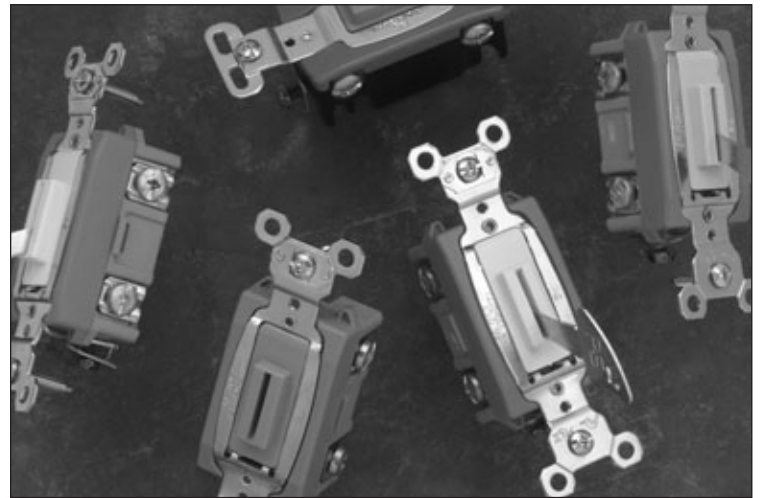
Pass & Seymour

Switches Extra Heavy-Duty Locking 15 & 20A, 120/277VAC

PS15AC1-L, PS15AC3-L, PS20AC1-L, PS20AC2-L, PS20AC3-L, PS20AC4-L

Keyed design prevents unauthorized or accidental use.

These rugged switches provide an easy, economical solution for restricting use. They use a sturdy, single-design key as a toggle, with the key removable in either the ON or OFF position. Extra-rugged construction makes these lock switches a dependable choice for any high-use application.



Features & Benefits

One-piece nickel-plated brass strap for superior corrosion-resistance.

Cam control and spring actuator for positive "makes and breaks" with a minimum of arcing.

Heavy-duty bumpers for quiet, smooth operation.

Oversized silver-alloy contacts for long life and better heat dissipation.

Heavy-duty, brass alloy, one-piece contact arm virtually eliminates contact bounce.

Shallow design for easier installation.

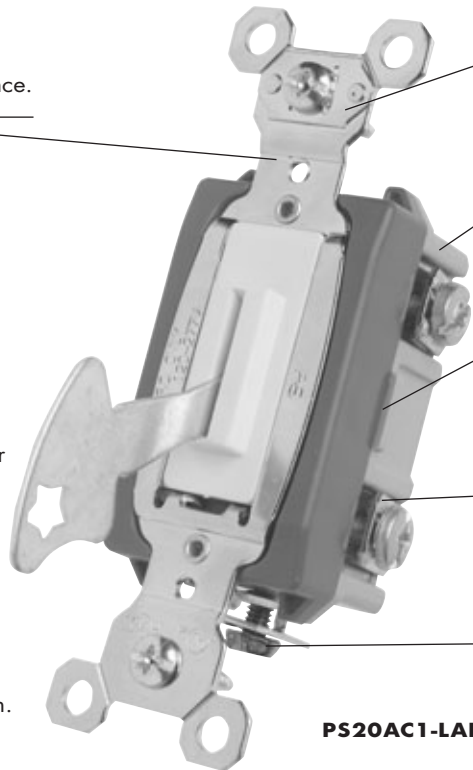
Auto-ground clip assures positive ground.

Glass-reinforced nylon back body for durability and strength.

Locking support provides resistance to face and back body separation.

Side and external screw-pressure-plate back wire with #14 – #10 AWG copper or copper-clad wire.

Grounding terminal is standard with screw-pressure-plate back wire.



PS20AC1-LAL

Field Uses/Vertical Markets

- Health Care
- Education
- Institutional
- Retail
- Office
- Hospitality/Lodging
- Multiple Dwelling

SF106R2 – Updated April 2006 – For latest specs visit www.legrand.us/passandseymour



Pass & Seymour

Switches Extra Heavy-Duty Locking 15 & 20A, 120/277VAC

Ordering Information

Catalog Number				Rating		Color
Single Pole	Double Pole	Three-Way	Four-Way	A.	VAC	
Lock Switches (Key can be removed in both positions) Back & Side Wire						
PS15AC1-L		PS15AC3-L		15	120/277	Gray
PS20AC1-L	PS20AC2-L	PS20AC3-L	PS20AC4-L	20	120/277	Gray
PS20AC1-IL		PS20AC3-IL		20	120/277	Ivory
PS20AC1-WL		PS20AC3-WL		20	120/277	White
PS20AC1-LAL		PS20AC3-LAL		20	120/277	Light Almond
Lock Switch Keys (One key furnished with each switch)						
500K	Fits new Switches					
1498	Fits Switches manufactured before 1976					
1498-NT	Fits Switches manufactured 1976-1982					

For more information on these and other P&S products refer to our Catalog or visit our web site.

SF106R2 – Updated April 2006 – For latest specs visit www.legrand.us/passandseymour

Switches Extra Heavy-Duty Locking 15 & 20A, 120/277VAC



Pass & Seymour

Technical Specifications

3rd Party Compliance

UL Listed, File Number E140597, Standard UL20, General Use Snap Switches.
Federal Specification WS896.
cULus Listed, File Number LR17446, Standard CSA-C22.2 No. 111, General Use Snap Switches.
Conforms to NEMA WD-1 and WD-6.

Performance

Electrical

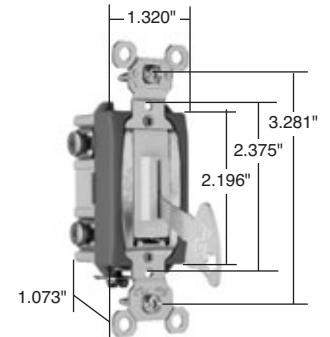
Dielectric Withstand Voltage	1500V Minimum
Maximum Working Voltage	277VAC
Overload	Minimum 4.8 times rated current for 100 cycles
Temperature Rise	30°C maximum at rated current
Maximum Continuous Current	277VAC
Endurance	50,000 cycles minimum, resistive, inductive, tungsten filament lamp load (Fed Spec)

Mechanical

Terminal Accommodations	#14 AWG – #10 AWG
-------------------------	-------------------

Environmental

Flammability	UL94 V2
Operating Temperature	Maximum continuous +115°C, minimum -40°C



Dimensions for
15 & 20 Amp Locking

Materials

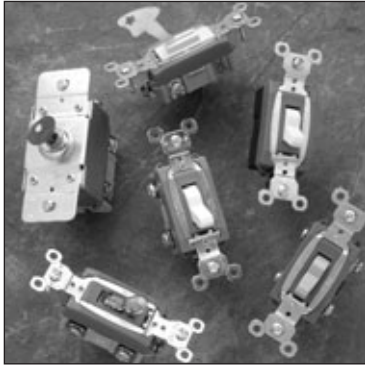
Back Body	Glass-Reinforced Nylon	Contacts	Silver Cadmium Oxide
Front Body	Nylon	Spring Arm	Brass
Key Slot	Thermoplastic Polycarbonate	Bumper	Rubber
Terminals	Brass	Spring	Zinc-Plated Steel
Terminal Screws	Tri-Drive Brass	Ground Terminal	Brass
Strap	Nickel-Plated Brass	Ground Screw	Tri-Drive Zinc-Plated Steel
Pressure Plate	Brass	Auto-Ground Clip	Nickel-Plated Brass

15 Amp Cover	Blue
20 Amp Cover	Red

Warranty

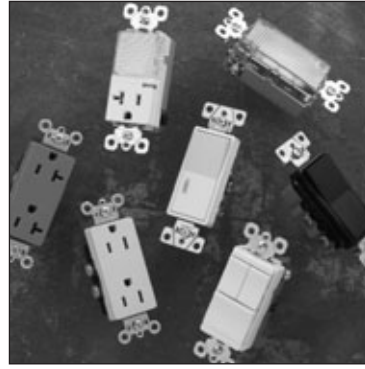
1 Year

Complimentary Devices & Accessories



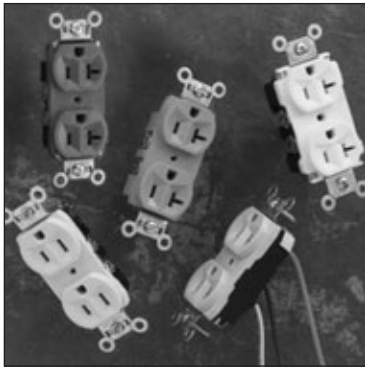
SWITCHES

- Heavy-Duty Toggle
- Heavy-Duty Lighted Toggle
- Heavy-Duty Security
- Construction Grade Toggle
- Commercial Grade Toggle



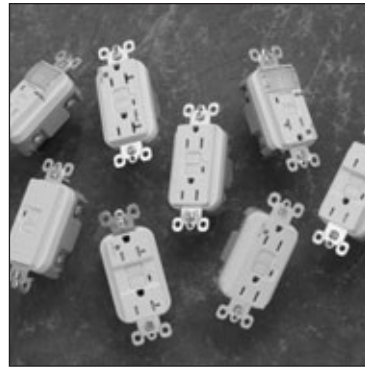
DECORATOR DEVICES

- Construction Grade Switches
- Specification Grade Combo Switches
- Construction Grade Receptacles
- Commercial Grade Receptacles
- Specification Grade Hallway Lights



STRAIGHT BLADE RECEPTACLES

- Extra Heavy-Duty
- Heavy-Duty
- Hard Use
- Construction Grade
- Construction Grade Leaded
- Commercial Grade



GFCIs

- Specification Grade
- Hospital Grade
- Dead Front



WALL PLATES

- TradeMaster® Thermoplastic Nylon
- Screwless Polycarbonate
- Stainless Steel
- Brass
- Aluminum
- Dustproof Stainless Steel Covers

Also available...

- Light Almond Devices
- Hospital Grade Devices
- PlugTail™ Devices
- TVSS & Isolated Ground Devices
- Ground Continuity Monitoring (GCM)
- Straight Blade Plugs & Connectors
- Turnlok® Locking Devices
- Weatherproof Boxes & Covers
- IEC 309 Industrial Products
- Flexcor® Wire Mesh Grips
- Configurable Solutions



Legrand/Pass & Seymour
P.O. Box 4822
Syracuse, NY 13221-4822
800-223-4185

North America Headquarters
60 Woodlawn Street
West Hartford, CT 06110
Phone: 1.877.BY.LEGRAND (295.3472)
Fax: 1.860.232.2062
www.legrand.us

Legrand Canada
570 Applewood Crescent
Vaughan, ON, L4K 4B4
Phone: 905.738.9195
Fax: 905.738.9721
www.legrand.ca

SF106R2 — Updated April 2006 — For latest specs visit www.legrand.us/passandseymour