

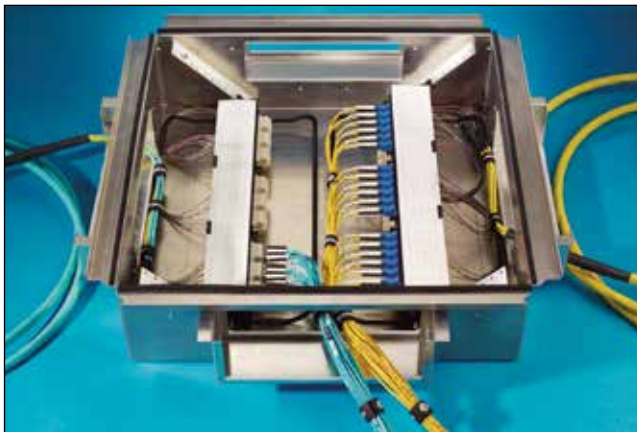


CZE Series Ceiling Enclosure with Ortronics® Patch Panel.

Solutions for Ceiling & Raised Floor Zone Cabling Applications in the Workspace

Wiremold® offers a full line of enclosures which support integrated zone systems. These enclosures create an intermediate or remote consolidation point that may be tested and secured prior to adding drops for voice and data outlets. Further, a remote consolidation point or zone enclosure reduces costs associated with moves, adds and changes. These enclosures are plenum rated by UL and can be used in environmental air spaces.

The enclosures also allow the user to save space in tight areas by providing connectivity in a traditional drop ceiling or raised floor. This not only conserves valuable space, but may provide the added benefit of reducing cooling requirements in potentially crowded equipment and data control rooms by moving active equipment to alternate sites. The substantial cost savings incurred by using access points in support of a zone cabling system, make these products a must in all office infrastructure.



RFE Series Raised Floor Enclosure with Ortronics® Multi-Mode and Single Mode Fiber Adapter Panels.

Vertical Markets

- Commercial
- Entertainment
- Retail
- Education
- Healthcare

Compliance

Both CZE and RFE Series Enclosures carry the following UL Listings: UL50, UL1863, and UL2043.

CZE Series: File E145222, Guide DUXR. Meets Article 800 of NEC and Article 60-308 of CEC

RFE Series: File E145222, Guide DUXR. Meets Article 800 of NEC and Article 60-308 of CEC

CZE Series Zone Cabling Ceiling Enclosures

CZE Series Ceiling Zone Cabling Enclosures create an intermediate or remote consolidation point that may be tested and secured prior to adding drops for voice or data outlets

Features & Benefits

- **Modularity.** Accepts a wide variety of patch panels & wiring blocks for copper and fiber applications
- **High capacity.** Reduced number of enclosures required. Saves installation time.
- **Optional Key Locks.** Provide added security. Order Cat. No. CZELOCKKIT.
- **Simplified moves, adds, and changes.** Easy access reduces network downtime and labor costs associated with moves adds and changes.
- **2' x 2' size.** Designed to integrate into standard drop ceiling grids. Easier to install.
- **UL Plenum rated.** Safe for use in air handling spaces.
- **Customized.** Custom units are available for unique projects with special requirements.
- **UL Listed.** File E145222, Guide DUXR. Meets Article 800 of NEC and Article 60-308 of CEC.

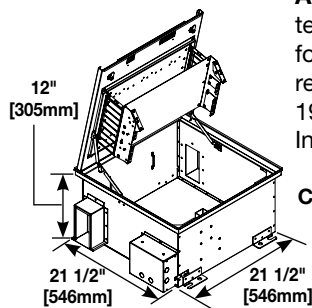


CZE Series Zone Cabling Ceiling Enclosures Ordering Information

CZE-242412A

Ceiling Zone Enclosure For Active Equipment – 12" deep telecommunications enclosure for 2' x 2' drop ceiling tile. One removable 7 RMU bracket for 19" patch panels and equipment. Includes junction box and fan.

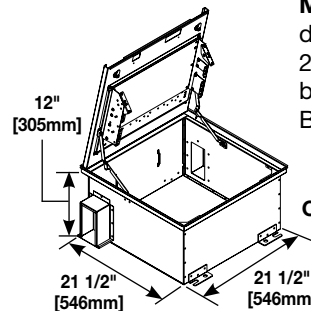
Country of Origin: USA



CZE-242412PP

Ceiling Zone Enclosure, For Mounting Patch Panels – 12" deep patch panel enclosure for 2' x 2' drop ceiling tile. One bracket for 19" patch panels. Bracket supports 5 RMU.

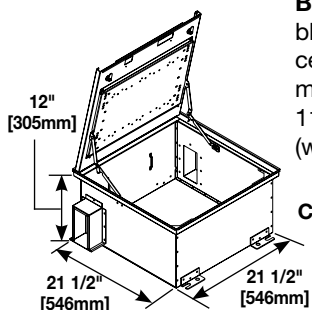
Country of Origin: USA



CZE-242412WB

Ceiling Zone Enclosure w/Wiring Blocks – 12" deep termination block enclosure for 2' x 2' drop ceiling tile. One removable mounting plate for two 300 pair 1100 style termination blocks (without legs).

Country of Origin: USA



CZELOCKKIT

Key Lock Kit for CZE Series Ceiling Zone Enclosures – Contains 2 locks and keys. Replaces standard turn lock knobs. Easy to install.

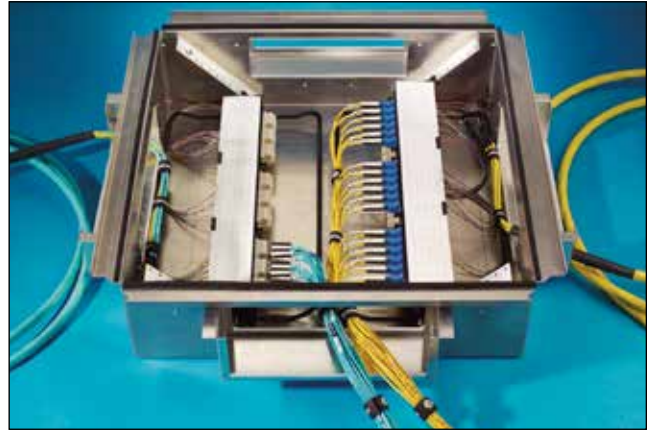
Country of Origin: USA

RFE Series Zone Cabling Raised Floor Enclosures

RFE Series Ceiling Zone Cabling Enclosures create an intermediate or remote consolidation point that may be tested and secured prior to adding drops for voice or data outlets

Features & Benefits

- **Modularity.** Accepts a wide variety of patch panels & wiring blocks for copper and fiber applications
- **High capacity.** Reduced number of enclosures required. Saves installation time.
- **Simplified moves, adds, and changes.** Easy access reduces network downtime and labor costs associated with moves adds and changes.
- **2' x 2' size.** Designed to use standard 2' x 2' raised floor tiles as the cover.
- **UL Plenum rated.** Safe for use in air handling spaces.
- **Customized.** Custom units are available for unique projects with special requirements.
- **UL Listed.** File E145222, Guide DUXR. Meets Article 800 of NEC and Article 60-308 of CEC.

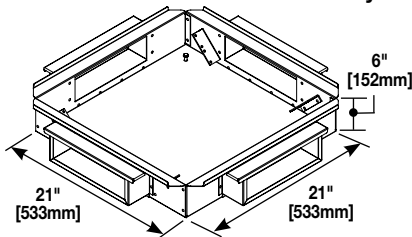


RFE Series Zone Cabling Raised Floor Enclosures Ordering Information

RFE-25256

Raised Floor Enclosure For Zone Cabling – Enclosure for 6" deep floor. Two pairs of pivoting mounting rails for 19" patch panels. Rails support 2 RMU each.

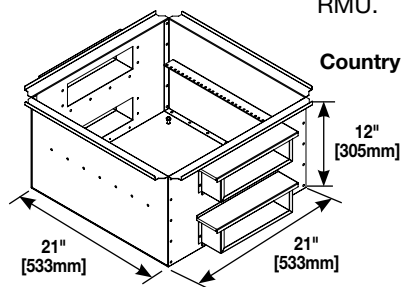
Country of Origin: USA



RFE-242412

Raised Floor Enclosure For Zone Cabling – Enclosure for 14" deep floor. A single mounting rail for 19" patch panels. Rail supports 11 RMU.

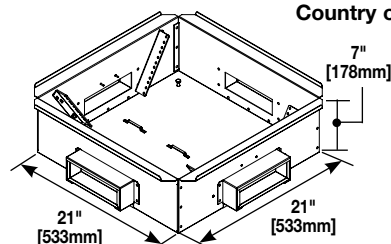
Country of Origin: USA




RFE-25257RB

Raised Floor Enclosure For Zone Cabling – Enclosure for 8" deep floor. Two pairs of pivoting mounting rails for 19" patch panels. Rails support 4 RMU each.

Country of Origin: USA



NOTE: All brand and product names referenced in this document are registered trademarks or trademarks of their respective holders.

 **NOTE:** The paper used to print this document is an environmentally responsible paper with 10% post consumer waste, with FSC and SFI Chain of Custody certifications, Lacey Act compliant. 100% of the electricity used to manufacture Flo sheets is generated with Green-e certified renewable energy.



Legrand, North America
60 Woodlawn Street
West Hartford, CT 06110
1.877.BY.LEGRAND (295.3472)
www.legrand.us

Canada
905.738.9195
www.legrand.ca

FOLLOW US

