



The ModPower System brings safe and convenient power for flexible work spaces

## Power Solutions for Flexible Spaces

Reimagine power and charging with the most flexible power system for commercial spaces. Connect up to six separate units that bring power and charging right to where people work and play. The Wiremold® ModPower System is easy to install, code compliant and a fast way to optimize any space for convenient power access. With several installation options, you can create the ideal design for your project. Perfect for in-office workstations, training areas, meeting rooms and more.

## Features & Benefits

- **Modular, code-compliant power.**  
Connect up to six of our power units together to create a system of power for training spaces, workstations or flexible workspaces.
- **Both in surface and on surface options.**  
Choose the best fit for your space with either in surface or on surface solutions. On surface options can be mounted under or above table surfaces. In surface options include a bezel that hides the mounting screws for a cleaner look.
- **Features tamper-resistant receptacles.**  
Models have three tamper-resistant receptacles to keep little fingers away from danger.
- **Easy installation.**  
On surface units can be mounted using clamp (for a damage-free install) or can be installed using wood screws. Installation for the in-surface units is a snap: cut the opening, insert the unit, tighten the clamps, snap on the bezel and plug it in.
- **Less clutter, more functionality.**  
A sleek slim design fits unobtrusively on work surfaces.
- **Stylish, aesthetically pleasing design.**  
Available in two attractive finishes that match or complement any furniture style: white and magnesium. Included bezel hides the mounting screws for a cleaner look when in surface.
- **UL Spill Water Compliant.**  
Passed UL 962A Spill Water Test requirements so it can even be used in a horizontal surface such as a tabletop.
- **FCC Compliance.**  
This device complies with FCC Part 15, Subpart B. Operation is subject to the following two conditions: (1) This device may not cause harmful interference, and (2) this device must accept any interference received, including interference that may cause undesired operation.

## Compliance



UL Listed to UL962A Supplement SD - Furniture Power Distribution Units for Portable (Moveable) Work Space Tables.

File Number E349493. Guide IYNC.



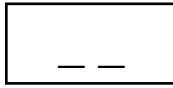
CSA certified to CSA Standard C22.2 No. 203-16 Modular Wiring Systems for Office Furniture

## Product Family Configurator

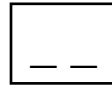
**Part Numbering Format:** ALL units have (3) 15A receptacles and 1 USB A port and 1 USB C port



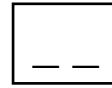
**Prefix**  
 MD – ModPower System



**Unit Selection**  
 SF – Primary unit, In Surface  
 SA – Primary unit, On Surface  
 CF – Middle unit, In Surface  
 CA – Middle unit, On Surface  
 EF – End unit, In Surface  
 EA – End unit, On Surface



**Cord Length**  
 10 – 10’ cord with NEMA plug (starter units only)  
 3 – 3’ connector cord (middle and end units only)



**Color**  
 WH – White  
 MG – Magnesium

**Example Part Number:** MDSF10-WH - Starter Unit, In Surface, 10 foot cord, in white with three 15A receptacles, one USB Type-A port and one USB Type-C port

## Product Specifications

### PRIMARY UNIT

Electrical	
Outlets	Rated 15A, 125Vac
USB	USB 5Vdc, 3.1A Shared (USB A/C port)
Circuit Breaker	15A
Cord Set	
Input Cord	Cord Set 10' (3.05m), SJT 12/3, NEMA 5-15P
Output Cord	Cord Set 3' (.91m), SJT 12/3, female connector

### MIDDLE UNIT

Electrical	
Outlets	Rated 12A, 125Vac
USB	USB 5Vdc, 3.1A Shared (USB A/C port)
Circuit Breaker	12A
Cord Set	
Input Cord	Cord Set 3' (.91m), SJT 12/3, male connector
Output Cord	Cord Set 3' (.91m), SJT 12/3, female connector

### END UNIT

Electrical	
Outlets	Rated 12A, 125Vac
USB	USB 5Vdc, 3.1A Shared (USB A/C port)
Circuit Breaker	12A
Cord Set	
Input Cord	Cord Set 3' (.91m), SJT 12/3, male connector
Output Cord	N/A

## Product Specifications (cont'd)

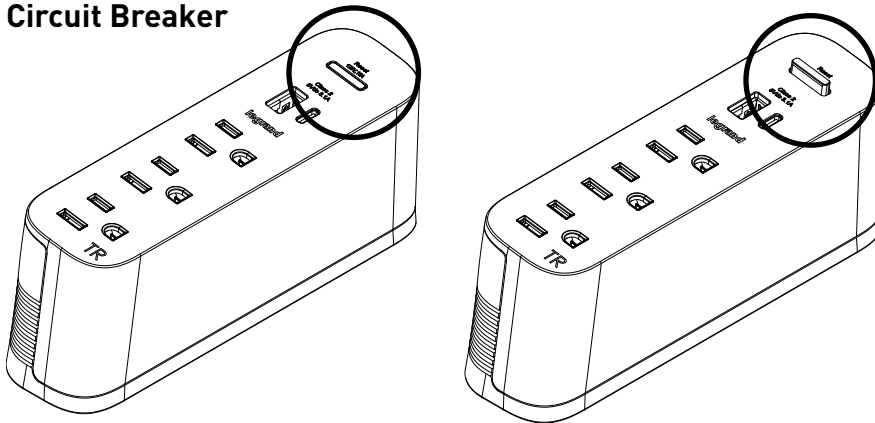
### ALL UNITS

Mechanical	
On Surface	Clamp: Mounts to any material from 1/2" to 1 1/2" (12.7mm to 38.1mm) thick Screw In: Mounts to any material that is a 1/2" (12.7mm) or greater Mounts in vertical or horizontal position.
In Surface	Any material from 1/2" to 1 1/2" (12.7mm to 38.1mm) thick
System Specifications	
Units:	USA: 6 units maximum in each system Canada: 4 units maximum in each system
Length:	48.5 feet (14.8m) maximum in each system
Warranty	
	Standard One Year
3rd Party Compliance	
	UL Listed to UL962A SD, the Standard for Furniture Power Distribution units for portable (Movable) Work space tables CSA certified to CSA Standard C22.2 No. 203-16 Modular Wiring Systems for Office Furniture

## Code Information

Legrand is excited to bring to market the first product evaluated and listed to the new UL 962A Supplement SD. These products are designed to allow for the primary unit to be connected to a wall or floor outlet, via a non-detachable power supply cord. Up to (5) additional units may be connected to the primary unit via interconnecting cords that utilize grounding-type Non-NEMA style connectors. NEMA style plugs and receptacles, for example 5-15P, 5-15R, 5-20P and 5-20R, may not be used as part of the interconnecting cords to ensure that units are not plugged into a standard relocatable power tap or furniture power center.

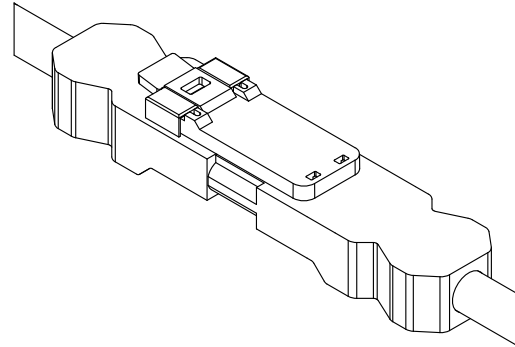
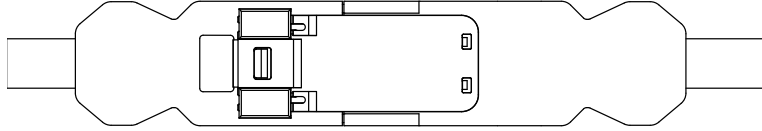
## Circuit Breaker



You will notice that our units (primary, middle and end) all utilize a circuit breaker. UL962A Supplement SD requires that all furniture power distribution units for portable (moveable) workspace tables contain supplementary overcurrent protection.

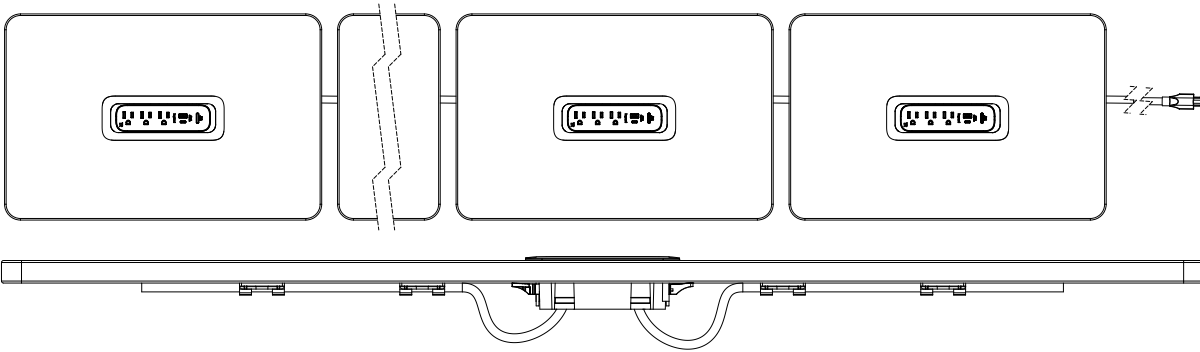
## Connectors

Easy to use connectors that are touch-safe with an added latch to prevent unintended separation. To connect, push together. To disconnect, just press down on the latch

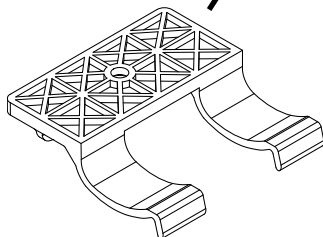
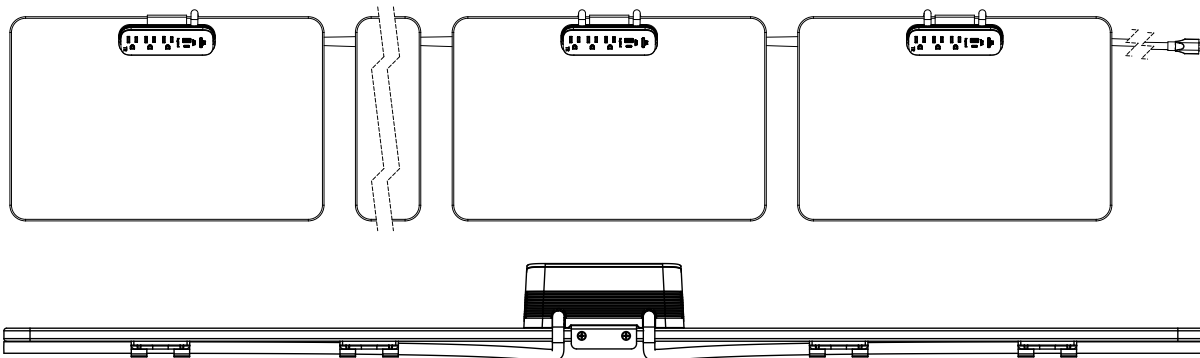


In surface and on surface system configuration with images of cord clips being used for cable management.

## In Surface



## On Surface

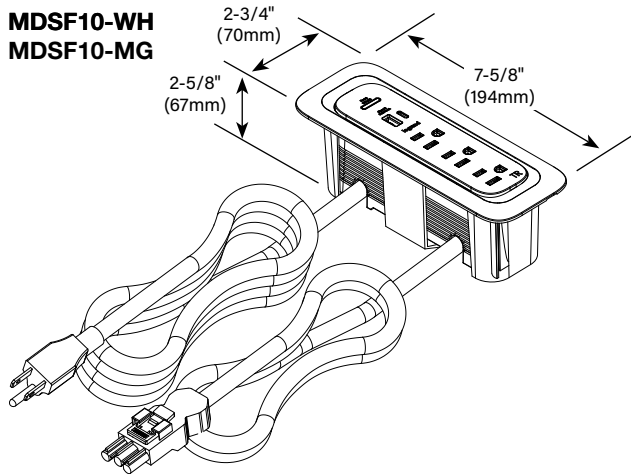


**Cable Management Cord Clips:**  
Included with each unit (2 clips per cord)  
and are available separately as packs of  
10 (MDCLIPS).

## Ordering Information

### Catalog No./Item

**MDSF10-WH**  
**MDSF10-MG**



### Description / Specifications

**Primary Unit, In Surface** – In Surface Primary Unit comes with 2 cords. The first cord is a 10 foot cord with a NEMA plug and the other is a 3 foot cord with a connector. Unit comes with (3) 15A tamper resistant receptacles, (1) USB A, (1) USB C port, and a circuit breaker.

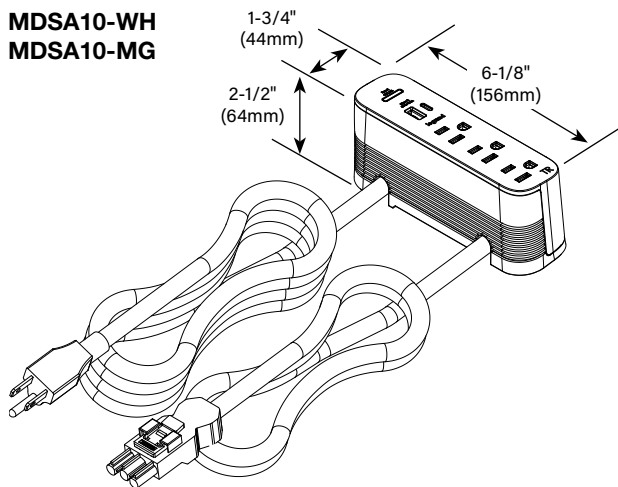
Each in surface unit comes with a mounting box to sit flush in a table. It will also come with 4 cord clips to assist with cable management.

Unit comes in either white (MDSF10-WH) or magnesium (MDSF10-MG).

**Country of Origin: China**

### Catalog No./Item

**MDSA10-WH**  
**MDSA10-MG**



### Description / Specifications

**Primary Unit, On Surface** – On Surface Primary Unit comes with 2 cords. The first cord is a 10 foot cord with a NEMA plug and the other is a 3 foot cord with a connector. Unit comes with (3) 15A tamper resistant receptacles, (1) USB A, (1) USB C port, and a circuit breaker.

Each on surface unit comes with a clamp and 3 extra brackets for various mounting methods. It will also come with 4 cord clips to assist with cable management.

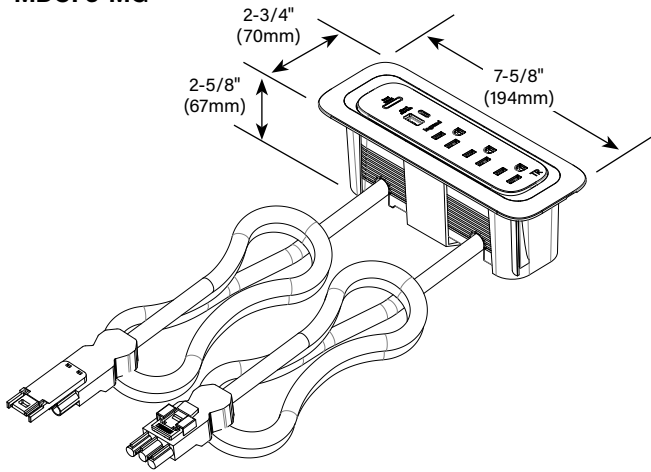
Unit comes in either white (MDSA10-WH) or magnesium (MDSA10-MG).

**Country of Origin: China**

## Ordering Information

**Catalog No./Item**

**MDCF3-WH**  
**MDCF3-MG**



**Description / Specifications**

**Middle Unit, In Surface** – In Surface Middle Unit comes with 2 cords. Both cords are 3 feet in length with a connector on both ends. Unit comes with (3) 15A tamper resistant receptacles, (1) USB A, (1) USB C port, and a circuit breaker.

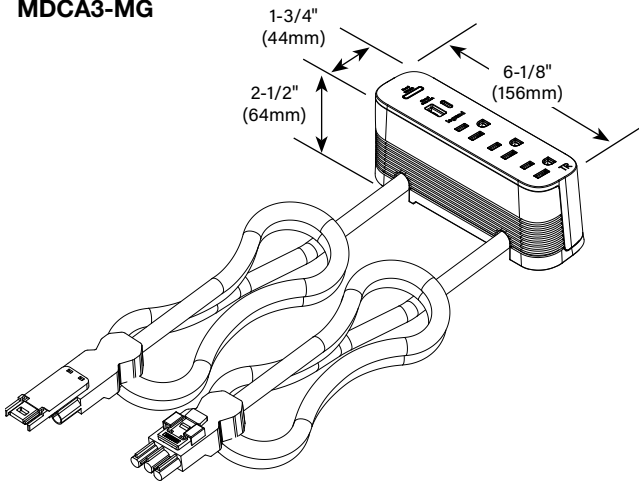
Each in surface unit comes with a mounting box to sit flush in a table. It will also come with 4 cord clips to assist with cable management.

Unit comes in either white (MDCF3-WH) or magnesium (MDCF3-MG).

**Country of Origin: China**

**Catalog No./Item**

**MDCA3-WH**  
**MDCA3-MG**



**Description / Specifications**

**Middle Unit, On Surface** – On Surface Middle Unit comes with 2 cords. Both cords are 3 feet in length with a connector on both ends. Unit comes with (3) 15A tamper resistant receptacles, (1) USB A, (1) USB C port, and a circuit breaker.

Each on surface unit comes with a clamp and 3 extra brackets for various mounting methods. It will also come with 4 cord clips to assist with cable management.

Unit comes in either white (MDCA3-WH) or magnesium (MDCA3-MG).

**Country of Origin: China**

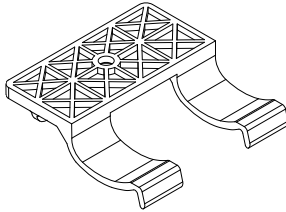


## Ordering Information

**Catalog No./Item**

**Description / Specifications**

**MDCLIPS**



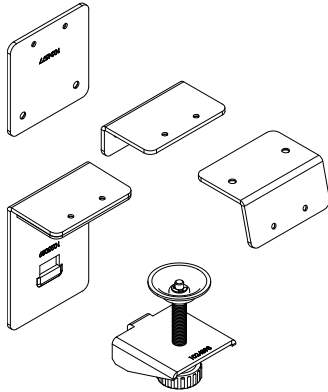
**Cord Clips** – Replacement bag of 10 mounting clips for cord management. Each ModPower unit includes cord clips in the box.

**Country of Origin: China**

**Catalog No./Item**

**Description / Specifications**

**MDBKT-WH**  
**MDBKT-BK**



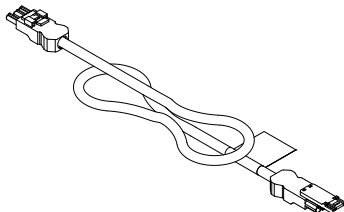
**On Surface Mounting Brackets** – Replacement brackets for on surface mounting units. Brackets are available in either white (MDBKT-WH) or black (MDBKT-BK).

**Country of Origin: China**

**Catalog No./Item**

**Description / Specifications**

**MDJ36BK**



**Jumper Cable** – Interconnecting jumper cord accessory to add an extra 3 feet of cord length between ModPower units in an existing system. Sold in packs of 2 cords, each 3 feet long with two connectors.

**Country of Origin: China**

## Vertical Markets

- Commercial
- Education
- Hospitality

**NOTE:** All brand and product names referenced in this document are registered trademarks or trademarks of their respective holders.



**Legrand, North America**  
60 Woodlawn Street  
West Hartford, CT 06110  
1.877.BY.LEGRAND (295.3472)  
www.legrand.us

**Canada**  
905.738.9195  
www.legrand.ca

FOLLOW US

