

# WIREMOLD® Table Boxes

## Bring technology connections to the point-of-use

Table Boxes from Wiremold bring technology closer to the user's work area. The routing of power, A/V connections and communications is virtually transparent and increasingly more accessible. Our wide range of table box solutions offer flexibility to meet the connectivity and power configurations required to run business smoothly while enhancing the overall room appearance. From desks to conference rooms or executive board rooms, Wiremold Table Boxes make technology easily accessible to the user.



InteGreat A/V Table Boxes are ideal for executive boardrooms.




### FEATURES & BENEFITS

- **Range of solutions.** Wiremold Table Boxes allow you to access services on, above or below the work surface with cord-ended or field-wired options. Standard off-the-shelf, field configurable or custom configurations are available to meet any work area need.
- **Variety of applications.** Office workstations, conference rooms, medical laboratories, even home offices can increase productivity by bringing access to connections up to the work surface.
- **Aesthetics.** Elegant yet functional access to services includes cover style and color options to meet room décor.
- **Ease of installation.** From placing a cord-ended unit in an existing opening, or using the supplied template to create the cut out, table boxes are made easy to install so you can get back to business.
- **Safety.** Wiremold Table Boxes meet U.S. and Canadian safety standards.



deQuorum™ Flip-Up Table Box and InteGreat Series A/V Table Box.

## Table Box Quick Selection Guide

TABLE BOX MODEL	SVC. LOCATION @ TABLE	CORD LENGTH	FIELD-WIRED WHIP LENGTH	COVER COLOR/MATERIAL	ELECTRICAL OUTLETS	DATA OPENINGS	A/V OPENINGS
 <b>InteGreat A/V Table Boxes</b>	Recessed	12' (3.66m)	Wire directly into Box	Black, Aluminum	(2) 15A Duplex Receptacles	Five AVIP Plate openings, 01 5 Retractors	
 <b>deQuorum Recessed Boxes</b>	Recessed	12' (3.66m)	6' (1.83m)	Gray, Black	(2) 20A Duplex Gasketed	Adapters for Ortronics® Series II, TracJack or Wiremold Open System	Cable Cord Keeper or Legrand AVIP Plates or Extron Electronics MAAP modules – (6) single or (3) double*
 <b>deQuorum Flip Up Boxes</b>	Flush	6' (1.83m)	Wire directly into Box	Black, Stainless	(1) 15A or 20A Duplex (1) 3.1A USB Duplex	Adapters for Ortronics® Series II, TracJack or Wiremold Open System	Convenience Power Hospitality USB Charging

## InteGreat A/V Table Boxes

InteGreat A/V table boxes are an elegant solution for extending power, communication and A/V to the meeting presenter's point-of use. InteGreat A/V table boxes provide the depth to mount devices, especially A/V devices, below the table top. It has attractive finishes that can match any room décor. Combine it with other InteGreat products, such as InteGreat Retractors, InteGreat Under Table Cable Management and InteGreat Transition Channel for a comprehensive solution to managing and delivering power, communication and A/V connectivity for conference rooms.



InteGreat A/V Table Boxes provide power, communication and A/V connectivity at the point-of-use.

### CODE REFERENCE

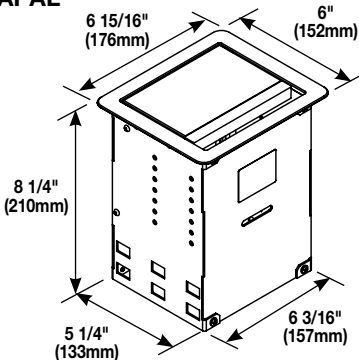
cETLus Listed Furniture Power Distribution Unit:  
Listed to US & Canadian Safety Standards

### InteGreat AV Table Box Part Number Configurator

<b>T B</b>	<b>6 7</b>	<b>2</b>	<b>A</b>	<b>P</b>	<b>B K</b>	<b>F</b>
InteGreat Series:	Size:	Compartments:	Compartment 1	Compartment 2	Color:	Cord Type:
TB = Table Box	67 = 6" x 7" Flange	2 = 2 Compartments	A = A/V P = Power	A = A/V P = Power	BK = Black AL = Aluminum	= 12' Cord F = Field Wired

number configurator can be used both to identify stock product configurations and also to request custom configurations from factory.

### InteGreat A/V Table Boxes Ordering Information

Catalog No./Item	Description/Specifications
<p><b>TB672APBK</b> <b>TB672APAL</b></p> 	<p><b>A/V Table Box</b> – Table Box with 12' (3.66m) cord. Unit comes with two (2) 15A receptacles in the recessed compartments and one 15A receptacle on the underside of the box. Hardware bag includes Wiremold® AVIP Series Cable Kit with eight (8) openings. Can accept up to five (5) Legrand AVIP device plates or five (5) Extron® Electronics MAAP device plates. (Sold separately.) Available in black (TB672APBK) or aluminum (TB672APAL) finish.</p>



InteGreat A/V Table Boxes accept Wiremold AVIP Series and Extron® Electronics MAAP Device Plates.



A Wiremold® AVIP Series Cable Kit is supplied with every InteGreat A/V Table Box.



Convenience receptacle on the underside of the box is ideal for powering small devices under the table.

## InteGreat Cable Retractors

InteGreat Cable Retractors attach easily to InteGreat A/V Table Boxes, or can be mounted directly to the underside of conference room tables. InteGreat Cable Retractors have 5' (1.52m) of retractable cable that allows users to have easy access to A/V and communication services. With a simple pull, the cable locks into place or retracts back into the table box, keeping the conference room table neat and organized.



InteGreat Cable Retractors protect cables while keeping them neat and organized.

### InteGreat Cable Retractors Ordering Information

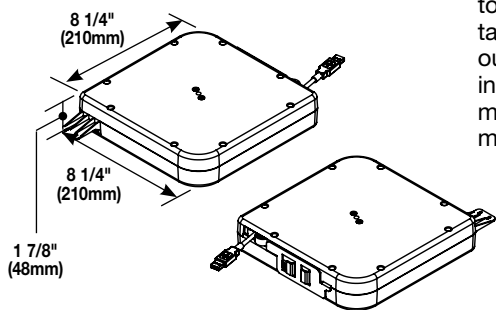
Catalog No./Item	Description/Specifications
<p><b>TBCRCAT6</b></p>	<p><b>Cable Retractor with Category 6 cable</b> – Mounts directly to the InteGreat Series A/V Table Box or to the underside of the conference room table using the TBCRHMK. Loaded with 12' (3.66m) of Cat6A cable that extends out 5' (1.52m) from the retractor. Retractor has a female input from building infrastructure, and a male connector on the output side.</p>
<p><b>TBCRHDMI</b></p>	<p><b>Cable Retractor with High Speed HDMI with Ethernet cable</b> – Mounts directly to the InteGreat Series A/V Table Box or to the underside of the conference room table using the TBCRHMK. Loaded with 12' (3.66m) of HDMI with Ethernet cable that extends out 5' (1.52m) from the retractor. Retractor has a female input from building infrastructure, and a male connector on the output side. Input side has mounting tab that allows installer to cable tie HDMI to the retractor to minimize chances of a loose connection.</p> <p><b>NOTE:</b> Per the HDMI specification, only four HDMI type cables exist: Standard Speed, Standard Speed with Ethernet, High Speed and High Speed with Ethernet. The HDMI organization has put in place a rule that requires all HDMI cables to be marketed in this manner. Therefore you will not see our cables marketed as HDMI 2.0 cables. Keep in mind that installing a cable supporting HDMI 2.0 features does not give your existing devices with previous HDMI specifications the ability to experience 4K x 2K resolution, 3D audio return or Ethernet New A/V equipment supporting these desired features is required in order to experience the newly specified features.</p>
<p><b>TBCRDP</b></p>	<p><b>Cable Retractor with DisplayPort Cable</b> – Mounts directly to the InteGreat Series A/V Table Box or to the underside of the conference room table using the TBCRHMK. Loaded with 12' (3.66m) of Displayport cable that extends out 5' (1.52m) from the retractor. Retractor has a female input from building infrastructure, and a male connector with latch on the output side.</p> <p><b>NOTE:</b> Cable supports High Bit Rate (HBR) bandwidth and up to a 4K resolution. Built to DisplayPort 1.2 standards, meeting the requirements of high performance applications.</p>

## InteGreat Cable Retractors Ordering Information (continued)

### Catalog No./Item

### Description/Specifications

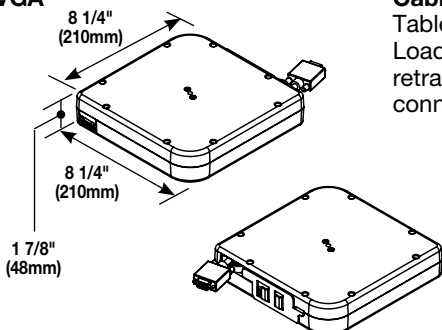
#### TBCRUSB



**Cable Retractor with USB 2.0 Cable and Built-In Repeater** – Mounts directly to the InteGreat Series A/V Table Box or to the underside of the conference room table using the TBCRHMK. Loaded with 12' (3.66m) of USB 2.0 cable that extends out 5' (1.52m) from the retractor. Retractor has a female Type A input from building infrastructure, and a male Type A connector on the output side. Input side has mounting tab that allows installer to cable tie USB connector to the retractor to minimize chances of a loose connection.

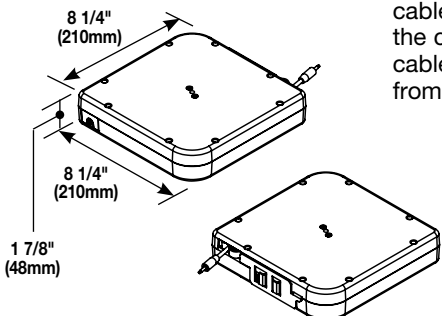
**NOTE:** Built in booster consumes 100mA from the USB port of the computer to extend signals beyond the 5 meter length limitation. Maximum data transfer rate of 480Mbps.

#### TBCRVGA



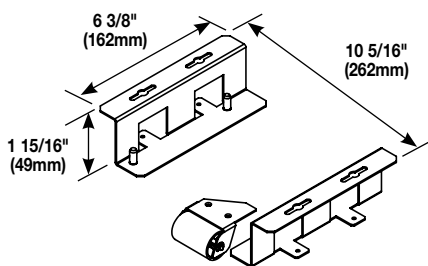
**Cable Retractor with VGA cable** – Mounts directly to the InteGreat Series A/V Table Box or to the underside of the conference room table using the TBCRHMK. Loaded with 12' (3.66m) of VGA VESA cable that extends out 5' (1.52m) from the retractor. Retractor has a female input from building infrastructure, and a male connector on the output side.

#### TBCR3.5MM



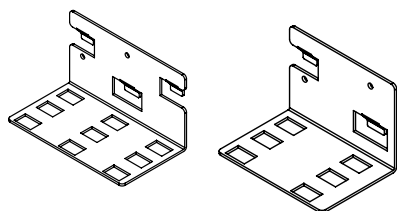
**Cable Retractor with 3.5mm Audio cable** – Cable Retractor with 3.5mm audio cable. Mounts directly to the InteGreat Series A/V Table Box or to the underside of the conference room table using the TBCRHMK. Loaded with 12' (3.66m) of audio cable that extends out 5' (1.52m) from the retractor. Retractor has a female input from building infrastructure, and a male connector on the output side.

#### TBCRHMK



**Cable Retractor Horizontal Mounting Bracket** – Allows retractor to mount horizontally under a conference room table, so cable can be accessed through a table grommet. Multiple retractors can be mounted to each other by attaching the TBCRHMK mounting brackets to each other.

#### TP-CR-BKT



**Perpendicular Mounting Bracket for Tablebox** – Allows up to five (5) cable retractors to be mounted below the box, instead of on the sides. This allows the box and cable retractors to be mounted and hidden inside a majority of tables with barrel or pedestal legs. See diagrams below

## deQuorum™ Recessed Table Boxes

deQuorum™ Recessed Table Boxes provide flexibility in décor, data and A/V connectivity options, and installation to meet specific functional and aesthetic needs. deQuorum™ Recessed Work Surface Table Boxes feature covers that can be closed during use to make the box unobtrusive.



deQuorum Table Boxes provide recessed access to power and communications services with multiple cover options.

### CODE REFERENCE

**cULus Listed Relocatable Power Tap:**  
File E66421 Guide XBY5

**cULus Listed Multioutlet Assembly:**  
File E15191 Guide PVGT

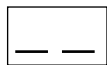
Listed to US & Canadian Safety Standards  
Meets Article 380 of NEC.

### deQUORUM TABLE BOX COLOR OPTIONS

deQuorum Table Box Covers are available in the following finishes: Black and Gray

### deQuorum Recessed Table Box Part Number Configurator

#### deQuorum Recessed Work Table Boxes



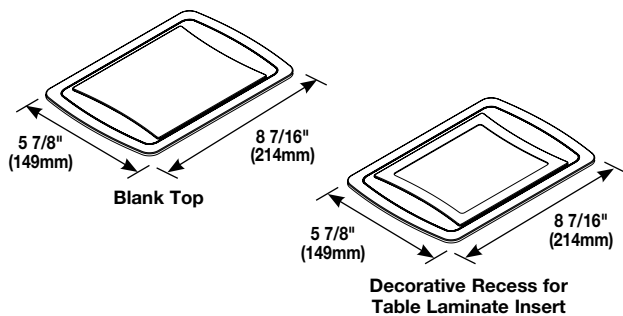
For information regarding communication inserts, go to:  
[www.legrand.us/wiremold](http://www.legrand.us/wiremold)

deQuorum Series:	Cover Style:	Cover Color:	Communications:	Top Style:
KC = Cord Ended KF = Field Wired	Flush = 1 Contoured = 4	Black = 0 Gray = 5	Ortronics = RT Wiremold = CM Open System	Recessed = 2 Blank = 8

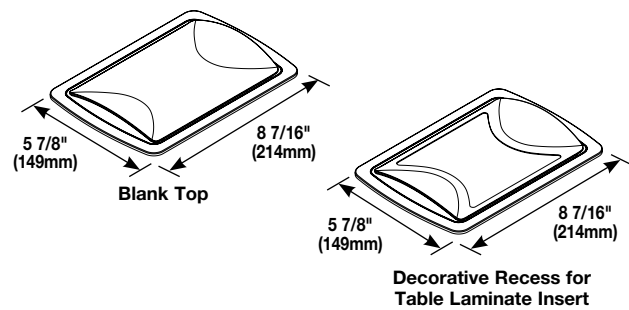
**NOTE:** Part number configurator can be used both to identify stock product configurations and also to request custom configurations from factory.

### deQuorum Recessed Table Box Cover Options

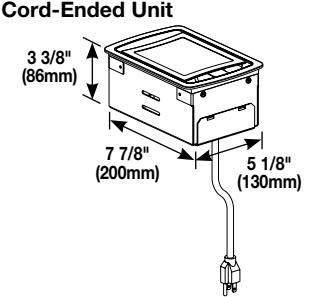
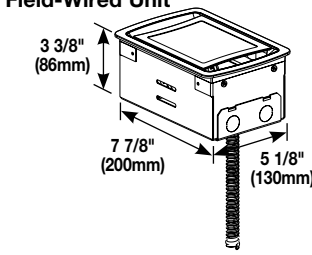
**FLUSH COVERS** – Available finishes: Black or Gray. Shown with flange.

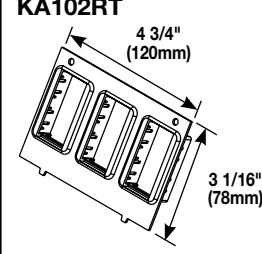
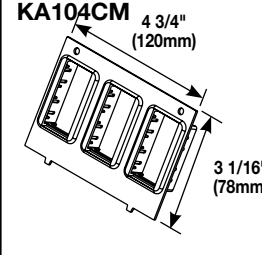
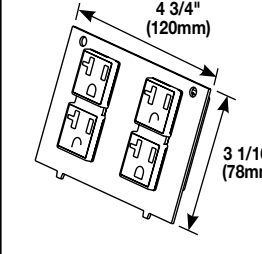
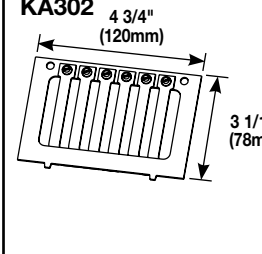
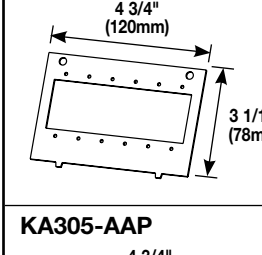
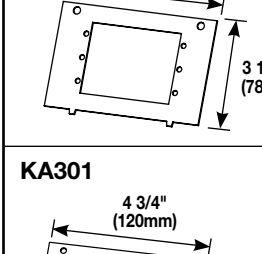
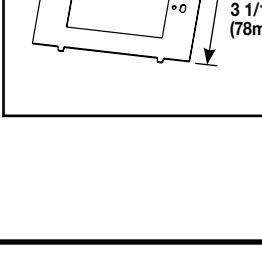


**CONTOURED COVERS** – Available finishes: Black or Gray. Shown with flange.



## deQuorum Recessed Table Box In-Stock Configurations Ordering Information

CATALOG NUMBER	DESCRIPTION	
<b>KC10CM2</b>	Cord-ended with black, flush cover with decorative recess. Unit comes with two 20A gasketed prewired receptacles with a 12' (3.65m) 14/3 SJT black cord. Includes adapters for Wiremold CM Series Open System communications outlets. Communication modules sold separately.	<p><b>Cord-Ended Unit</b></p>  <p><b>Field-Wired Unit</b></p> 
<b>KC10RT8</b>	Cord-ended with black, flush cover. Unit comes with two 20A gasketed prewired receptacles with a 12' (3.65m) 14/3 SJT black cord. Includes adapters for Ortronics® Series II and TracJack inserts. Communication modules sold separately.	
<b>KC15RT8</b>	Cord-ended with gray, flush cover. Unit comes with two 20A gasketed prewired receptacles with a 12' (3.65m) 14/3 SJT black cord. Includes adapters for Ortronics® Series II and TracJack inserts. Communication modules sold separately.	
<b>KF10CM8</b>	Field-wired with black, flush cover. Unit comes with two 20A gasketed prewired receptacles with a 3/8" (9.5mm) diameter 6' (1.83m) flexible whip. Includes adapters for Wiremold CM Series Open System communications outlets. Communication modules sold separately.	
<b>KF15RT2</b>	Field-wired with gray, flush cover with decorative recess. Unit comes with two 20A gasketed prewired receptacles with a 3/8" (9.5mm) diameter 6' (1.83m) flexible whip. Includes adapters for Ortronics® Series II and TracJack inserts. Communication modules sold separately.	

deQuorum Recessed Table Box Communication Plates Ordering Information	
PART NO.	DESCRIPTION
<p><b>KA102RT</b></p> 	<p><b>Replacement Ortronics Communications Plate –</b> Installed adapters will accommodate either Ortronics® Series II front-loading module system or the TracJack individual jack system. Includes black plate, three (3) Series II and three (3) TracJack adapters.</p>
<p><b>KA104CM</b></p> 	<p><b>Replacement Wiremold Open System Communications Plate –</b> Installed adapters accept Wiremold CM Series modules to accommodate a wide range of communications outlets. Includes black plate and three (3) Wiremold Open System CM2 adapters.</p>
<p><b>KA700</b></p> 	<p><b>Replacement 20A Gasketed Receptacle Plate –</b> Plate has factory-installed receptacles ready to connect with installed unit. Can be used for field-installed or cord-ended units.</p>
<p><b>KA302</b></p> 	<p><b>Cable Cord Keeper Plate –</b> Holds cables captive for easy access when active jacks are not needed. Pull the cable out for use. Keeper bars provide seven adjustable openings for cables ranging from .150" to .350" (3.8mm to 8.9mm) in diameter.</p>
<p><b>KA305</b></p> 	<p><b>Legrand AVIP Adapter Plate –</b> Accepts six (6) single size Legrand AVIP Plates or Extron® MAAP or three (3) double size MAAP modules, or any combination. Includes necessary hardware.</p>
<p><b>KA305-AAP</b></p> 	<p><b>Extron® AAP Adapter Plate –</b> Accepts three (3) AAP plates. Includes necessary hardware.</p>
<p><b>KA301</b></p> 	<p><b>Single-Gang Opening Plate –</b> Use this plate to install any communication and/or multimedia connectivity that requires a single-gang wallplate. Includes necessary mounting hardware.</p>

# deQuorum™ Flip-Up Table Boxes

deQuorum™ Flip-Up Table Boxes provide flexibility in décor, communication connectivity options, and installation to meet specific functional and aesthetic needs. Flip-Up Table Boxes bring the modules above the work surface when in use for easy access.



deQuorum™ Flip-Up Table Boxes provide flexibility in décor, communication connectivity options, and installation to meet specific functional and aesthetic needs.

## CODE REFERENCE

**DQFP Table Boxes:**  
**cULus Listed Relocatable Power Tap:**  
 File E66421 Guide XBY5

**DQFF Table Boxes:**  
**cULus Listed Multioutlet Assembly:**  
 File E15191 Guide PVGT

Listed to US & Canadian Safety Standards  
 Meets Article 380 of NEC.

## deQUORUM FLIP-UP TABLE BOXES COLOR OPTIONS

deQuorum Flip-Up Table Box Covers are available in the following finishes:  
 Black and Stainless.

## deQuorum Flip-Up Table Box Part Number Configurator

### deQuorum Flip-Up Table Boxes

**D Q F**

— —

— —

—

— —

— —

**deQuorum Series:**  
 DQF = deQuorum Flip-Up

**Wiring Option:**  
 P = Cord Ended  
 F = Field Wired

**Receptacle Amperage:**  
 15 = 15A  
 20 = 20A

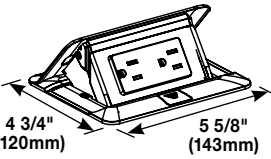
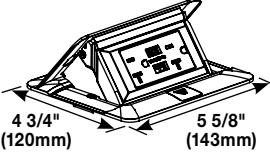
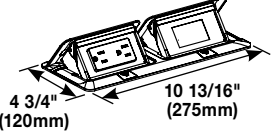
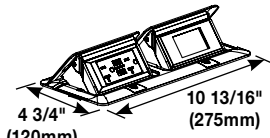
**USB:**  
 U = USB

**Unit Color:**  
 BK = Black  
 ST = Stainless

**Second Gang:**  
 Communications = 2A  
 One Gang Only = Leave Blank

**NOTE:** Part Number Configurator can be used both to identify stock product configurations and also to request custom configurations from the factory. Consult the factory for more information.

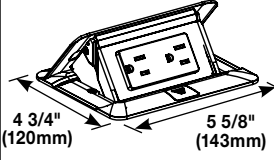
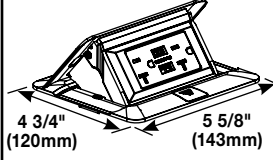
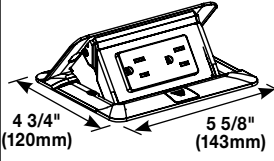
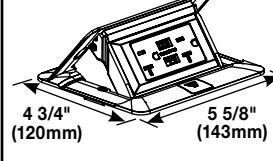
## deQuorum Flip-Up Pedestal Table Boxes Ordering Information

PART NO.	DESCRIPTION	PART NO.	DESCRIPTION
<b>DQFP15BK</b> <b>DQFP15ST</b>	<b>Single Flip-Up Unit –</b> Unit includes one (1) 15A black tamper-resistant duplex receptacle. Unit comes with a 6' (1.83m) cord. Available in black or stainless finishes.	<b>DQFP15UBK</b> <b>DQFP15UST</b>	<b>Single Flip-Up Unit –</b> Unit includes one (1) 15A black tamper-resistant duplex receptacle with two (2) USB ports that provide 3.1A. Unit comes with a 6' (1.83m) cord. Available in black or stainless finishes.
			
<b>DQFP15BK-2A</b> <b>DQFP15ST-2A</b>	<b>Dual Flip-Up Unit –</b> Unit includes one (1) 15A black tamper-resistant duplex receptacle. Second opening will accept adapter for one (1) Wiremold CM Series Open System 2A module, one (1) Ortronics Series II or one (1) TracJack adapter to accommodate a wide range of communication outlets. Adapters are included in hardware bag. Unit comes with a 6' (1.83m) cord. Available in black or stainless finishes.	<b>DQFP15UBK-2A</b> <b>DQFP15UST-2A</b>	<b>Dual Flip-Up Unit –</b> Unit includes one (1) 15A black tamper-resistant duplex receptacle with two (2) USB ports that provide 3.1A. Second opening will accept adapter for one (1) Wiremold CM Series Open System 2A module, one (1) Ortronics Series II or one (1) TracJack adapter to accommodate a wide range of communication outlets. Adapters are included in hardware bag. Unit comes with a 6' (1.83m) cord. Available in black or stainless finishes.
			

**NOTE:** Single-gang table boxes require a cutout of 4 1/8" x 5" (105mm x 127mm).  
 Double-gang table boxes require a cutout of 4 1/8" x 10 1/4" (105mm x 260mm).



**deQuorum Flip-Up Pedestal Table Boxes Ordering Information (Continued)**

PART NO.	DESCRIPTION	PART NO.	DESCRIPTION
<p><b>DQFF15BK</b> <b>DQFF15ST</b></p> 	<p><b>Single Flip-Up Unit –</b> Unit includes one (1) 15A black tamper-resistant duplex receptacle. Unit can be field-wired with MC or EMT using any 1/2" trade size connector. Hot, neutral and ground wires come with quick connectors for activation. Available in black or stainless finishes.</p>	<p><b>DQFF15UBK</b> <b>DQFF15UST</b></p> 	<p><b>Single Flip-Up Unit –</b> Unit includes one (1) 15A black tamper-resistant duplex receptacle with two (2) USB ports that provide 3.1A. Unit can be field wired with MC or EMT using any 1/2" trade size connector. Hot, neutral, and ground wires come with quick connects for activation. Available in black or stainless finishes.</p>
<p><b>DQFF15BK</b> <b>DQFF15ST</b></p> 	<p><b>Single Flip-Up Unit –</b> Unit includes one (1) 20A black tamper-resistant duplex receptacle. Unit can be field-wired with MC or EMT using any 1/2" trade size connector. Hot, neutral and ground wires come with quick connectors for activation. Available in black or stainless finishes.</p>	<p><b>DQFF20UBK</b> <b>DQFF20UST</b></p> 	<p><b>Single Flip-Up Unit –</b> Unit includes one (1) 20A black tamper-resistant duplex receptacle with two (2) USB ports that provide 3.1A. Unit can be field wired with MC or EMT using any 1/2" trade size connector. Hot, neutral, and ground wires come with quick connects for activation. Available in black or stainless finishes.</p>

**NOTE:** Single-gang table boxes require a cutout of 4 1/8" x 5" (105mm x 127mm).





**NOTE: All brand and product names referenced in this document are registered trademarks or trademarks of their respective holders.**



**NOTE:** The paper used to print this document is an environmentally responsible paper with 10% post consumer waste, with FSC and SFI Chain of Custody certifications, Lacey Act compliant. 100% of the electricity used to manufacture Flo sheets is generated with Green-e certified renewable energy.



**Electrical Wiring Systems**

60 Woodlawn Street  
West Hartford, CT 06110  
Phone: 1.877.BY.LEGRAND (295-3472)  
[www.legrand.us](http://www.legrand.us)

570 Applewood Crescent  
Vaughan, Ontario L4K 4B4  
Phone: 905.738.9195  
[www.legrand.ca](http://www.legrand.ca)

