



Evolution Series Hinged Wall Box in use in a hospital hallway.

Functionality, flexibility & capacity with a sleek, clean look

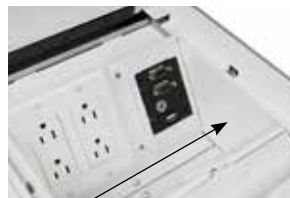
The Evolution™ Series line of innovative products continues to expand with the introduction of the new Evolution Series Hinged Wall Boxes. These boxes offer a sleek, clean look that architects love along with the functionality and flexibility that engineers and contractors require. Designed for both new work and old work applications, these boxes are available in both 4- and 8-gang versions to accommodate ever-increasing power, communications, and A/V requirements. Evolution Series Hinged Wall Boxes are ideal solutions for hotels, hospitals, lecture halls, conference rooms, entertainment venues, and airports.

Features & Benefits

- **4- or 8-gang versions.** Evolution Series Hinged Wall Boxes are available in both 4- and 8-gang versions to provide maximum flexibility.



- **Built-in Tunnel & Feed-through capability.** Allows service feeds to be fed through the box, reducing the number of feeds required to reduce installation time.



Tunnel

- **A/V Design.** Box has been developed with the A/V industry in mind. Accepts Legrand AVIP devices, plus A/V devices from leading A/V manufacturers.



- **Accepts standard size wall plates.** Wall boxes are designed to accept standard size 1- to 4-gang device plates. No proprietary plates simplifies ordering and installations.



- **Multiple knockouts sizes.**

Evolution Series Hinged Wall Boxes accept trade size service feeds from 3/4" up to 2". Knockout plates are removable and interchangeable, providing multiple flexibility and configurability options.



- **Decorative cover.** Cover opens a full 180° and is paintable to blend with room decor. Includes integrated handle, lock and keyset for security, and flush egress door for cabling.



- **Extra depth behind device plates:** 3 5/8" [92mm] of space behind device plates provides the extra depth needed for wiring larger A/V devices.



- **New work and old work applications.** Evolution Series Hinged Wall Boxes have been designed so they can be installed in both new work and old work installations. No need to order additional brackets or mounting hardware.

Vertical Markets

- Commercial
- Education
- Healthcare
- Hospitality
- Entertainment
- Retail

Compliance

 cULus Listed, Metallic Outlet Box File Number E2961. Guide QCIT.

Features & Benefits



- **Finished interior.** Finished interior eliminates industrial look for upscale installations, while increasing visibility, making it easier to locate, wire and plug in devices.
- **Plug-in Capacity.** 4 1/4" [108mm] of space between devices allows the end user to easily plug in or remove active devices that are across from each other.

- **Removable Dividers.** Provide added configurability. Each module comes with one divider that can be removed or replaced as needed.
- **Fits standard 2" x 4" wall construction.** Both the 4- and 8-gang versions of the Evolution Series Hinged Wall Box are designed to fit into the 16" on center [406mm] opening between studs in a standard 2" x 4" [51mm x 102mm] wall.

- **Datacom connectivity options.** Accepts industry standard and proprietary devices from a wide range of manufacturers to provide a seamless and aesthetically pleasing interface for voice, data and video applications at the point-of-use. A wide selection of data and adapter options are available for use with Ortronics® TracJack and Series II devices.



EHWB4 Wall Box with EHWBC4-WH Cover shown closed and open

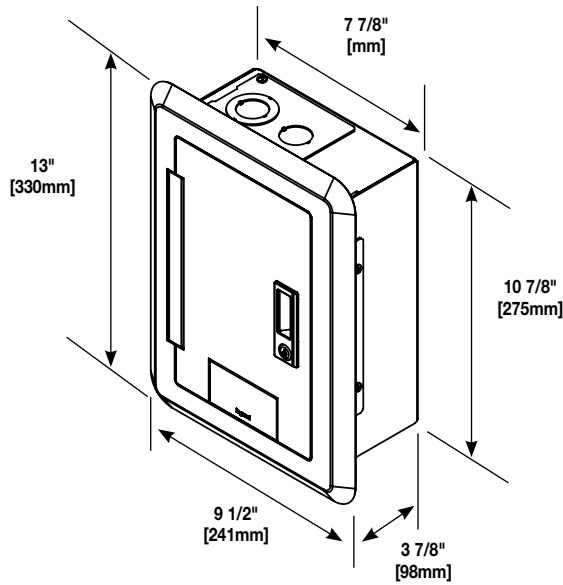


EHWB8 Wall Box with EHWBC8-WH Cover shown closed and open

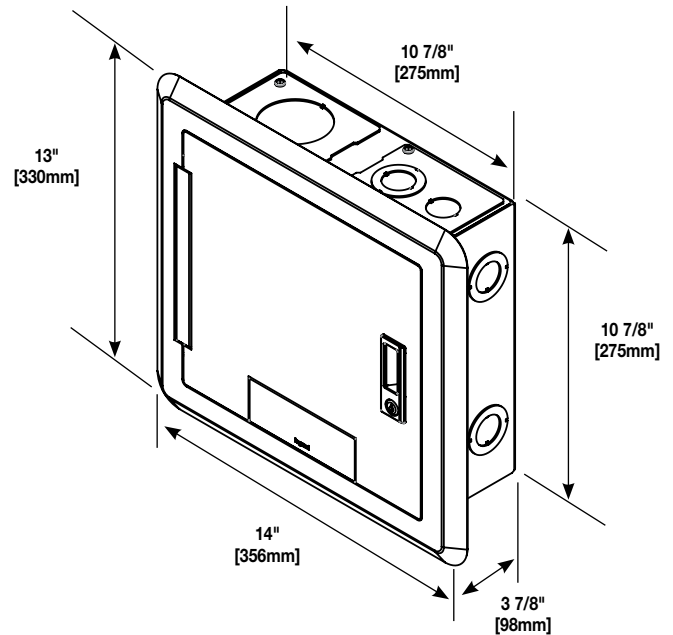


Evolution Series Hinged Wall Boxes – EHWB4 and EHWB8

EHWB4 with cover



EHWB8 with cover



**NOTE: Images for dimension reference only.
Boxes and Covers are sold separately.**

Evolution Series Wall Box Model Selection Guide		
WALL BOX MODEL	EHWB4	EHWB8
INSTALL TYPE New Work Old Work	YES YES	
BOX CAPACITY	4-Gangs	8-Gangs
DEPTH BEHIND PLATES	3 5/8" [92mm]	
DEVICE PLATE SIZE	Uses standard size device plates: One-gang: (2 3/4" x 4 1/2") [70mm x 114mm] Two-gang: (4 9/16" x 4 1/2") [115mm x 114mm] Three-Gang: (6 3/8" x 4 1/2") [162mm x 114mm] Four-Gang: (8 1/8" x 4 1/2") [206mm x 114mm]	
COVER COLORS	White and Black	
COMPARTMENT VOLUMES	43 cubic inches [705ml]	43 cubic inches [705ml]
KO SIZE RANGE (Trade Size)	3/4" to 2"	
TUNNELS	NO	YES
COUNTRY OF ORIGIN	USA	
NOTES	Trim flange and decorative cover are paintable	

Evolution Series Hinged Wall Box EHWB4 Ordering Information

Catalog No./Item

Description/Specifications

EHWB4-WH
EHWB4-BK

4-Gang Wall Box – Designed to fit into the 16" on center [406mm] opening between studs in a standard 2"x 4" [51mm x 102mm] wall. For both new work and old work applications. The box has 4-gang standard NEMA size openings and is designed to accommodate power, communications, and A/V devices. The box has been designed with a cable pass-through capability, allowing multiple service access points to be daisy chained together, eliminating the need for multiple conduit runs. Box includes temporary cover. Finished cover assembly (EHWB4C) sold separately.

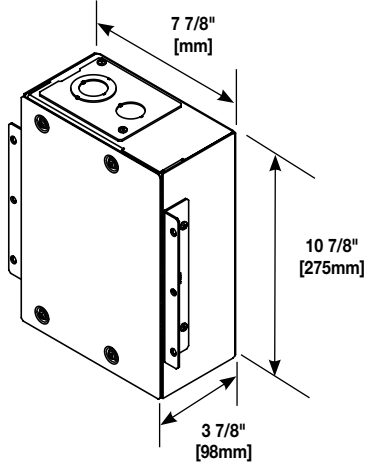
Country of Origin: USA

Components Included:

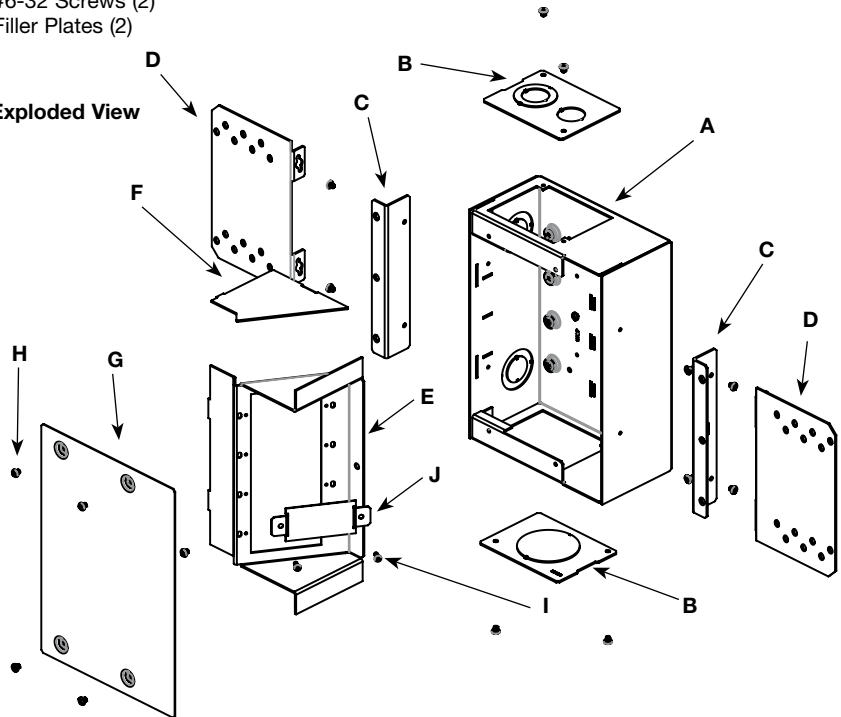
- A Enclosure Base
- B Knockout Plates
- C Old Work Mounting Brackets (2)
- D New Work Mounting Brackets (2)
- E Device Bracket
- F Removable Divider – EHWB-DIV
- G Temporary Cover
- H #8-32 Screws (14)
- I #6-32 Screws (2)
- J Filler Plates (2)

Items not included with the box and sold separately:

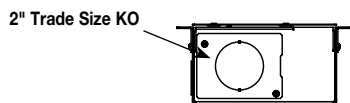
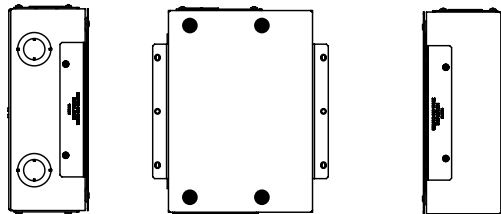
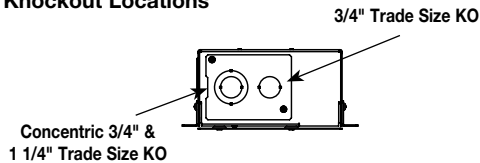
- Receptacles
- Communication Jacks
- A/V Devices
- Device plates
- Cover Assembly (EHWB4C)



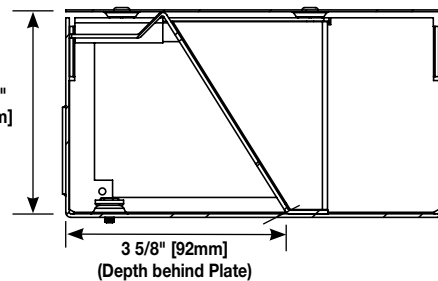
EHWB4 Exploded View



Knockout Locations



Device Module



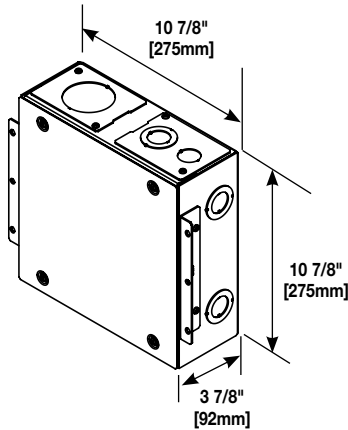
Evolution Series Hinged Wall Box EHWB8 Ordering Information

Catalog No./Item

Description/Specifications

EHWB8-WH
EHWB8-BK

8-Gang Wall Box – Designed to fit into the 16" on center [406mm] opening between studs in a standard 2" x 4" [51mm x 102mm] wall. For both new work and old work applications. The box has two (2) 4-gang standard NEMA size openings and designed to accommodate power, communications, and A/V devices. Each box includes tunnel that allows wiring compartments on both sides of the box to be fed with a single conduit, reducing time and construction cost. The box has been designed with a cable pass through capability allowing multiple service points to be daisy chained together, eliminating the need for multiple conduit runs. Box includes temporary cover. Finished cover assembly (EHWBC) sold separately.



Country of Origin: USA

Components Included:

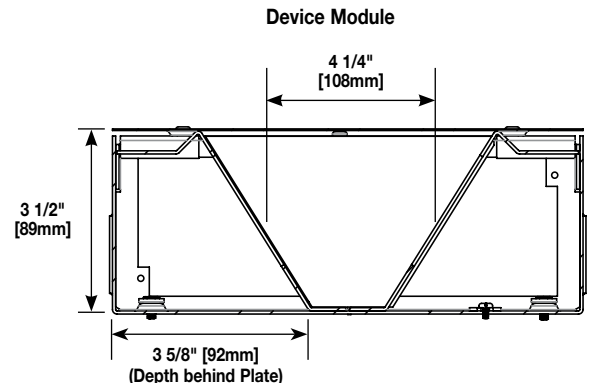
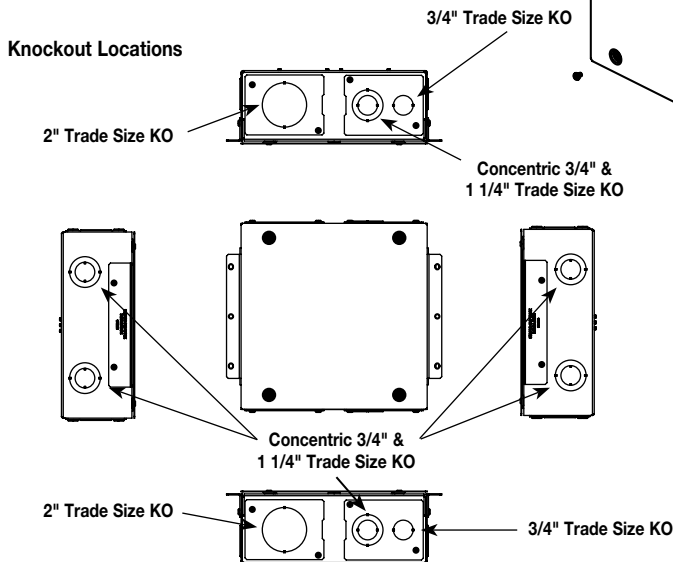
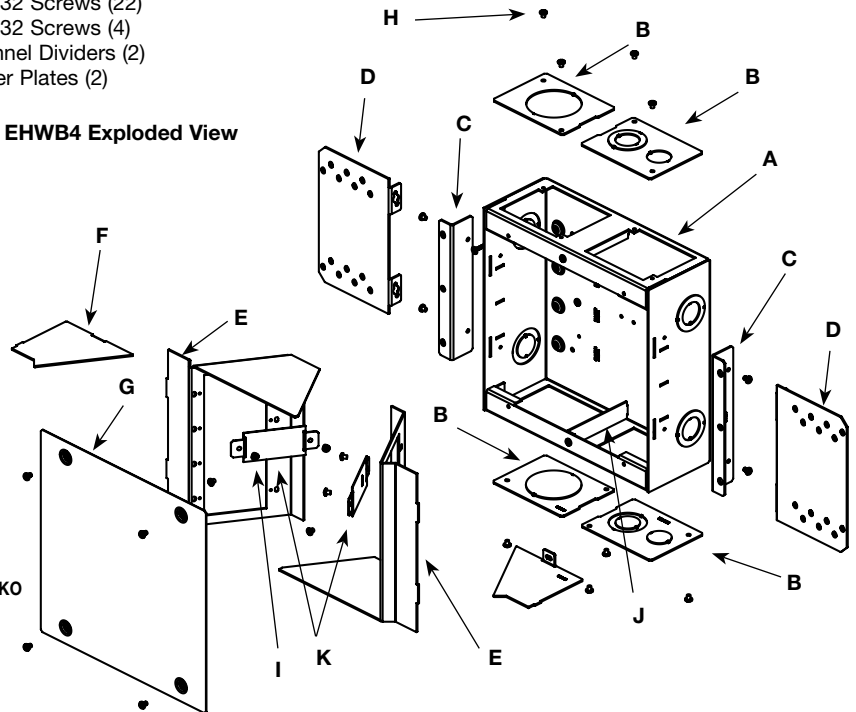
- A Enclosure Base
- B Knockout Plates (4)
- C Old Work Mounting Brackets (2)
- D New Work Mounting Brackets (2)
- E Device Brackets (2)
- F Removable Dividers – EHWB-DIV (2)
- G Temporary Cover
- H #8-32 Screws (22)
- I #6-32 Screws (4)
- J Tunnel Dividers (2)
- K Filler Plates (2)

Items not included with the box and sold separately:

- Receptacles
- Communication Jacks
- A/V Devices
- Device plates
- Cover Assembly (EHWBC8)



EHWB4 Exploded View



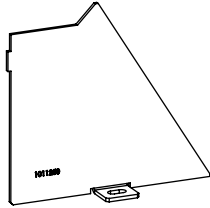
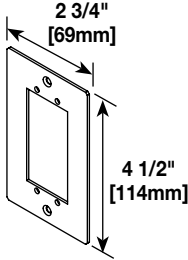
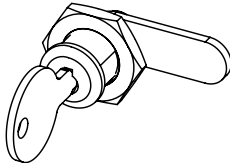
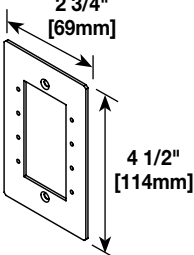
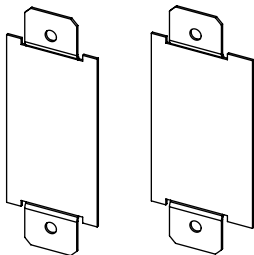
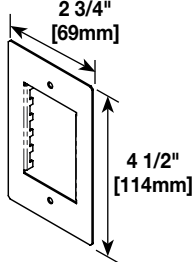
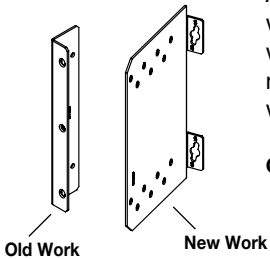
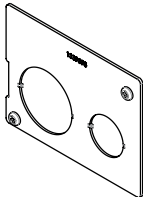
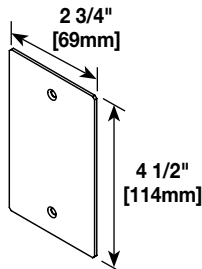
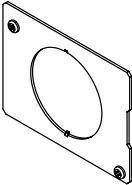
Evolution Series Hinged Wall Box Covers Ordering Information

Catalog No./Item	Description/Specifications	Catalog No./Item	Description/Specifications		
EHWBC4-WH EHWBC4-BK	<p>4-Gang Wall Box Cover – Decorative wall box cover designed to fit onto the 4-gang hinged wall box (EHWB4). Cover comes complete with a hinge that allows the cover to open a full 180°, an integrated handle with lock and key set, and an egress door that allows the cables to exit the box flush against the wall. The cover is offered in two powder-coated finishes white (EHWBC4-WH) or black (EHWBC4-BK).</p> <p>Country of Origin: USA</p> <p>NOTE: Covers are not included with Evolution Series Hinged Wall Boxes (temporary protective cover is included) and must be ordered separately.</p>		EHWBC8-WH EHWBC8-BK	<p>8-Gang Wall Box Cover – Decorative wall box cover designed to fit onto the 8-gang hinged wall box (EHWB8). Cover comes complete with a hinge that allows the cover to open a full 180°, an integrated handle with lock and key set, and an egress door that allows the cables to exit the box flush against the wall. The cover is offered in two powder-coated finishes white: EHWBC8-WH or black EHWBC8-BK.</p> <p>Country of Origin: USA</p> <p>NOTE: Covers are not included with Evolution Series Hinged Wall Boxes (temporary protective cover is included) and must be ordered separately.</p>	



Evolution Series Hinged Wall Box in use in a lecture hall.

Evolution Series Hinged Wall Box Accessories Ordering Information

Catalog No./Item	Description/Specifications	Catalog No./Item	Description/Specifications
<p>EHWB-DIV</p> 	<p>Replacement Divider – Provides separation of services. Includes one (1) divider.</p> <p>Country of Origin: USA</p>	<p>EFB-AAP</p> 	<p>Device Plate – Holds two (2) Extron® Electronics AAP devices. Standard size wall plate: 2 3/4" x 4 1/2" [69mm x 114mm].</p> <p>Color: White</p> <p>Country of Origin: USA</p>
<p>EHWB-CLK</p> 	<p>Replacement Lock & Key Set – Standard quarter turn lock and key set. Fits both EHWBC4 and EHWBC8 Covers. Keys are standard and not coded to lock set.</p> <p>Country of Origin: USA</p>	<p>EFB-MAAP</p> 	<p>Device Plate – Holds four (4) Legrand AVIP plates or Extron® Electronics MAAP devices. Standard size wall plate: 2 3/4" x 4 1/2" [69mm x 114mm].</p> <p>Color: White</p> <p>Country of Origin: USA</p>
<p>EHWB-Spacer EHWB-Spacer-BK</p> 	<p>Spacer Plate – Used to close off openings when certain combinations of standard width device plates leave open spaces. Two (2) spacers provided.</p> <p>Color: EHWB-SPACER = White EHWB-SPACER-BK = Black</p> <p>Country of Origin: USA</p>	<p>EFB-MOS</p> 	<p>Device Plate – European device plate accepts up to [45mm x 67.5mm] Arteor device. Standard size wall plate: 2 3/4" x 4 1/2" [69mm x 114mm].</p> <p>Color: White</p> <p>Country of Origin: USA</p> <p>NOTE: Not designed for use with adorne line of devices.</p>
<p>EHWB-MB</p> 	<p>Replacement Mounting Bracket – Allows wall box to be secured to wall in both new work and old work applications. Includes two (2) new work brackets and two (2) old work brackets.</p> <p>Country of Origin: USA</p>	<p>EFB810-3/4-11/4</p> 	<p>Knockout Plate – Has one (1) 3/4" and one (1) 3/4"/1 1/4" concentric trade size knockout.</p> <p>Country of Origin: USA</p>
<p>EFB-B</p> 	<p>Blank Device Plate – Covers unused module opening. Standard size wall plate: 2 3/4" x 4 1/2" [69mm x 114mm].</p> <p>Color: White</p> <p>Country of Origin: USA</p>	<p>EFB810-2</p> 	<p>Knockout Plate – Has one (1) 2" trade size knockout.</p> <p>Country of Origin: USA</p>

NOTE: All brand and product names referenced in this document are registered trademarks or trademarks of their respective holders.



NOTE: The paper used to print this document is an environmentally responsible paper with 10% post consumer waste, with FSC and SFI Chain of Custody certifications, Lacey Act complaint. 100% of the electricity used to manufacture Flo sheets is generated with Green-e certified renewable energy.



Legrand, North America
60 Woodlawn Street
West Hartford, CT 06110
1.877.BY.LEGRAND (295.3472)
www.legrand.us

Canada
905.738.9195
www.legrand.ca

FOLLOW US

