

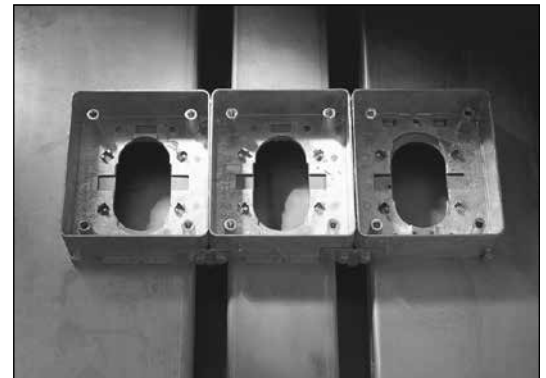
Highly flexible duct system to meet varying project demands

Walkerduct® Underfloor Duct System includes two sizes of underfloor ducts - No.2 and No. 4 - for maximum flexibility. This allows you to match cable capacity to project demands by combining several ducts of different sizes in the same system. It's an ideal configuration for casinos, commercial offices, education, government, museums, and retail applications.

Walkerduct features superior product construction, manufactured of 16-gauge galvanized steel with continuous seam welds. It accepts a wide variety of service fittings, including flush and pedestal styles.

Ducts are available with or without presets. Pro Series presets are rectangular and accommodate flush and pedestal service fittings while providing ample bend radius to ensure the integrity of fiber optic cable connections. IPS presets are round and offer smaller egress areas. These work with pedestal style activations and are ideal for furniture feed applications. See page 17 for more information on compatible service fittings.

Walkerduct can be fed by junction boxes or by Trenchduct for larger cable capacity installations.



Pro Series presets can be positioned together to create one activation location.

FEATURES & BENEFITS

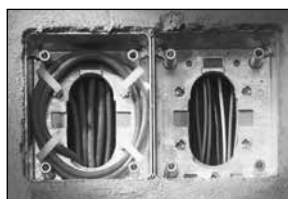
- **Heavy Duty Junction Box.** Perfect for casino applications, heavy duty junction boxes are available for applications where the duct system will be subjected to heavy loads.
- **Quality construction.** Duct is made of 16 gauge galvanized steel with continuous seam weld construction. Makes for easy field cuts and prevents water seepage into the duct.
- **Large bend radius into duct and around corners and elbows.** Maintains integrity of fiber optic cable when changing direction of cable orientation.
- **Large oblong opening into duct.** Allows easy hand access into the duct to pull wires. The opening provides enhanced bend radius when pulling cable.
- **One-meter fiber or cable loop storage in preset.** Allows easy access to cable to activate service fitting.
- **Flush activations for single-, double-, and triple-duct runs for both tiled and carpeted floors.** Aesthetically pleasing activations in brass, brushed aluminum and nonmetallic provide easy access to power and telecommunications at each workstation. Activations accept Category 6, 5e, UTP, STP, coaxial, audio, and fiber optics inserts. Front loaded snap-in inserts save installation time.
- **Only junction box offering square or round access cover plates.** The flexibility to choose which style will provide the best aesthetic appearance for a particular tile or carpet application.
- **Built-in tile trim.** The square junction boxes include flangeless aluminum trim to accommodate 1/8" [3.2mm] thick tile.
- **Large presets.** The presets have large cubic inch capacity to allow easy access to wires and plenty of room for splicing and connections. Saves installation time.

IMPORTANT!

A minimum 1 1/2" [38mm] preset or afterset is required on Pro Series duct to support standard duplex receptacles and communication devices when using flush activations. The 1" [25mm] preset or afterset should be specified for pedestal style fittings or when cabling will be pulled through the activation point.



Presets have room to store up to 1 meter of cable in preset. Fiber loop clips (Cat. No. 427) shown.



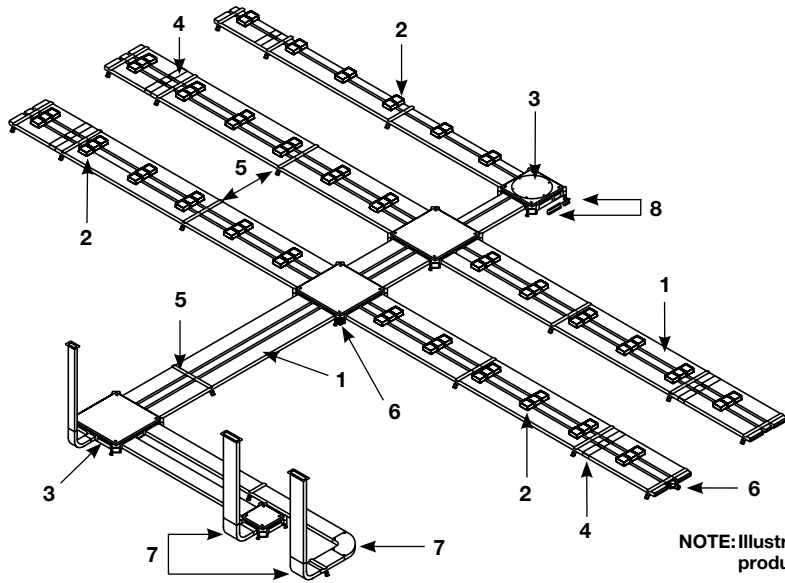
Pro Series presets offer large access area into the duct.



Flush activations offer a full range of power and communication connections.

Walkerduct Pro Series System Layouts

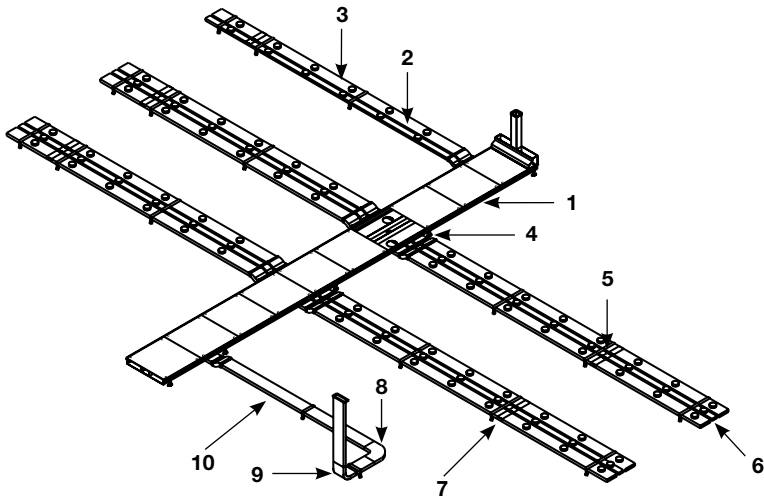
WALKERDUCT PRO SERIES SYSTEM LAYOUT WITH JUNCTION BOXES



KEY	
1	Duct
2	Pro Series Preset
3	Junction Box
4	Coupling
5	Duct Support
6	Conduit Adapter
7	Elbow
8	Junction Box Closure

NOTE: Illustration is for showing product applications only.

WALKERDUCT 2" [51MM] IPS DUCT SYSTEM LAYOUT WITH TRENCHDUCT



KEY	
1	Trenchduct
2	#2 2" IPS Duct
3	#4 2" IPS Duct
4	Cross Under
5	Couplings
6	End Closure
7	Support
8	Horizontal Flat Elbow
9	Vertical Elbow
10	Blank #4 Duct

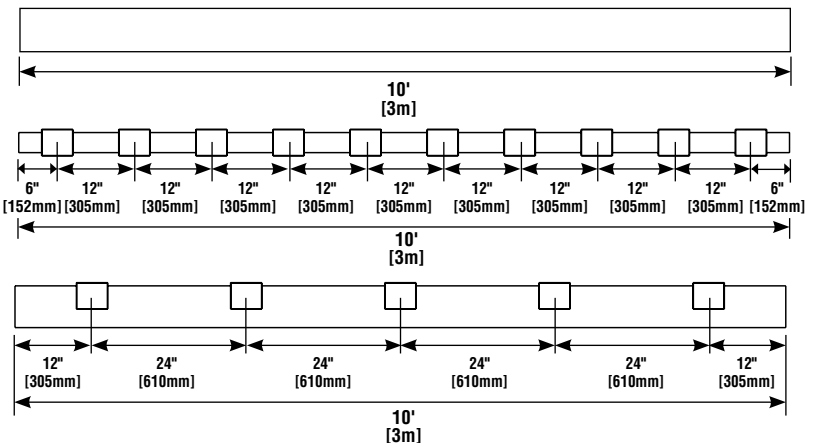
NOTE: Illustration is for showing product applications only.

Walkerduct Pro Series System Accessories

Accessories	12 System	14 System	222 System	224 System	244 System	3222 System	3224 System	3244 System	3424 System	3444 System
Adjustable Support Couplings	SC12-	SC14-	SC222-	SC224-	SC244-	SC3222-	SC3224-	SC3244-	SC3424-	*
Hold-Down Straps	HS12	HS14	HS222	HS224	HS244	HS3222	HS3224	HS3244	HS3424	*
Couplings	302	H302	302	302 H302	H302	302	302 H302	302 H302	302 H302	H302
Duct End Closures	304	H304	304	304 H304	H304	304	304 H304	304 H304	304 H304	H304
Buy America Supports	BA-S12-	BA-S14-	BA-S222-	BA-S224-	BA-S244-	BA-S3222-	BA-S3224-	BA-S3244-	BA-S3424-	
Conduit Adapters	312- 314- 317- 322- 324-	H312- H317- H322-	312- 314- 317- 322- 324-	312- 314- 317- 322- 324- H322- H317- H312-	H312- H317- H322-	312- 314- 317- 322- 324-	312- 314- 317- H317- 322- H322- H312-	312- H312- 314- 317- H317- 322- H322- 324- H312-	312- 314- 317- H317- 322- H322- 324- H312-	H312- H317- H322-
Box Corner Conduit Adapter	255-	255-	255-	255-	255-	255-	255-	255-	255-	255-
Terminal Bushings	334UF	H334	334UF	334UF H334	H334	334UF	334UF H334	334UF H334	334UF H334	H334
Vertical Elbows	332UF	H332	332UF	332UF H332	H332	332UF	332UF H332	332UF H332	332UF H332	H332
Horizontal Elbows (90° & 45°)	338UF 342UF	H338 H342	338UF 342UF	338UF H338 342UF H342	H338 H342	338UF 342UF	338UF H338 342UF H342	338UF H338 342UF H342	338UF H338 342UF H342	H338 H342
Crossunder Offsets	372 375	H372 H375	372 375	372 H372 375 H375	H372 H375	372 375	372 H372 375 H375	372 H372 375 H375	372 H372 375 H375	H372 H375
Expansion Joints	382	H382	382	382 H382	H382	382	382 H382	382 H382	382 H382	H382
Mudcaps	421	421	421	421	421	421	421	421	421	421
Marker Caps	422GR 422RD	422GR 422RD	422GR 422RD	422GR 422RD	422GR 422RD	422GR 422RD	422GR 422RD	422GR 422RD	422GR 422RD	422GR 422RD
Box Opening Closures	203	H203	203	203 H203	H203	203	203 H203	203 H203	203 H203	H203
Box Closure Adapters	—	275SL 275SR	—	275SL 275SR	275SL 275SR	—	275SL 275SR	275SL 275SR	275SL 275SR	275SL 275SR
Sealant	290G	290G	290G	290G	290G	290G	290G	290G	290G	290G
Tile & Carpet Trim/holders	square FT6- CT6-	square FT10- CT10-	square FT10- CT10-	square FT15- CT15-	square FT18- CT18-	square FT15- FT15-	square FT18- FT18-	square FT21- FT21-	square FT21- FT21-	square FT25- FT25-
	round SFCS5- SFCB5-	round SFCS9- SFCB9-	round SFCS9- SFCB9-	round SFCS14- SFCB14-	round SFCS17- SFCB17-	round SFCS14- SFCB14-	round SFCS17- SFCB17-	round SFCS20- SFCB20-	round SFCS20- SFCB20-	round SFCS24- SFCB24-
Junction Box Conduit Adapters	212- 232-	H232-	212- 232-	212- 232- H232-	H232	212 232	212 232 H232	212 232 H232	212 232 H232	H232

NOTE: Part numbers ending in a dash need to have the height adjustment size suffix included when ordering. Please see the individual support product descriptions for this information.

Walkerduct Duct Systems provide wire management for open space environments while maintaining aesthetics because they are buried in the floor, out of sight, and safe from abuse. The duct is designed to be used with Walkerduct Junction Boxes or Trenchduct to create an infloor wire management system. Duct runs provide a range of capacities to suit any situation and to future proof the wire management system. Duct can be used individually or combined with other duct to deliver power and communication services to workstations. Multiple duct runs may be all one size of duct or a mix of sizes. Activations may be located anywhere along the length of the duct to maximize flexibility and accessibility to wiring workstations. Flexibility is only limited by the grid pattern. Walkerduct Duct Systems are designed to be used with power and communications service fittings.



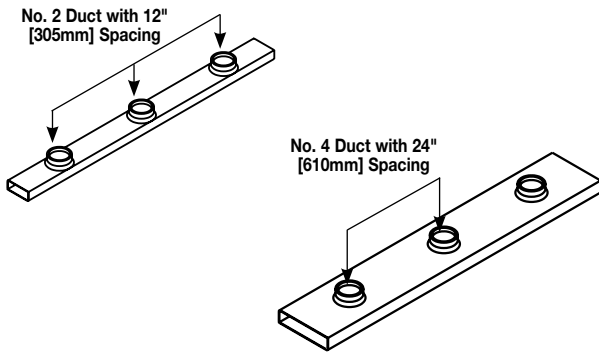
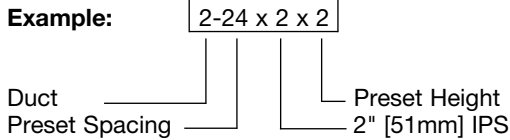
Walkerduct Ordering Information

Catalog No. /Item	Description/Specifications
<p>2-0 No. 2 Duct 4-0 No. 4 Duct</p>	<p>Blank Duct – Used primarily for feeder runs. 10' [3m] standard length. One-piece continuous seam weld construction. 16 gauge [1.5mm] galvanized steel.</p>
<p>D21210 No. 2 Duct, 12" spacing, 1" presets. D21215 No. 2 Duct, 12" spacing, 1 1/2" presets. D21220 No. 2 Duct, 12" spacing, 2" presets. D21225 No. 2 Duct, 12" spacing, 2 1/2" presets. D21230 No. 2 Duct, 12" spacing, 3" presets. D22410 No. 2 Duct, 24" spacing, 1" presets. D22415 No. 2 Duct, 24" spacing, 1 1/2" presets. D22420 No. 2 Duct, 24" spacing, 2" presets. D22425 No. 2 Duct, 24" spacing, 2 1/2" presets. D22430 No. 2 Duct, 24" spacing, 3" presets.</p> <p>D41210 No. 4 Duct, 12" spacing, 1" presets. D41215 No. 4 Duct, 12" spacing, 1 1/2" presets. D41220 No. 4 Duct, 12" spacing, 2" presets. D41225 No. 4 Duct, 12" spacing, 2 1/2" presets. D41230 No. 4 Duct, 12" spacing, 3" presets. D42410 No. 4 Duct, 24" spacing, 1" presets. D42415 No. 4 Duct, 24" spacing, 1 1/2" presets. D42420 No. 4 Duct, 24" spacing, 2" presets. D42425 No. 4 Duct, 24" spacing, 2 1/2" presets. D42430 No. 4 Duct, 24" spacing, 3" presets.</p>	<p>Pro Series Preset Duct – Used for distribution runs. 10' [3m] standard length. One-piece continuous seam weld construction. 16 gauge galvanized steel. Die-cast presets have knockout in base. With knockout removed, the opening size into duct is 3 1/8" x 1 5/8" [79mm x 41mm]. No. 4 duct is punched off center. An alignment clip is included with each pair of presets. This is used to connect presets and prevent movement of presets during concrete pour.</p> <p>Standard preset spacings are 12" [305mm] and 24" [610mm] on center. Preset heights are: 1" [25mm], 1 1/2" [38mm], 2" [51mm], 2 1/2" [64mm], and 3" [76mm]. Presets are sealed with recessed removable mudcap. Preset dimensions are 4 1/8" wide x 4 13/16" long [105mm x 123mm].</p> <div style="border: 1px solid black; padding: 5px; margin: 10px 0;"> <p style="text-align: center; margin: 0;">IMPORTANT!</p> <p style="margin: 0;">Triple-gang flush activations are not compatible with 3244 and 3444 System layouts. Use combination of single- and two-gang activations to access all three ducts at one point.</p> </div> <div style="border: 1px solid black; padding: 5px; margin: 10px 0;"> <p style="text-align: center; margin: 0;">IMPORTANT!</p> <p style="margin: 0;">A minimum 1 1/2" [38mm] preset or afterset is required on Pro Series duct to support standard duplex receptacles and communication devices when using flush activations. The 1" [25mm] preset or afterset should be specified for pedestal style fittings or when cabling will be pulled through the activation point.</p> </div> <p>Service fitting selections for Pro Series preset duct are: 525 Series, Multiplex Series, Pro Series, PSRC9 Series, and Source I Series. See page 17 for more information.</p>
<p>Catalog Numbering System:</p> <p>Example: D21215</p> <p>Duct Preset Height Size of Duct Preset Spacing</p>	<p>421</p> <p>Pro Series Mudcap – Steel replacement cap for preset. Recessed to hold 3/8" [9.5mm] concrete.</p>
<p>422GR (Green) 422RD (Red)</p>	<p>Pro Series Marker Cap – Replaces mudcap on preset to indicate location of the last insert in each run. Select color for each service.</p>
<p>425 1/2" [12.1mm] High 426 1" [25mm] High</p>	<p>Pro Series Preset Extensions – Can be factory or field installed to increase height of presets. Die-cast construction. Attaches with push on metal sleeves (included). 1" [25mm] size can be stacked. 1/2" [12.7mm] size cannot be stacked with another extension on top.</p>
<p>D2075 For No. 2 Duct D4075 For No. 4 Duct</p>	<p>12" Section of Duct with 1" Pro Series Preset and Duct Conduit Hub– For rigid or PVC conduit. Used to provide feed to isolated outlets; maintains 24" [610mm] spacing of presets. Preset height is 1" [25mm]. Add extensions if higher preset needed.</p>

Walkerduct Ordering Information

Catalog No. /Item	Description/Specifications	Description/Specifications
2-12x2x7/8 2-12x2x11/2 2-12x2x2 2-12x2x21/2 2-12x2x3	No. 2 Duct, 12" spacing, 7/8" presets. No. 2 Duct, 12" spacing, 1 1/2" presets. No. 2 Duct, 12" spacing, 2" presets. No. 2 Duct, 12" spacing, 2 1/2" presets. No. 2 Duct, 12" spacing, 3" presets.	<p>IPS Preset Duct – Used for distribution runs. 10' [3m] standard length. One-piece continuous seam weld construction. 16 gauge galvanized steel. Round die-cast presets have inside threads to accept standard connectors.</p> <p>Standard preset spacings are 12" [305mm] and 24" [610mm] on center. Preset heights are 7/8" 1 1/2", 2", 2 1/2" and 3" [22.2mm, 38mm, 51mm, 64mm and 76mm]. Presets are sealed with recessed removable mudcap. Preset inside diameter is 2" [51mm].</p> <p>Service fitting selections for 2" [51mm] IPS preset duct are: 525 Series, Multiplex, and 1200 Series. See page 17 for more information.</p>
2-24x2x7/8 2-24x2x11/2 2-24x2x2 2-24x2x21/2 2-24x2x3	No. 2 Duct, 24" spacing, 7/8" presets. No. 2 Duct, 24" spacing, 1 1/2" presets. No. 2 Duct, 24" spacing, 2" presets. No. 2 Duct, 24" spacing, 2 1/2" presets. No. 2 Duct, 24" spacing, 3" presets.	
4-12x2x7/8 4-12x2x11/2 4-12x2x2 4-12x2x21/2 4-12x2x3	No. 4 Duct, 12" spacing, 7/8" presets. No. 4 Duct, 12" spacing, 1 1/2" presets. No. 4 Duct, 12" spacing, 2" presets. No. 4 Duct, 12" spacing, 2 1/2" presets. No. 4 Duct, 12" spacing, 3" presets.	
4-24x2x7/8 4-24x2x11/2 4-24x2x2 4-24x2x21/2 4-24x2x3	No. 4 Duct, 24" spacing, 7/8" presets. No. 4 Duct, 24" spacing, 1 1/2" presets. No. 4 Duct, 24" spacing, 2" presets. No. 4 Duct, 24" spacing, 2 1/2" presets. No. 4 Duct, 24" spacing, 3" presets.	

Catalog Numbering System:



CABLE/WIRE SIZE	O.D.		AREA (SQ IN)		40% FILL*	
	Inches	[mm]	Inches	[mm]	NO. 2 DUCT	NO. 4 DUCT
UNSHIELDED TWISTED PAIR						
4-PAIR, 24 AWG CAT 5	.220	[5.6]	.038	[24.5]	36	91
4-PAIR, 24 AWG CAT 6	.250	[6.4]	.049	[31.7]	27	71
TELEPHONE						
2-PAIR, 24 AWG	.140	[3.6]	.015	[9.9]	89	232
4-PAIR, 24 AWG	.190	[4.8]	.028	[18.1]	47	124
25-PAIR, 24 AWG	.410	[10.4]	.132	[85.2]	10	26
COAXIAL						
RG58/U	.195	[4.9]	.030	[19.4]	44	116
RG59/U	.242	[6.1]	.046	[29.7]	29	75
RG6/U	.270	[6.8]	.057	[36.8]	23	61
SHIELDED TWISTED PAIR						
TYPE 1	.390	[9.9]	.119	[76.8]	11	29
TYPE 2	.465	[11.8]	.170	[109.7]	7	20
TYPE 3	.245	[6.2]	.047	[30.3]	28	74
FIBER OPTIC						
2-STRAND	.180	[4.6]	.025	[16.1]	53	139
4-STRAND	.190	[4.8]	.028	[18.1]	47	124
6-STRAND	.210	[5.3]	.035	[22.6]	38	99
FIBER ZIPCORDER	.110	[2.8]	.010	[6.5]	133	348
THHN WIRE						
#14	0.111	[2.8]	.0097	[6.3]	137	359
#12	0.130	[3.3]	.0133	[8.6]	100	262
#10	0.164	[4.2]	.0211	[13.6]	63	165
# 8	0.216	[5.5]	.0366	[23.6]	36	95
# 6	0.254	[6.5]	.0507	[32.7]	26	68
# 4	0.324	[8.2]	.0824	[53.2]	16	42

*40% cable fill is the maximum cable allowed by NEC.

404			<p>IPS Mudcap – Steel replacement cap for 2" [51mm] IPS preset. Recessed to hold 3/8" [9.5mm] concrete.</p>
415B 415N	(Brass) (Steel)		<p>IPS Marker Cap – Replaces mudcap on preset to indicate location of run. NEC requires markers to locate the last preset in each run. Select color for each service.</p>
317-3/4-* H317-3/4-*	For No. 2 Duct For No. 4 Duct		<p>2' [610mm] Section of Duct with IPS Preset and 3/4" [19.1mm] Conduit Hub – For rigid or PVC conduit. Used to provide feed to isolated outlets; maintains 24" [610mm] spacing of presets. Heights from 7/8" [22.2mm] to 3 1/2" [89mm]. *Specify preset height.</p>

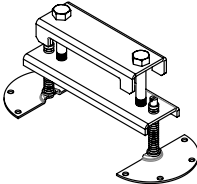
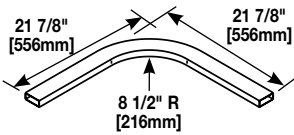
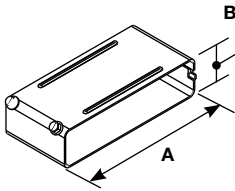
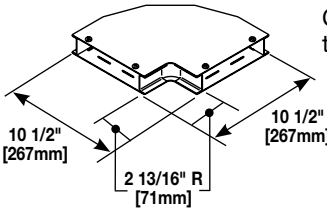
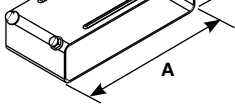
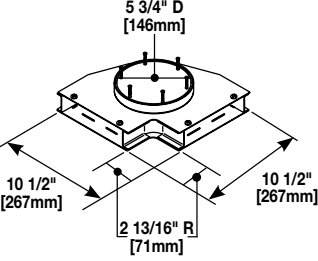
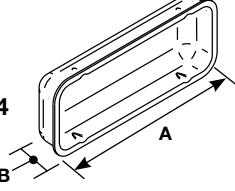
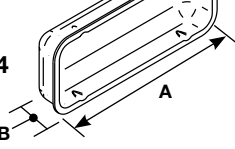
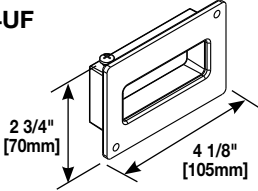
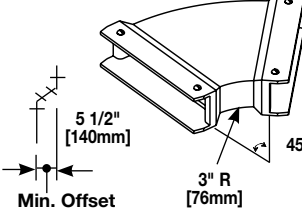
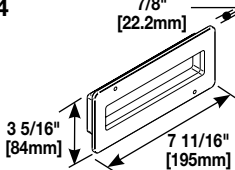
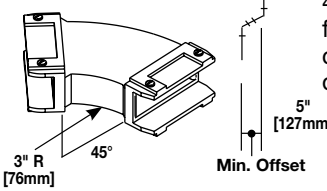
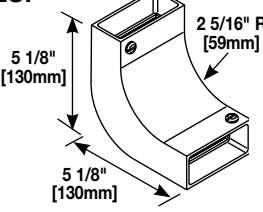
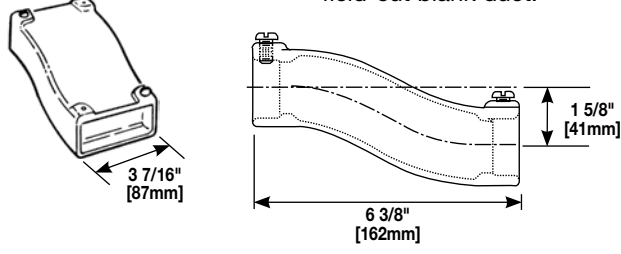
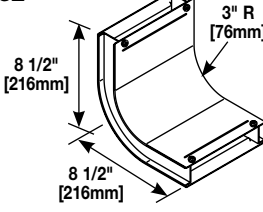
Support Couplings Ordering Information

Catalog No./Item	Description/Specifications																																							
SC12 For one No. 2 Duct SC14 For one No. 4 Duct SC222 For two No. 2 Ducts SC224 For one No. 2 Duct and one No. 4 Duct SC244 For two No. 4 Ducts SC3222 For three No. 2 Ducts SC3224 For two No. 2 Ducts and one No. 4 Duct SC3244 For one No. 2 Duct and two No. 4 Ducts SC3424 For two No. 4 Ducts and one No. 2 Duct (No. 2 Duct in center)	<p>Adjustable Duct Supports with Built-In Couplings – To support, couple, and hold duct in place before and during concrete pour. Steel construction. Leveling screws provide vertical adjustment. Different leg heights available. Supports may be fastened to form or to slab through holes in the feet. Top members maintain 1" [25mm] spacing between ducts. Locate duct supports on approximately 5' [1.5m] intervals.</p>																																							
<table border="1" style="width: 100%; border-collapse: collapse;"> <thead> <tr> <th>Cat No.</th> <th colspan="2">DIMENSION "E"</th> </tr> <tr> <th></th> <th>Inches</th> <th>[mm]</th> </tr> </thead> <tbody> <tr><td>SC12</td><td>8.125</td><td>[206mm]</td></tr> <tr><td>SC14</td><td>11.500</td><td>[292mm]</td></tr> <tr><td>SC222</td><td>12.250</td><td>[311mm]</td></tr> <tr><td>SC224</td><td>15.625</td><td>[396mm]</td></tr> <tr><td>SC244</td><td>19.000</td><td>[482mm]</td></tr> <tr><td>SC3222</td><td>16.375</td><td>[415mm]</td></tr> <tr><td>SC3224</td><td>19.750</td><td>[501mm]</td></tr> <tr><td>SC3242</td><td>19.750</td><td>[501mm]</td></tr> <tr><td>SC3244</td><td>23.125</td><td>[587mm]</td></tr> <tr><td>SC3444</td><td>26.500</td><td>[673mm]</td></tr> <tr><td>SC42222</td><td>20.500</td><td>[520mm]</td></tr> </tbody> </table>	Cat No.	DIMENSION "E"			Inches	[mm]	SC12	8.125	[206mm]	SC14	11.500	[292mm]	SC222	12.250	[311mm]	SC224	15.625	[396mm]	SC244	19.000	[482mm]	SC3222	16.375	[415mm]	SC3224	19.750	[501mm]	SC3242	19.750	[501mm]	SC3244	23.125	[587mm]	SC3444	26.500	[673mm]	SC42222	20.500	[520mm]	<div style="border: 1px solid black; padding: 5px; width: fit-content;"> <p style="text-align: center;">How to Determine Correct Support Heights</p> <p>A Height of preset. B Height of duct. C Distance from bottom of duct to form or slab. This dimension is the correct support height. D Distance between finished concrete floor line and floor slab. This dimension is the sum total of A, B, and C. Support Height (C) = D - (A and B)</p> </div> <p>NOTE: Recommend minimum of 3" [76mm] clearance space on each side of duct support (E dimension) for concrete placement.</p>
Cat No.	DIMENSION "E"																																							
	Inches	[mm]																																						
SC12	8.125	[206mm]																																						
SC14	11.500	[292mm]																																						
SC222	12.250	[311mm]																																						
SC224	15.625	[396mm]																																						
SC244	19.000	[482mm]																																						
SC3222	16.375	[415mm]																																						
SC3224	19.750	[501mm]																																						
SC3242	19.750	[501mm]																																						
SC3244	23.125	[587mm]																																						
SC3444	26.500	[673mm]																																						
SC42222	20.500	[520mm]																																						
<table border="1" style="width: 100%; border-collapse: collapse;"> <thead> <tr> <th>*Cat. No. Suffix</th> <th colspan="2">Height Adjustment</th> </tr> </thead> <tbody> <tr> <td>-18</td> <td>1/2" [12.7mm] to 1 7/8" [48mm]</td> <td></td> </tr> <tr> <td>-33</td> <td>1 1/2" [38mm] to 3 3/4" [95mm]</td> <td></td> </tr> <tr> <td>-48</td> <td>3" [76mm] to 4 7/8" [124mm]</td> <td></td> </tr> </tbody> </table> <p>Duct supports for deeper pours are available through the factory.</p>	*Cat. No. Suffix	Height Adjustment		-18	1/2" [12.7mm] to 1 7/8" [48mm]		-33	1 1/2" [38mm] to 3 3/4" [95mm]		-48	3" [76mm] to 4 7/8" [124mm]		<p>Catalog Numbering System: Example: SC3244</p> <p>Support No. of Ducts in System _____ Duct Size and Orientation _____</p>																											
*Cat. No. Suffix	Height Adjustment																																							
-18	1/2" [12.7mm] to 1 7/8" [48mm]																																							
-33	1 1/2" [38mm] to 3 3/4" [95mm]																																							
-48	3" [76mm] to 4 7/8" [124mm]																																							

Hold-Down Straps Ordering Information

Catalog No./Item	Description/Specifications																														
HS12 For one No. 2 Duct HS14 For one No. 4 Duct HS222 For two No. 2 Ducts HS224 For one No. 2 Duct and one No. 4 Duct HS244 For two No. 4 Ducts HS3222 For three No. 2 Ducts HS3224 For two No. 2 Ducts and one No. 4 Duct HS3244 For one No. 2 Duct and two No. 4 Ducts HS3424 For two No. 4 Ducts with one No. 2 Duct in center	<p>Hold-Down Straps – To fasten ducts to the slab in shallow concrete. Used in place of duct supports. Straps maintain 1" [25mm] spacing between ducts on multiple duct runs and prevent duct from floating during concrete pour. Attaches to slab with stakes or drive pins (not included). Locate hold-down straps on approximate 5' [1.5m] centers.</p>																														
<table border="1" style="width: 100%; border-collapse: collapse;"> <thead> <tr> <th>ITEM</th> <th colspan="2">"E" DIMENSION</th> </tr> </thead> <tbody> <tr><td>HS12</td><td>5 3/16"</td><td>[132mm]</td></tr> <tr><td>HS14</td><td>8 1/16"</td><td>[205mm]</td></tr> <tr><td>HS222</td><td>10 5/8"</td><td>[270mm]</td></tr> <tr><td>HS224</td><td>14"</td><td>[356mm]</td></tr> <tr><td>HS244</td><td>17 3/8"</td><td>[448mm]</td></tr> <tr><td>HS3222</td><td>14 13/16"</td><td>[376mm]</td></tr> <tr><td>HS3224</td><td>18 3/16"</td><td>[462mm]</td></tr> <tr><td>HS3244</td><td>21 9/16"</td><td>[548mm]</td></tr> <tr><td>HS3424</td><td>21 9/16"</td><td>[548mm]</td></tr> </tbody> </table>	ITEM	"E" DIMENSION		HS12	5 3/16"	[132mm]	HS14	8 1/16"	[205mm]	HS222	10 5/8"	[270mm]	HS224	14"	[356mm]	HS244	17 3/8"	[448mm]	HS3222	14 13/16"	[376mm]	HS3224	18 3/16"	[462mm]	HS3244	21 9/16"	[548mm]	HS3424	21 9/16"	[548mm]	<p>No. 2 Duct strap is 1 1/4" H [32mm]; No. 4 Duct strap is 1 1/2" H [38mm]; Straps have a maximum width of 1 1/4" [32mm].</p>
ITEM	"E" DIMENSION																														
HS12	5 3/16"	[132mm]																													
HS14	8 1/16"	[205mm]																													
HS222	10 5/8"	[270mm]																													
HS224	14"	[356mm]																													
HS244	17 3/8"	[448mm]																													
HS3222	14 13/16"	[376mm]																													
HS3224	18 3/16"	[462mm]																													
HS3244	21 9/16"	[548mm]																													
HS3424	21 9/16"	[548mm]																													

Duct Closures, Elbows and Offsets Ordering Information

Catalog No./Item	Description/Specifications	Catalog No./Item	Description/Specifications
<p>BA-S12 BA-S14 BA-S222 BA-S224 BA-S244 BA-S3222 BA-S3224 BA-S3244 BA-S3424</p> 	<p>Adjustable Duct Support – Adjustable Duct Supports are used to hold the duct securely in place before and during the concrete pour. Unlike the SC Series Support Couplings, they must be used with a separate Coupling. Locate duct supports on approximately 5' [1.5m] intervals. Select coupling 302 for #2 duct and H302 for #4 duct.</p>	<p>338UF</p> 	<p>90° Horizontal Elbow – Creates 90° horizontal turn in No. 2 Duct.</p>
<p>302</p> 	<p>Coupling – To couple two No. 2 Ducts. A = 3 1/4" [83mm]; B = 1 3/8" [38mm].</p>	<p>H338</p> 	<p>90° Horizontal Elbow – Creates 90° horizontal turn in No. 4 Duct.</p>
<p>H302</p> 	<p>Coupling – To couple two No. 4 Ducts. A = 6 9/16" [167mm]; B = 1 9/16" [40mm].</p>	<p>H338AU-1</p> 	<p>90° Horizontal Elbow with Access Unit – Used to make 90° horizontal turn in No. 4 Duct. Access cover can be removed to facilitate wire pulling. For concrete pours over 1" [25mm] an extension ring is required. See Cat. No. 6AER- rings on page 9.</p>
<p>304</p> 	<p>Duct End Plug – To seal end of No. 2 Duct. A = 3 1/8" [79mm]; B = 1 1/4" [32mm].</p>	<p>H304</p> 	<p>Duct End Plug – To seal end of No. 4 Duct. A = 6 1/2" [165mm]; B = 1 1/2" [38mm].</p>
<p>334UF</p> 	<p>Panel Connector – Secures No. 2 Duct to cabinet.</p>	<p>H342</p> 	<p>Adjustable Horizontal Elbow – No. 4 Duct elbow angled for 45° turn. Angle may be varied from 22 1/2° to 67 1/2° by cutting duct ends at different angles.</p>
<p>H334</p> 	<p>Panel Connector – Secures No. 4 Duct to cabinet.</p>	<p>342UF</p> 	<p>Adjustable Horizontal Elbow – No. 2 Duct elbow angled for 45° turn. Angle may be varied from 22 1/2° to 67 1/2° by cutting duct ends at different angles.</p>
<p>332UF</p> 	<p>90° Vertical Elbow – Creates 90° vertical turn in No. 2 Duct.</p>	<p>372 For No. 2 Duct H372 For No. 4 Duct</p> 	<p>Offset – Used to raise or lower a run of duct by 1 5/8" [41mm]. Two required for crossunders. Used with field-cut blank duct.</p>
<p>H332</p> 	<p>90° Vertical Elbow – Creates 90° vertical turn in No. 4 Duct.</p>		

Duct Closures, Elbows and Offsets Ordering Information (Continued)

Catalog No./Item	Description/Specifications		
375 For No. 2 Duct H375 For No. 4 Duct	Variable Offset – Used to raise or lower a run of duct from 5/16" [7.9mm] to 3 1/2" [89mm]. Field cut duct based on chart below.		
FOR OFFSET	DUCT CUT (LENGTH)	FOR OFFSET	DUCT CUT (LENGTH)
5/16" [7.9mm]	1 3/8" [35mm]	1" [25mm]	5 3/8" [137mm]
3/8" [9.5mm]	1 3/4" [44mm]	1 1/4" [32mm]	6 13/16" [173mm]
7/16" [11.1mm]	2 1/8" [54mm]	1 1/2" [38mm]	8 1/4" [210mm]
1/2" [12.7mm]	2 1/2" [64mm]	1 3/4" [45mm]	9 11/16" [246mm]
9/16" [14.3mm]	2 7/8" [73mm]	2" [51mm]	11 1/4" [286mm]
5/8" [15.9mm]	3 1/4" [83mm]	2 1/4" [57mm]	12 9/16" [319mm]
11/16" [17.5mm]	3 1/2" [89mm]	2 1/2" [64mm]	14" [356mm]
3/4" [19.1mm]	3 7/8" [98mm]	2 3/4" [70mm]	15 7/16" [392mm]
13/16" [20.6mm]	4 1/4" [108mm]	3" [76mm]	16 7/8" [429mm]
7/8" [22.2mm]	4 5/8" [118mm]	3 1/4" [83mm]	18 5/16" [465mm]
15/16" [23.8mm]	5" [127mm]	3 1/2" [89mm]	19 3/4" [502mm]

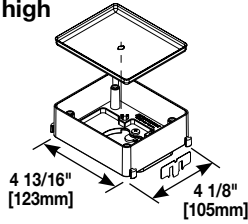
Catalog No./Item	Description/Specifications
300-4	Adapter Coupling – Couples No. 2 Duct to No. 4 Duct.
382 For No. 2 Duct H382 For No. 4 Duct	Expansion Joint Sleeves – Slip over two sections of duct. Outside screws fasten and ground sleeves to duct. Amount of expansion is determined by gap allowed between duct sections.

Duct Conduit Adapters Ordering Information

Catalog No./Item	Description/Specifications	Catalog No./Item	Description/Specifications
312-3/4 [19.1mm] -1 [25mm] -11/4 [32mm] -11/2 [38mm] -2 [51mm]	Female Conduit Adapter – Fits on outside of No. 2 Duct. For one rigid or PVC conduit.	324-3/4 3" [76mm]	Male Conduit Adapter – Fits into end of No. 2 Duct. For two 3/4" trade size rigid or PVC conduits.
314-3/4	Male Conduit Adapter – Fits into end of No. 2 Duct. For one 3/4" trade size rigid or PVC conduit.	H312-3/4 [19.1mm] -1 [25mm] -11/4 [32mm] -11/2 [38mm] -2 [51mm]	Female Conduit Adapter – Fits on outside of No. 4 Duct. For one rigid or PVC conduit. H322-11/2 with one opening plugged is used for H312-11/2.
322-11/4 [32mm] -11/2 [38mm]	Female Conduit Adapter – Fits on outside of No. 2 Duct. For two rigid or PVC conduits. Suffix indicates conduit trade size.	H322-1 [25mm] -11/4 [32mm] -11/2 [38mm] -2 [51mm]	Female Conduit Adapter – Fits on outside of No. 4 Duct. For two rigid or PVC conduits. Suffix indicates conduit trade size.

Aftersets Ordering Information

Catalog No./Item	Description/Specifications																								
<table style="width: 100%; border-collapse: collapse;"> <tr> <td style="width: 10%;">4210</td> <td style="width: 10%;">1"</td> <td style="width: 10%;">[25mm]</td> <td style="width: 10%;">high</td> </tr> <tr> <td>4215</td> <td>1 1/2"</td> <td>[38mm]</td> <td>high</td> </tr> <tr> <td>4220</td> <td>2"</td> <td>[51mm]</td> <td>high</td> </tr> <tr> <td>4225</td> <td>2 1/2"</td> <td>[64mm]</td> <td>high</td> </tr> <tr> <td>4230</td> <td>3"</td> <td>[76mm]</td> <td>high</td> </tr> <tr> <td>4235</td> <td>3 1/2"</td> <td>[89mm]</td> <td>high</td> </tr> </table>	4210	1"	[25mm]	high	4215	1 1/2"	[38mm]	high	4220	2"	[51mm]	high	4225	2 1/2"	[64mm]	high	4230	3"	[76mm]	high	4235	3 1/2"	[89mm]	high	<p>Afterset – Installed either before or after concrete pour to create activation from duct. Requires 6 1/2" [165mm] core drilled hole in concrete and 2 1/2" [64mm] diameter hole in duct. Requires grout fill around afterset to fill voids in 6 1/2" [165mm] hole. Attaches to duct with locking tabs. Extensions can be attached to increase height. Aftersets are gangable. Alignment clip and mudcap included. All Pro Series activations fit on afterset. See ED850 and ED667.</p> <div style="border: 1px solid black; padding: 5px; margin-top: 10px;"> <p style="text-align: center; margin: 0;">IMPORTANT!</p> <p style="margin: 0;">A minimum 1 1/2" [38mm] preset or afterset is required on Pro Series duct to support standard duplex receptacles and communication devices when using flush activations. The 1" [25mm] preset or afterset should be specified for pedestal style fittings or when cabling will be pulled through the activation point.</p> </div>
4210	1"	[25mm]	high																						
4215	1 1/2"	[38mm]	high																						
4220	2"	[51mm]	high																						
4225	2 1/2"	[64mm]	high																						
4230	3"	[76mm]	high																						
4235	3 1/2"	[89mm]	high																						



<table style="width: 100%; border-collapse: collapse;"> <tr> <td style="width: 10%;">436-2-7/8</td> <td style="width: 10%;">7/8"</td> <td style="width: 10%;">[22.2mm]</td> <td style="width: 10%;">high</td> </tr> <tr> <td>-2-1 1/2</td> <td>1 1/2"</td> <td>[38mm]</td> <td>high</td> </tr> <tr> <td>-2-2-2</td> <td>2"</td> <td>[51mm]</td> <td>high</td> </tr> <tr> <td>-2-2 3/8</td> <td>2 3/8"</td> <td>[64mm]</td> <td>high</td> </tr> <tr> <td>-2-3</td> <td>3"</td> <td>[76mm]</td> <td>high</td> </tr> </table>	436-2-7/8	7/8"	[22.2mm]	high	-2-1 1/2	1 1/2"	[38mm]	high	-2-2-2	2"	[51mm]	high	-2-2 3/8	2 3/8"	[64mm]	high	-2-3	3"	[76mm]	high	<p>Round Afterset – Installed either before or after concrete pour to create activation from duct. Requires 2 1/2" [64mm] core drilled hole in concrete and 2 1/4" [57mm] diameter hole in duct. Attaches to duct with locking tabs. Extensions can be attached to increase height.</p>	
436-2-7/8	7/8"	[22.2mm]	high																			
-2-1 1/2	1 1/2"	[38mm]	high																			
-2-2-2	2"	[51mm]	high																			
-2-2 3/8	2 3/8"	[64mm]	high																			
-2-3	3"	[76mm]	high																			

Walkerduct Junction Boxes Ordering Information

Purpose:

Junction boxes are used at intersections of duct runs to:

- To separate the various raceways as they cross each other.
- To furnish access to the system for pulling and splicing of wires.
- To provide means of connecting the system to distribution closets with duct or conduit home runs.

Construction Features:

Openings are provided in the four sides to receive from one to five ducts, which are secured by grounding clips. Corner openings provide conduit feeds. The interiors of the boxes have partitions which completely separate each duct and at the same time form a continuous path through the box in both directions. No partitions are needed for single run boxes. Most partitions are removable and their orientation can be changed to correct installation errors. For precise leveling after the pour, cover plates can be adjusted upward 1/2" [12.7mm] with the recessed screws in the cover plate.

Standard boxes are designed for use with duct having 1" [25mm] high presets. Boxes with higher side rails in 1/2" [12.7mm] increments can be furnished for systems requiring higher presets. Cover plates are 1/4" [6.4mm] thick. Junction boxes are provided with nonmetallic corner inserts to provide controlled cable bend radius around the tunneling inside the box (see diagram). They should be snapped into place before wire placement. Brass or stainless steel holders for tile and carpet can be used on top of the round cover plates. Square junction boxes include aluminum trim for carpet or tile applications.

Heavy duty junction boxes are used where heavy loads will be rolled over or placed on the system. These are constructed with a 3/8" [9.5mm] cover plate and additional support studs. Up to 5/8" [15.9mm] concrete recommended over presets for heavy loads. Minimum heavy duty junction box height is 1 1/2" [38mm].

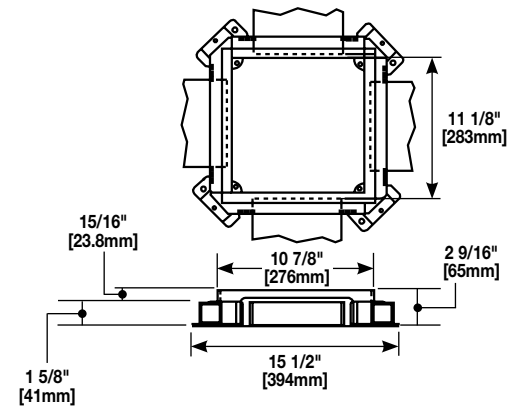
Item	Catalog No./Description/Specifications	Junction Box – One No. 2 Duct per side. No interior partitioning. Square cover plate measures 6 3/4" x 6 3/4" [171mm x 171mm]. Diameter of round cover plate is 4.813" [122mm]. Specify suffix.														
	12JS-* (square cover plate) 12JR-* (round cover plate)															
	12HS-* Heavy duty (square) 12HR-* Heavy duty (round)															
	<table border="1" style="width: 100%; border-collapse: collapse;"> <thead> <tr> <th>*SUFFIX FOR JUNCTION BOXES</th> <th>DEPTH OF CONCRETE OVER DUCT</th> </tr> </thead> <tbody> <tr> <td>1</td> <td>1" [25mm] min. to 1 1/2" [35mm] max.</td> </tr> <tr> <td>1 1/2</td> <td>1 1/2" [38mm] min. to 2" [51mm] max.</td> </tr> <tr> <td>2</td> <td>2" [51mm] min. to 2 1/2" [62mm] max.</td> </tr> <tr> <td>2 1/2</td> <td>2 1/2" [64mm] min. to 3" [76mm] max.</td> </tr> <tr> <td>3</td> <td>3" [76mm] min. to 3 1/2" [89mm] max.</td> </tr> <tr> <td>3 1/2</td> <td>3 1/2" [89mm] min. to 4" [102mm] max.</td> </tr> </tbody> </table>	*SUFFIX FOR JUNCTION BOXES	DEPTH OF CONCRETE OVER DUCT	1	1" [25mm] min. to 1 1/2" [35mm] max.	1 1/2	1 1/2" [38mm] min. to 2" [51mm] max.	2	2" [51mm] min. to 2 1/2" [62mm] max.	2 1/2	2 1/2" [64mm] min. to 3" [76mm] max.	3	3" [76mm] min. to 3 1/2" [89mm] max.	3 1/2	3 1/2" [89mm] min. to 4" [102mm] max.	
*SUFFIX FOR JUNCTION BOXES	DEPTH OF CONCRETE OVER DUCT															
1	1" [25mm] min. to 1 1/2" [35mm] max.															
1 1/2	1 1/2" [38mm] min. to 2" [51mm] max.															
2	2" [51mm] min. to 2 1/2" [62mm] max.															
2 1/2	2 1/2" [64mm] min. to 3" [76mm] max.															
3	3" [76mm] min. to 3 1/2" [89mm] max.															
3 1/2	3 1/2" [89mm] min. to 4" [102mm] max.															

*Other junction box heights are available. Consult factory for availability.

Walkerduct Junction Boxes Ordering Information (Continued)

Item

Catalog No./Description/Specification



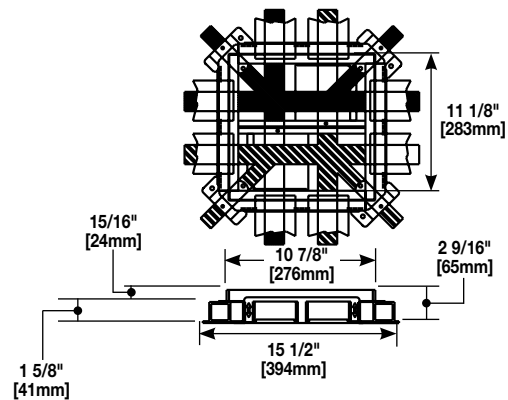
14JS-* (square cover plate)
14JR-* (round cover plate)

14HS-* Heavy Duty (square)
14HR-* Heavy Duty (round)

Junction Box – One No. 4 duct per side. No interior partitioning. Square cover plate measures 10 7/8" x 10 7/8" [276mm x 276mm]. Diameter of round cover plate is 8.948" [227mm]. Specify suffix.

*SUFFIX FOR JUNCTION BOXES	DEPTH OF CONCRETE OVER DUCT
1	1" [25mm] min. to 1 1/2" [35mm] max.
1 1/2	1 1/2" [38mm] min. to 2" [51mm] max.
2	2" [51mm] min. to 2 1/2" [62mm] max.
2 1/2	2 1/2" [64mm] min. to 3" [76mm] max.
3	3" [76mm] min. to 3 1/2" [89mm] max.
3 1/2	3 1/2" [89mm] min. to 4" [102mm] max.

*Other junction box heights are available. Consult factory for availability.



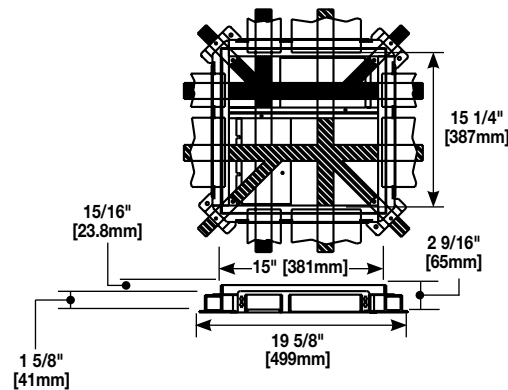
222JS-* (square cover plate)
222JR-* (round cover plate)

222HS-* Heavy Duty (square)
222HR-* Heavy Duty (round)

Junction Box – Two No. 2 ducts per side. Square cover plate measures 10 7/8" x 10 7/8" [276mm x 276mm]. Diameter of round cover plate is 8.948" [227mm]. Specify suffix.

*SUFFIX FOR JUNCTION BOXES	DEPTH OF CONCRETE OVER DUCT
1	1" [25mm] min. to 1 1/2" [35mm] max.
1 1/2	1 1/2" [38mm] min. to 2" [51mm] max.
2	2" [51mm] min. to 2 1/2" [62mm] max.
2 1/2	2 1/2" [64mm] min. to 3" [76mm] max.
3	3" [76mm] min. to 3 1/2" [89mm] max.
3 1/2	3 1/2" [89mm] min. to 4" [102mm] max.

*Other junction box heights are available. Consult factory for availability.



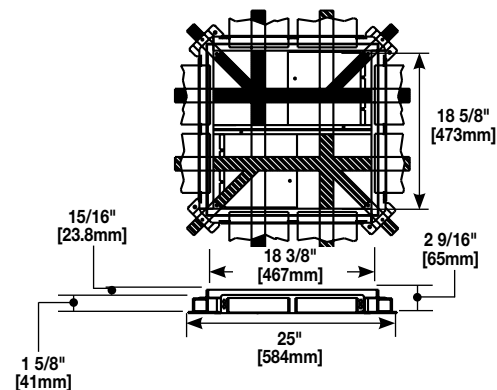
224JS-* (square cover plate)
224JR-* (round cover plate)

224HS-* Heavy Duty (square)
224HR-* Heavy Duty (round)

Junction Box – One No. 2 duct and one No. 4 duct per side. Square cover plate measures 15" x 15" [381mm x 381mm]. Diameter of round cover plate is 13.063" [332mm]. Specify suffix.

*SUFFIX FOR JUNCTION BOXES	DEPTH OF CONCRETE OVER DUCT
1	1" [25mm] min. to 1 1/2" [35mm] max.
1 1/2	1 1/2" [38mm] min. to 2" [51mm] max.
2	2" [51mm] min. to 2 1/2" [62mm] max.
2 1/2	2 1/2" [64mm] min. to 3" [76mm] max.
3	3" [76mm] min. to 3 1/2" [89mm] max.
3 1/2	3 1/2" [89mm] min. to 4" [102mm] max.

*Other junction box heights are available. Consult factory for availability.



244JS-* (square cover plate)
244JR-* (round cover plate)

244HS-* Heavy Duty (square)
244HR-* Heavy Duty (round)

Junction Box – Two No. 4 ducts per side. Square cover plate measures 18 3/8" x 18 3/8" [467mm x 467mm]. Diameter of round cover plate is 16.438" [418mm]. Specify suffix.

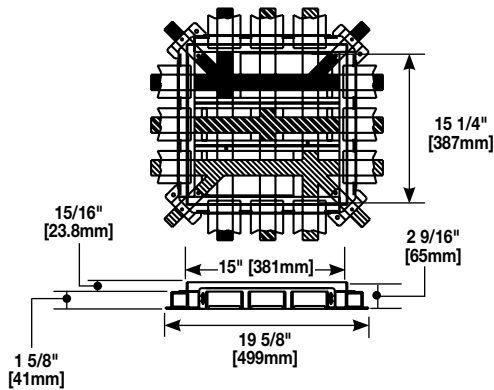
*SUFFIX FOR JUNCTION BOXES	DEPTH OF CONCRETE OVER DUCT
1	1" [25mm] min. to 1 1/2" [35mm] max.
1 1/2	1 1/2" [38mm] min. to 2" [51mm] max.
2	2" [51mm] min. to 2 1/2" [62mm] max.
2 1/2	2 1/2" [64mm] min. to 3" [76mm] max.
3	3" [76mm] min. to 3 1/2" [89mm] max.
3 1/2	3 1/2" [89mm] min. to 4" [102mm] max.

*Other junction box heights are available. Consult factory for availability.

Walkerduct Junction Boxes Ordering Information (Continued)

Item

Catalog No./Description/Specifications

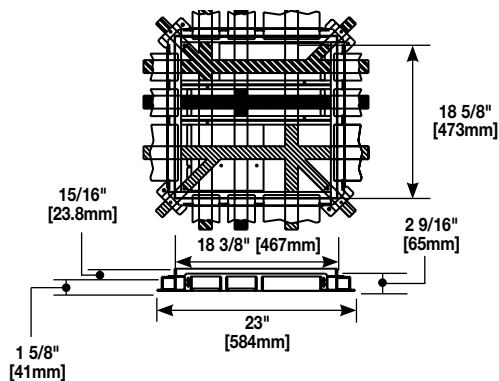


3222JS-* (square cover plate)
3222JR-* (round cover plate)
3222HS-* Heavy Duty (square)
3222HR-* Heavy Duty (round)

Junction Box – Three No. 2 Ducts per side. Square cover plate measures 15" x 15" [381mm x 381mm]. Diameter of round cover plate is 13.063" [332mm]. Specify suffix.

*SUFFIX FOR JUNCTION BOXES	DEPTH OF CONCRETE OVER DUCT
1	1" [25mm] min. to 1 1/2" [35mm] max.
1 1/2	1 1/2" [38mm] min. to 2" [51mm] max.
2	2" [51mm] min. to 2 1/2" [62mm] max.
2 1/2	2 1/2" [64mm] min. to 3" [76mm] max.
3	3" [76mm] min. to 3 1/2" [89mm] max.
3 1/2	3 1/2" [89mm] min. to 4" [102mm] max.

*Other junction box heights are available. Consult factory for availability.

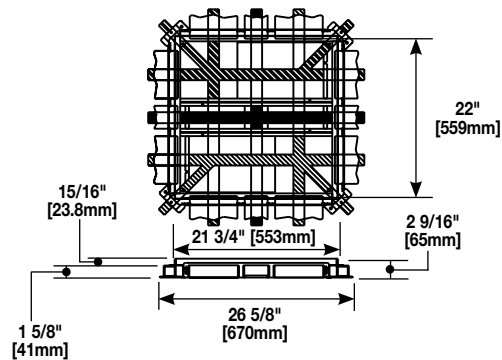


3224JS-* (square cover plate)
3224JR-* (round cover plate)
3224HS-* Heavy Duty (square)
3224HR-* Heavy Duty (round)

Junction Box – Two No. 2 Ducts and one No. 4 duct per side. Square cover plate measures 18 3/8" x 18 3/8" [467mm x 467mm]. Diameter of round cover plate is 16.438" [418mm]. Specify suffix.

*SUFFIX FOR JUNCTION BOXES	DEPTH OF CONCRETE OVER DUCT
1	1" [25mm] min. to 1 1/2" [35mm] max.
1 1/2	1 1/2" [38mm] min. to 2" [51mm] max.
2	2" [51mm] min. to 2 1/2" [62mm] max.
2 1/2	2 1/2" [64mm] min. to 3" [76mm] max.
3	3" [76mm] min. to 3 1/2" [89mm] max.
3 1/2	3 1/2" [89mm] min. to 4" [102mm] max.

*Other junction box heights are available. Consult factory for availability.

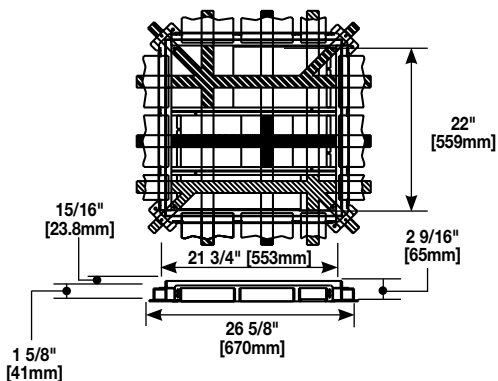


3424JS-* (square cover plate)
3424JR-* (round cover plate)
3424HS-* Heavy Duty (square)
3424HR-* Heavy Duty (round)

Junction Box – Two No. 4 Ducts and one No. 2 Duct per side. The No. 2 Duct is centered between the two No. 4 Ducts. Square cover plate measures 21 3/4" x 21 3/4" [553mm x 553mm]. Diameter of round cover plate is 19.813" [503mm]. Specify suffix.

*SUFFIX FOR JUNCTION BOXES	DEPTH OF CONCRETE OVER DUCT
1	1" [25mm] min. to 1 1/2" [35mm] max.
1 1/2	1 1/2" [38mm] min. to 2" [51mm] max.
2	2" [51mm] min. to 2 1/2" [62mm] max.
2 1/2	2 1/2" [64mm] min. to 3" [76mm] max.
3	3" [76mm] min. to 3 1/2" [89mm] max.
3 1/2	3 1/2" [89mm] min. to 4" [102mm] max.

*Other junction box heights are available. Consult factory for availability.



3244JS-* (square cover plate)
3244JR-* (round cover plate)
3244HS-* Heavy Duty (square)
3244HR-* Heavy Duty (round)

Junction Box – One No. 2 Duct and two No. 4 Ducts per side. Square cover plate measures 21 3/4" x 21 3/4" [553mm x 553mm]. Diameter of round cover plate is 19.813". [503mm]. Specify suffix.

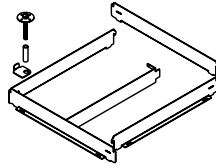
*SUFFIX FOR JUNCTION BOXES	DEPTH OF CONCRETE OVER DUCT
1	1" [25mm] min. to 1 1/2" [35mm] max.
1 1/2	1 1/2" [38mm] min. to 2" [51mm] max.
2	2" [51mm] min. to 2 1/2" [62mm] max.
2 1/2	2 1/2" [64mm] min. to 3" [76mm] max.
3	3" [76mm] min. to 3 1/2" [89mm] max.
3 1/2	3 1/2" [89mm] min. to 4" [102mm] max.

*Other junction box heights are available. Consult factory for availability.

Junction Box Accessories Ordering Information

Catalog No./Item

- 12EXT-*** For 12 size boxes
- 222EXT-*** For 14 or 222 size boxes
- 3222EXT-*** For 224 or 3222 size boxes
- 3224EXT-*** For 244 or 3224 size boxes
- 3244EXT-*** For 3424 or 3244 size boxes



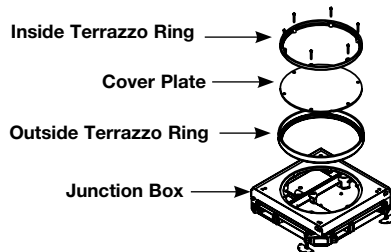
Description/Specifications

Side Rail Extension – Kit to adapt JS, JR, HS, and HR style junction boxes for deep concrete pours.

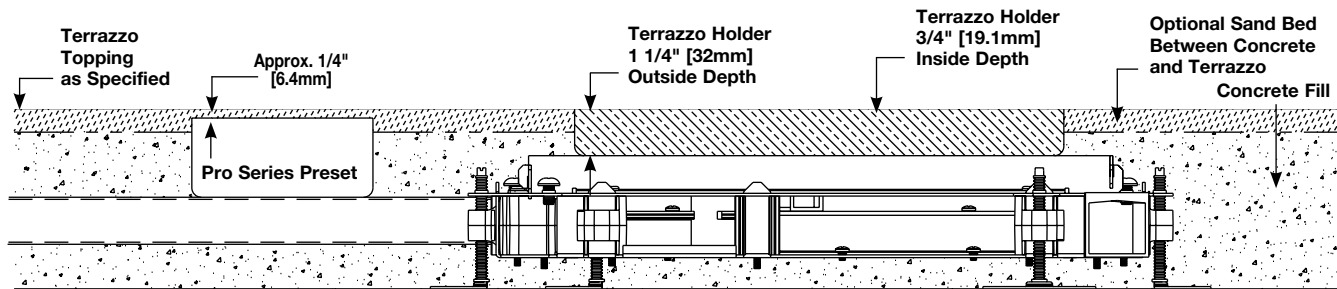
Partition extensions are provided with side rail extensions. Partitions maintain the separation of services. Field installation requires some disassembly and reassembly of the junction box prior to the concrete pour. Extensions replace entire sides of boxes. Specify suffix.

*Suffix for Side Rail Extensions	Depth of Concrete Over Duct				
1 1/2	1 1/2"	[38mm]	min. to 2"	[51mm]	max.
2	2"	[51mm]	min. to 2 1/2"	[62mm]	max.
2 1/2	2 1/2"	[64mm]	min. to 3"	[76mm]	max.
3	3"	[76mm]	min. to 3 1/2"	[89mm]	max.
3 1/2	3 1/2"	[89mm]	min. to 4"	[102mm]	max.

- 6RTT** For 142L/14H box
- RTT4** For 12JR box
- RTT8** For 14JR/222JR box
- RTT13** For 224JR/3222JR box
- RTT16** For 244JR/3224JR box
- RTT20** For 3244/3424JR box



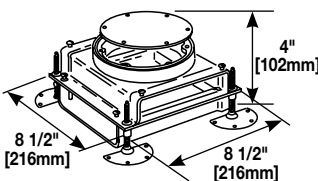
Terrazzo Holder – For round JR style junction boxes. Two-piece brass rings mount to junction box cover plate. Inner ring is filled with terrazzo. Screws are recessed into inner ring and allow the holder to be removed after floor is ground and polished. Terrazzo units hold 3/4" [19.1mm] deep terrazzo, but increase the height of the junction box by 1 1/4" [32mm].



Junction Box Accessories Ordering Information (Continued)

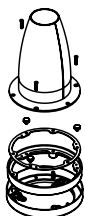
Catalog No./Item

142L-1



Two Level Junction Box – Adaptable for either No. 2 Duct or No. 4 Duct. No partitioning required. Requires a 4" [102mm] minimum pour. 3/8" [9.5mm] upward adjustment of cover plate is possible after pour. 5 3/4" [146mm] nominal diameter round cover plate. 1/8" [3.2mm] plate thickness. Use adjustable extension ring when additional height is needed. See Cat. No. 6AER-.

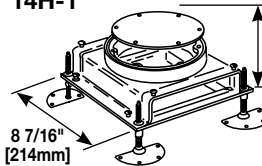
H14-AS



Complete Access Activation – For access to large number of cables at activation. Requires field cut 5" [127mm] hole in duct. Can be used as an afterset or preset on No. 4 Duct. For concrete pours over 1" [25mm] an extension ring is required. See Cat. No. 6AER-.

Catalog No./Item

14H-1



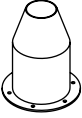

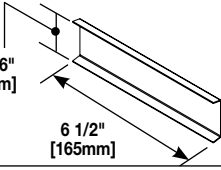
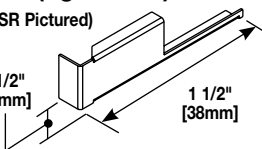
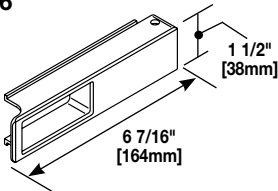
Hand Hole Access Unit – Hand hole units are installed on No. 4 Duct to facilitate feeding and splicing of wire and cable. 6 15/16" [176mm] distance between duct ends. 5 3/4" [146mm] diameter cover plate. Includes 1" [25mm] standard extension. For concrete pours over 1" [25mm] an extension ring is required.

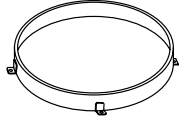

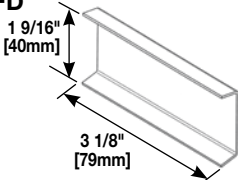
H14ABD



Afterset Access Assembly – Provides access to pull large number of cables out of duct at one activation. Neoprene boot to protect wires not included. Requires 5" [127mm] hole in duct. Can be used as an afterset or preset on No. 4 Duct. For concrete pours over 1" [25mm] an extension ring is required. See Cat. No. 6AER-.

Junction Box Accessories Ordering Information (Continued)

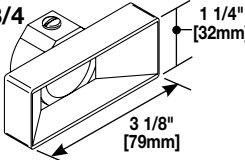
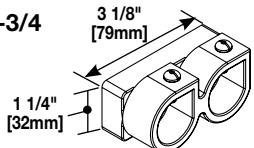
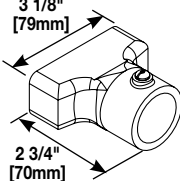
Catalog No./Item	Description/Specification
H14-BA 	Afterset Access Assembly with Neoprene Boot – Used with H14ABD to protect cables coming out of duct.
H14BC 	Blanking Cap – Closes 5" [127mm] hole in duct.
H203 	Blank Washer – For closing unused junction box No. 4 Duct opening. NOTE: Use Cat. No. H202 Blank Washer for 142L and 14H Junction Boxes.
275SL (left-hand) 275SR (right-hand) <small>(275SR Pictured)</small> 	Adapter – To reduce a No. 4 Duct opening in a junction box to a No. 2 Duct opening. Specify left or right hand.
276 	Adapter – Used with 142L and 14H Junction Boxes. Reduces No. 4 Duct opening to No. 2 Duct. Maintains 1" [25mm] spacing between ducts. For center opening in adapter use Cat. No. 277.

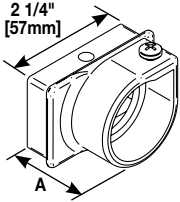
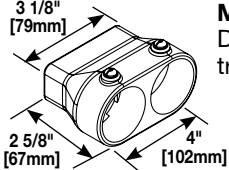
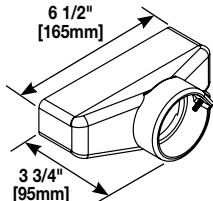
Catalog No./Item	Description/Specification																																																							
6AER-11/2 – 21/8 6AER-23/8 – 3 	Adjustable Extension Ring – For 142L-1, H338AU-1, H14-AS, and 14H-1 Boxes. Suffix refers to adjustable height range. Select hardware bag below to attach ring to box.																																																							
AERHB-120 -128 -144 -152 -052 	Hardware Bag – For adjustable extension ring. Suffix indicates depth of concrete over duct. Use chart below to determine hardware bag required for 142L-1, H338AU-1, H14-AS, and 14H-1 Boxes.																																																							
<table border="1" style="margin: auto;"> <thead> <tr> <th rowspan="2">Hardware Bag Cat. No.</th> <th colspan="7">Concrete Depth Over Duct</th> </tr> <tr> <th>1 1/2"</th> <th>1 5/8"</th> <th>1 3/4"</th> <th>1 7/8"</th> <th>2"</th> <th>2 1/8"</th> <th>2 3/8" - 3"</th> </tr> </thead> <tbody> <tr> <td>AERHB-120</td> <td style="text-align: center;">X</td> <td style="text-align: center;">X</td> <td></td> <td></td> <td></td> <td></td> <td></td> </tr> <tr> <td>AERHB-128</td> <td></td> <td></td> <td style="text-align: center;">X</td> <td style="text-align: center;">X</td> <td></td> <td></td> <td></td> </tr> <tr> <td>AERHB-144</td> <td></td> <td></td> <td></td> <td></td> <td style="text-align: center;">X</td> <td></td> <td></td> </tr> <tr> <td>AERHB-152</td> <td></td> <td></td> <td></td> <td></td> <td></td> <td style="text-align: center;">X</td> <td></td> </tr> <tr> <td>AERHB-052</td> <td></td> <td></td> <td></td> <td></td> <td></td> <td></td> <td style="text-align: center;">X</td> </tr> </tbody> </table>	Hardware Bag Cat. No.	Concrete Depth Over Duct							1 1/2"	1 5/8"	1 3/4"	1 7/8"	2"	2 1/8"	2 3/8" - 3"	AERHB-120	X	X						AERHB-128			X	X				AERHB-144					X			AERHB-152						X		AERHB-052							X	
Hardware Bag Cat. No.		Concrete Depth Over Duct																																																						
	1 1/2"	1 5/8"	1 3/4"	1 7/8"	2"	2 1/8"	2 3/8" - 3"																																																	
AERHB-120	X	X																																																						
AERHB-128			X	X																																																				
AERHB-144					X																																																			
AERHB-152						X																																																		
AERHB-052							X																																																	
203UFD 	Blank Washer – For closing unused junction box No. 2 Duct opening.																																																							

Junction Box Conduit Adapters Ordering Information

IMPORTANT!

The conduit adapters in this section will fit directly into the duct openings in the junction boxes. All other conduit adapters require a field cut piece of duct to transition from junction box opening to adapter.

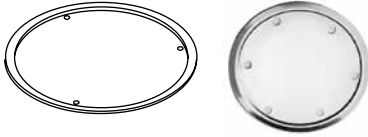
Catalog No./Item	Description/Specifications
212-3/4 	Adapter – For No. 2 Duct opening to one 3/4" trade size conduit.
222-3/4 	Adapter – For No. 2 Duct opening to two 3/4" trade size conduits.
232-1 -11/4 -11/2 	Male Adapter – For No. 2 Duct opening to one conduit. Suffix indicates conduit trade size.

Catalog No./Item	Description/Specifications														
255-3/4 [19.1mm] -1 [25mm] -11/4 [32mm] -11/2 [38mm] -2 [51mm] 	Box Conduit Corner Adapter – For one rigid or PVC conduit. Suffix denotes trade size.														
<table border="1" style="margin: auto;"> <thead> <tr> <th rowspan="2">CONDUIT ADAPTER</th> <th colspan="2">A</th> </tr> <tr> <th>Inches</th> <th>[mm]</th> </tr> </thead> <tbody> <tr> <td>255-3/4, -1</td> <td>1 7/8</td> <td>[48]</td> </tr> <tr> <td>255-1 1/4, -1 1/2</td> <td>2 1/4</td> <td>[57]</td> </tr> <tr> <td>255-2</td> <td>2 3/4</td> <td>[70]</td> </tr> </tbody> </table>	CONDUIT ADAPTER	A		Inches	[mm]	255-3/4, -1	1 7/8	[48]	255-1 1/4, -1 1/2	2 1/4	[57]	255-2	2 3/4	[70]	
CONDUIT ADAPTER		A													
	Inches	[mm]													
255-3/4, -1	1 7/8	[48]													
255-1 1/4, -1 1/2	2 1/4	[57]													
255-2	2 3/4	[70]													
242-11/4 	Male Adapter – For No. 2 Duct opening to two 1 1/4" trade size conduits.														
H232-2 	Male Adapter – For No. 4 Duct opening to one 2" trade size conduit.														

Walkerduct Flanged Round Carpet/Tile Holders Ordering Information

Walkerduct Carpet/Tile Holders finish off your Walkerduct Infloor Systems. Just match the diameter of the holder to the appropriate diameter of the Junction Box. Walkerduct Carpet/Tile Holders are available in a variety of depths to accommodate the thickness of the carpet or tile floor covering.

You can also add some "WOW" to your power and communications infrastructure by specifying custom engraved Walkerduct Junction Box Covers.



NOTE: Square Tile/Carpet Trims for heavy duty Junction Boxes - need to increase depth of Pan by 1/8". Example: for 1/4" Carpet, use 3/8" deep Carpet Holder.

Flanged round carpet/tile pans in brass or stainless steel for 12S, 14H, 142L, H338AU, 12FB or H14 Boxes. Mount onto cover plate. Available in 1/4" or 1/8" [6.4mm or 3.2mm] depths for carpet or tile floors. 5 23/32" [144mm] diameter (does not include flange). Flange is 3/8" [9.5mm] wide.

ORDERING DATA	
CAT. NO.	DESCRIPTION
6LHS-1/8	Stainless 1/8" [3.2mm] deep 6 39/64 [168mm] O.D.
6LHS-1/4	Stainless 1/4" [6.4mm] deep 6 39/64 [168mm] O.D.
6LHB-1/8	Brass 1/8" [3.2mm] deep 6 39/64 [168mm] O.D.
6LHB-1/4	Brass 1/4" [6.4mm] deep 6 39/64 [168mm] O.D.

Flanged round carpet/tile pans in brass or stainless steel for 222FB Boxes. Mount onto cover plate. Available in 1/4" or 1/8" [6.4mm or 3.2mm] depths for carpet or tile floors. 7 1/2" [191mm] diameter (does not include flange). Flange is 3/8" [9.5mm] wide.

ORDERING DATA	
CAT. NO.	DESCRIPTION
7LHS-1/8	Stainless 1/8" [3.2mm] deep 8 11/64 [208mm] O.D.
7LHS-1/4	Stainless 1/4" [6.4mm] deep 8 11/64 [208mm] O.D.
7LHB-1/8*	Brass 1/8" [3.2mm] deep 8 11/64 [208mm] O.D.
7LHB-1/4*	Brass 1/4" [6.4mm] deep 8 11/64 [208mm] O.D.

Flanged round carpet/tile pans in brass or stainless steel for 14S, 222S, and 3222FB Boxes. Mount onto cover plate. Available in 1/4" or 1/8" [6.4mm or 3.2mm] depths for carpet or tile floors. 10 1/2" [267mm] diameter (does not include flange). Flange is 3/8" [9.5mm] wide.

ORDERING DATA	
CAT. NO.	DESCRIPTION
10LHS-1/8	Stainless 1/8" [3.2mm] deep 11 15/64 [295mm] O.D.
10LHS-1/4	Stainless 1/4" [6.4mm] deep 11 15/64 [295mm] O.D.
10LHB-1/8*	Brass 1/8" [3.2mm] deep 11 15/64 [295mm] O.D.
10LHB-1/4*	Brass 1/4" [6.4mm] deep 11 15/64 [295mm] O.D.

NOTE: Prior to completing installation, proper floor covering should be installed in pan.

* Add suffix "-HD" for .090 thick material (.025 standard material thickness) to accommodate high traffic and/or heavy loads.

Flanged round carpet/tile pans in brass or stainless steel for 224S and 3222S Boxes. Also fits 2-1JB2510 Walkercell Boxes and 18" [457mm] wide Junction Box Headers. Mount onto cover plate. Available in 1/4" or 1/8" [6.4mm or 3.2mm] depths for carpet or tile floors. 14 1/2" [368mm] diameter (does not include flange). Flange is 3/8" [9.5mm] wide.

ORDERING DATA	
CAT. NO.	DESCRIPTION
14LHS-1/8	Stainless 1/8" [3.2mm] deep x 15.234" O.D. [387mm]
14LHS-1/4	Stainless 1/4" [6.4mm] deep x 15.234" O.D. [387mm]
14LHB-1/8*	Brass 1/8" [3.2mm] deep x 15.234" O.D. [387mm]
14LHB-1/4*	Brass 1/4" [6.4mm] deep x 15.234" O.D. [387mm]

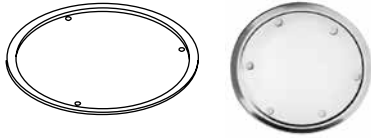
Flanged round carpet/tile pans in brass or stainless steel for 244S, 3224S, 3244S, 3424S and 3444S Boxes. Also fits 33JB3510, 32JB3510, 22JB2510, 1 1/2 JB2510, 11JB2510, Walkercell Boxes and 24" [610mm] wide and wider Junction Box Headers. Mount onto cover plate. Available in 1/4" or 1/8" [6.4mm or 3.2mm] depths for carpet or tile floors. 22" [559mm] diameter (does not include flange). Flange is 3/8" [9.5mm] wide.

ORDERING DATA	
CAT. NO.	DESCRIPTION
22LHS-1/8	Stainless 1/8" [3.2mm] deep x 23.234" O.D. [590mm]
22LHS-1/4	Stainless 1/4" [6.4mm] deep x 23.234" O.D. [590mm]
22LHB-1/8	Brass 1/8" [3.2mm] deep x 23.234" O.D. [590mm]
22LHB-1/4*	Brass 1/4" [6.4mm] deep x 23.234" O.D. [590mm]

Flanged round carpet/tile pans in brass or stainless steel for 12JR boxes. Mount onto cover plate. Available in 1/4" or 1/8" [6.4mm or 3.2mm] depths for carpet or tile floors. 4 3/4" [121mm] diameter (does not include flange). Flange is 3/8" [9.5mm] wide.

ORDERING DATA	
CAT. NO.	DESCRIPTION
SFCS5-1/8	Stainless 1/8" [3.2mm] deep x 5.561" O.D. [141mm]
SFCS5-1/4	Stainless 1/4" [6.4mm] deep x 5.561" O.D. [141mm]
SFCB5-1/8*	Brass 1/8" [3.2mm] deep x 5.561" O.D. [141mm]
SFCB5-1/4*	Brass 1/4" [6.4mm] deep x 5.561" O.D. [141mm]

Walkerduct Flanged Round Carpet/Tile Holders Ordering Information (Continued)



NOTE: Square Tile/Carpet Trims for heavy duty Junction Boxes – need to increase depth of Pan by 1/8". Example: for 1/4" Carpet, use 3/8" deep Carpet Holder.

Flanged round carpet/tile pans in brass or stainless steel for 14JR and 222JR boxes. Mount onto cover plate. Available in 1/4" or 1/8" [6.4mm or 3.2mm] depths for carpet or tile floors. 8 7/8" [225mm] diameter (does not include flange). Flange is 3/8" [9.5mm] wide.

ORDERING DATA		
CAT. NO.	DESCRIPTION	
SFCS9-1/8	Stainless	1/8" [6.4mm] deep x 9.686" O.D. [246mm]
SFCS9-1/4	Stainless	1/4" [3.2mm] deep x 9.686" O.D. [246mm]
SFCB9-1/8*	Brass	1/8" [6.4mm] deep x 9.686" O.D. [246mm]
SFCB9-1/4*	Brass	1/4" [3.2mm] deep x 9.686" O.D. [246mm]

Flanged round carpet/tile pans in brass or stainless steel for 224JR and 3222JR boxes. Mount onto cover plate. Available in 1/4" or 1/8" [6.4mm or 3.2mm] depths for carpet or tile floors. 13" [330mm] diameter (does not include flange). Flange is 3/8" [9.5mm] wide.

ORDERING DATA		
CAT. NO.	DESCRIPTION	
SFCS14-1/8	Stainless	1/8" [6.4mm] deep x 13.812" O.D. [351mm]
SFCS14-1/4	Stainless	1/4" [3.2mm] deep x 13.812" O.D. [351mm]
SFCB14-1/8	Brass	1/8" [6.4mm] deep x 13.812" O.D. [351mm]
SFCB14-1/4*	Brass	1/4" [3.2mm] deep x 13.812" O.D. [351mm]

Flanged round carpet/tile pans in brass or stainless steel for 244JR and 3224JR boxes. Mount onto cover plate. Available in 1/4" or 1/8" [6.4mm or 3.2mm] depths for carpet or tile floors. 16 3/8" [416mm] diameter (does not include flange). Flange is 3/8" [9.5mm] wide.

ORDERING DATA		
CAT. NO.	DESCRIPTION	
SFCS17-1/8	Stainless	1/8" [6.4mm] deep x 17.187" O.D. [437mm]
SFCS17-1/4	Stainless	1/4" [3.2mm] deep x 17.187" O.D. [437mm]
SFCB17-1/8	Brass	1/8" [6.4mm] deep x 17.187" O.D. [437mm]
SFCB17-1/4*	Brass	1/4" [3.2mm] deep x 17.187" O.D. [437mm]

Flanged round carpet/tile pans in brass or stainless steel for 3424JR and 3244JR boxes. Mount onto cover plate. Available in 1/4" or 1/8" [6.4mm or 3.2mm] depths for carpet or tile floors. 19 3/4" [502mm] diameter (does not include flange). Flange is 3/8" [9.5mm] wide.

ORDERING DATA		
CAT. NO.	DESCRIPTION	
SFCS20-1/8	Stainless	1/8" [6.4mm] deep x 17.936" O.D. [456mm]
SFCS20-1/4	Stainless	1/4" [3.2mm] deep x 17.936" O.D. [456mm]
SFCB20-1/8	Brass	1/8" [6.4mm] deep x 17.936" O.D. [456mm]
SFCB20-1/4	Brass	1/4" [3.2mm] deep x 17.936" O.D. [456mm]

Flanged round carpet/tile pans in brass or stainless steel for 3444JR boxes. Mount onto cover plate. Available in 1/4" or 1/8" [6.4mm or 3.2mm] depths for carpet or tile floors. 23 1/8" [587mm] diameter (does not include flange). Flange is 3/8" [9.5mm] wide.

ORDERING DATA		
CAT. NO.	DESCRIPTION	
SFCS24-1/8	Stainless	1/8" [6.4mm] deep x 20.560" O.D. [522mm]
SFCS24-1/4	Stainless	1/4" [3.2mm] deep x 20.560" O.D. [522mm]
SFCB24-1/8	Brass	1/8" [6.4mm] deep x 20.560" O.D. [522mm]
SFCB24-1/4	Brass	1/4" [3.2mm] deep x 20.560" O.D. [522mm]

NOTE: Prior to completing installation, proper floor covering should be installed in pan.

* Add suffix "-HD" for .090 thick material (.025 standard material thickness) to accommodate high traffic and/or heavy loads.

Walkerduct Custom Junction Box Covers



Add some "Wow" to your power and communications infrastructure.

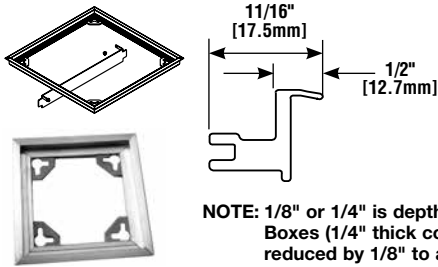
Custom engraved Walkerduct® Junction Box Covers are available in a wide range of metals, textures and finishes to enhance your decor and increase recognition.

Each cover is custom-designed to your specifications. Your Wiremold representative and our Technical Support team will walk you through the process of designing and specifying your own unique covers.

We'll handle all the details and deliver them on time without the premium cost. And because they're from Wiremold, they're the perfect complement to your Infloor System.

Walkerduct Square Carpet/Tile Trim Ordering Information

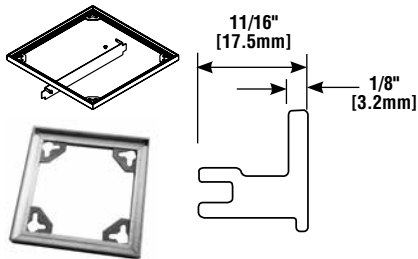
Flanged square carpet/tile trim in aluminum for Walkerduct JS Series Boxes. Mount onto junction box. Available in 1/4" or 1/8" [6.4mm or 3.2mm] depths for carpet or tile floors. Flange is 1/2" [12.7mm] wide. Dimensions below do not include flange.



NOTE: 1/8" or 1/4" is depth of tile or carpet when used with JS Boxes (1/4" thick cover plate). For HS Boxes, depth will be reduced by 1/8" to accommodate the 3/8" thick cover plate.

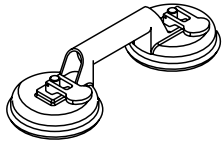
ORDERING DATA			
CAT. NO.	DESCRIPTION		JUNCTION BOX
CT6-1/8	6 13/16" x 6 13/16" x 1/8"	[173mm x 173mm x 3.2mm]	12JS
CT6-1/4	6 13/16" x 6 13/16" x 1/4"	[173mm x 173mm x 6.4mm]	12JS
CT10-1/8	10 15/16" x 11 15/16" x 1/8"	[278mm x 278mm x 3.2mm]	14JS, 222JS
CT10-1/4	10 15/16" x 11 15/16" x 1/4"	[278mm x 278mm x 6.4mm]	14JS, 222JS
CT15-1/8	15 1/16" x 15 1/16" x 1/8"	[383mm x 383mm x 3.2mm]	224JS, 3222JS
CT15-1/4	15 1/16" x 15 1/16" x 1/4"	[383mm x 383mm x 6.4mm]	224JS, 3222JS
CT18-1/8	18 7/16" x 18 7/16" x 1/8"	[468mm x 468mm x 3.2mm]	244JS, 3224JS
CT18-1/4	18 7/16" x 18 7/16" x 1/4"	[468mm x 468mm x 6.4mm]	244JS, 3224JS
CT21-1/8	21 13/16" x 21 13/16" x 1/8"	[554mm x 554mm x 3.2mm]	3424JS, 3244JS
CT21-1/4	21 13/16" x 21 13/16" x 1/4"	[554mm x 554mm x 6.4mm]	3424JS, 3244JS
CT25-1/8	25 3/16" x 25 3/16" x 1/8"	[640mm x 640mm x 3.2mm]	3444JS
CT25-1/4	25 3/16" x 25 3/16" x 1/4"	[640mm x 640mm x 6.4mm]	3444JS

Flangeless square carpet/tile trim in aluminum for Walkerduct JS Series Boxes. Mount onto junction box. Available in 1/4" [6.4mm] or 1/8" [3.2mm] depths for carpet or tile floors.




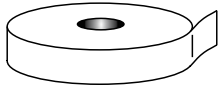
ORDERING DATA			
CAT. NO.	DESCRIPTION		JUNCTION BOX
FT6-1/8	6 13/16" x 6 13/16" x 1/8"	[173mm x 173mm x 3.2mm]	12JS
FT6-1/4	6 13/16" x 6 13/16" x 1/4"	[173mm x 173mm x 6.4mm]	12JS
FT10-1/8	10 15/16" x 11 15/16" x 1/8"	[278mm x 278mm x 3.2mm]	14JS, 222JS
FT10-1/4	10 15/16" x 11 15/16" x 1/4"	[278mm x 278mm x 6.4mm]	14JS, 222JS
FT15-1/8	15 1/16" x 15 1/16" x 1/8"	[383mm x 383mm x 3.2mm]	224JS, 3222JS
FT15-1/4	15 1/16" x 15 1/16" x 1/4"	[383mm x 383mm x 6.4mm]	224JS, 3222JS
FT18-1/8	18 7/16" x 18 7/16" x 1/8"	[468mm x 468mm x 3.2mm]	244JS, 3224JS
FT18-1/4	18 7/16" x 18 7/16" x 1/4"	[468mm x 468mm x 6.4mm]	244JS, 3224JS
FT21-1/8	21 13/16" x 21 13/16" x 1/8"	[554mm x 554mm x 3.2mm]	3424JS, 3244JS
FT21-1/4	21 13/16" x 21 13/16" x 1/4"	[554mm x 554mm x 6.4mm]	3424JS, 3244JS
FT25-1/8	25 3/16" x 25 3/16" x 1/8"	[640mm x 640mm x 3.2mm]	3444JS
FT25-1/4	25 3/16" x 25 3/16" x 1/4"	[640mm x 640mm x 6.4mm]	3444JS

Walkerduct Installation Products

Catalog No./Item	Description/Specifications
485 	Coverplate Lifter – Used to assist in removing cover plates from junction boxes.

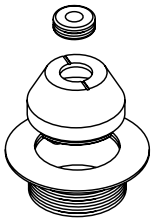
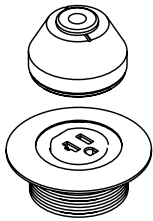
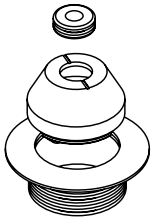
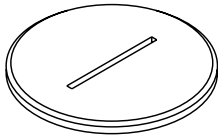
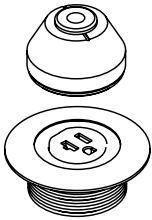
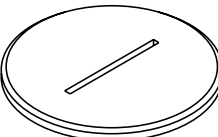
NOTE: We highly recommend you use a stud finder, such as Milwaukee Tool Sub-Scanner M12 Detection Tool, to find presets after the concrete pour. This tool is able to locate presets through up to 6" of concrete and will simplify your installation.

Catalog No./Item	Description/Specifications
290C 	Waterproof Sealing Compound – Three tubes, 10.1 fluid ounces each. Will seal approximately 100 couplings, 12 three-duct boxes, 25 two-duct boxes, or 50 single-duct boxes.

Catalog No./Item	Description/Specifications
H296 	Sealing Tape – 180' roll of 2" tape used to seal couplings and edges of junction boxes.

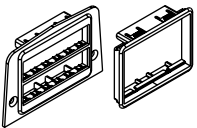
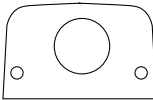
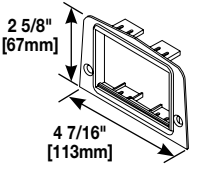
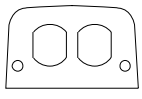

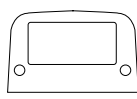
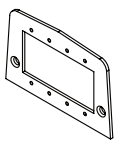
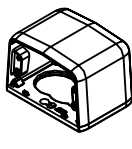
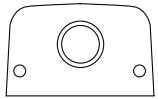
1200 Series Service Fittings Ordering Information

NOTE: Compatible with Walkerduct IPS duct.

Catalog No./Item	Description/Specifications	Catalog No./Item	Description/Specifications
1204BF 	Communication Service Fitting – Brass finish communication fitting furnished with split bell cap and grommet. No device plate is included.	1223AL 	Power Service Fitting – Aluminum fitting includes housing, bell cap, grommet, and single U-slot, three-wire grounded, 20A, 125V receptacle.
1204AL 	Communication Service Fitting – Aluminum finish communication fitting furnished with split bell cap and grommet. No device plate is included.	1230AL 	Screw plug – Aluminum screw plug to abandon service fitting. Screws into housing.
1223BF 	Power Service Fitting – Brass finish fitting includes housing, bell cap, grommet, and single U-slot, three-wire grounded, 20A, 125V receptacle.	1230BF 	Screw plug – Brass screw plug to abandon service fitting. Screws into housing.

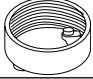

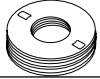
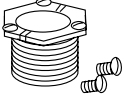
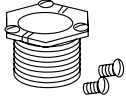
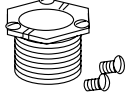

525 Series Service Fitting Ordering Information

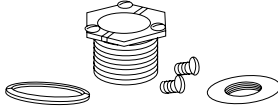
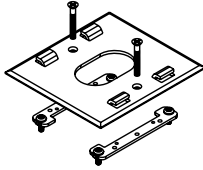
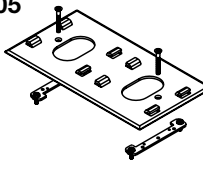
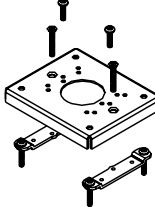
NOTE: Compatible with Walkerduct IPS and Pro Series duct.

Catalog No./Item	Description/Specifications	Catalog No./Item	Description/Specifications																																	
500RT 	Faceplate – Single opening. Ortronics Series II and TracJack adapters included.	500SP- 	Faceplate – Single opening. Suffix indicates hole diameter. <table border="1" style="margin-left: auto; margin-right: auto; border-collapse: collapse;"> <thead> <tr> <th>SUFFIX</th> <th colspan="2">HOLE DIAMETER</th> </tr> </thead> <tbody> <tr> <td>1/2</td> <td>1/2"</td> <td>[12.7mm]</td> </tr> <tr> <td>7/8</td> <td>7/8"</td> <td>[22.2mm]</td> </tr> <tr> <td>1.0625</td> <td>1.0625"</td> <td>[27mm]</td> </tr> <tr> <td>1 1/8</td> <td>1 1/8"</td> <td>[29mm]</td> </tr> <tr> <td>1.39</td> <td>1.39"</td> <td>[35mm]</td> </tr> <tr> <td>1 7/16</td> <td>1 7/16"</td> <td>[37mm]</td> </tr> <tr> <td>1 1/2</td> <td>1 1/2"</td> <td>[38mm]</td> </tr> <tr> <td>1 9/16</td> <td>1 9/16"</td> <td>[40mm]</td> </tr> <tr> <td>1 5/8</td> <td>1 5/8"</td> <td>[41mm]</td> </tr> <tr> <td>2</td> <td>2"</td> <td>[51mm]</td> </tr> </tbody> </table>	SUFFIX	HOLE DIAMETER		1/2	1/2"	[12.7mm]	7/8	7/8"	[22.2mm]	1.0625	1.0625"	[27mm]	1 1/8	1 1/8"	[29mm]	1.39	1.39"	[35mm]	1 7/16	1 7/16"	[37mm]	1 1/2	1 1/2"	[38mm]	1 9/16	1 9/16"	[40mm]	1 5/8	1 5/8"	[41mm]	2	2"	[51mm]
SUFFIX	HOLE DIAMETER																																			
1/2	1/2"	[12.7mm]																																		
7/8	7/8"	[22.2mm]																																		
1.0625	1.0625"	[27mm]																																		
1 1/8	1 1/8"	[29mm]																																		
1.39	1.39"	[35mm]																																		
1 7/16	1 7/16"	[37mm]																																		
1 1/2	1 1/2"	[38mm]																																		
1 9/16	1 9/16"	[40mm]																																		
1 5/8	1 5/8"	[41mm]																																		
2	2"	[51mm]																																		
500ACT 	Faceplate – Single opening. Activate CM-MABadapter included.	500DR 	Faceplate – For single duplex receptacle.																																	
500B 	Faceplate – Blank.	500-GFI 	Faceplate – For Decora or GFI device.																																	
500-MAAP 	Faceplate – Accepts Extron® Electronics MAAP device plates.	525HB 	Housing and Base Plate –Only.																																	
500T 	Faceplate – 1" [25mm] I.D. grommeted hole.																																			

525 Series Service Fitting Ordering Information (continued)

NOTE: Compatible with Walkerduct IPS and Pro Series duct.

Catalog No./Item	Description/Specifications
436-2-7/8 [22.2mm] -11/2 [38mm] -2 [51mm] -23/8 [60mm] -3 [76mm]	Afterset Inserts for Duct – 2" [51mm] IPS. 2 1/2" [64mm] core drill size; 2 1/4" [57mm] hole saw size. Suffix denotes height.
	
424-3/4 [19.1mm] -1 [25mm]	Extensions – For 2" [51mm] IPS preset or afterset inserts. Suffix denotes height of extension.
	
1126A-1/4 [6.4mm] -3/4 [19.1mm] -1 [25mm] -11/4 [32mm] -11/2 [38mm]	Adapter – To change 2" [51mm] IPS preset or afterset to reduced opening size. Suffix denotes opening size.
	
1124 -1 [25mm]	Locking Nipple – For 1" [25mm] IPS opening; 1" [25mm] long.
1124L -1 [25mm]	Locking Nipple – For 1" [38mm] IPS opening; 1 1/2" [38mm] long.
	
1124-11/4 [38mm]	Locking Nipple – For 1 1/4" [32mm] IPS opening; 1" [25mm] long.
1124L-11/4 [38mm]	Locking Nipple – For 1 1/4" [32mm] IPS opening; 1 1/2" [38mm] long.
	
1124F-1 [25mm]	Locking Nipple – For 1" [25mm] IPS opening; 5/8" [16mm] long. For use on Flushduct Infloor Raceway.
	
455F-1	Outlet Flange – For 1 5/8" [241mm] diameter opening on Flushduct Infloor Raceway. Accepts 1" [25mm] locking nipple.
	
1044B 1044S	Blanking Plates – 3 1/2" [89mm] diameter top plate
For 3/4" IPS	
1045B 1045S	For 1" IPS
For 1 1/4" IPS	
1046B 1046S	For 1 1/4" IPS
1043B 1043S	For 2" IPS
	NOTE: B - Brass S - Stainless Steel

Catalog No./Item	Description/Specifications
825SFCK	Conversion Kit – To attach service fitting to 800 Series floor boxes. Includes 825C Ring, 1124L-1 Locking Nipple, and 825P-1 Adapter.
	
430S505	Single Trim Plate – To attach fitting to Walkerduct Pro Series Preset. Base of 525 fitting not needed.
	
431D505	Double Trim Plate – To attach two fittings to Walkerduct Pro Series Presets. Base of 525 fitting not needed.
	
428B525	Flush Carpet Plate – To attach to Walkerduct Pro Series Plate. Includes hardware.
	

Cross Reference	
OLD CATALOG NUMBER	NEW CATALOG NUMBER
505A, 501E	525A
505ACT	525ACT
505B, 502E	525B
505C, 503E	525C
505F	525F
505G	525G
505H, 523E	525H
505HB	525HB
505I	525I
505J	525J
505RT	525RT

Multiplex Series Service Fitting Ordering Information

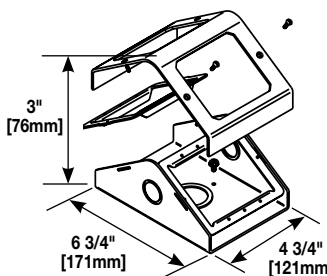
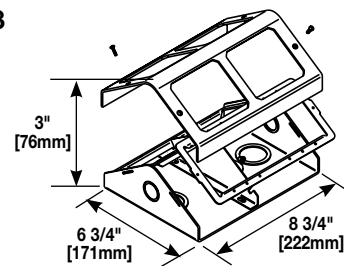
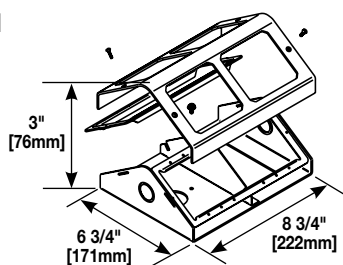
NOTE: Compatible with Walkerduct IPS and Pro Series duct.

Multiplex Selection and Ordering

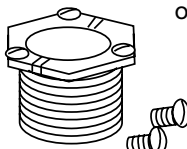
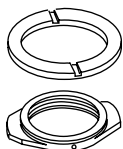
It is easy to design a unique Multiplex Service Fitting. Just follow these steps:

1. Determine what fitting will be mounted to (ie: Walkerduct Underfloor Duct, etc).
 2. Determine size required based on single or dual service needed. For 8-Plex, select appropriate base style.
 3. Select the required number of power, communication, A/V, or blank faceplates. Select two for 4-Plex and four for 8-Plex.
 4. Select installation accessories.
- That's all! It's so easy!

4-Plex Single and 8-Plex Dual Service Fittings Ordering Information

Catalog No./Item	Description/Specifications
<p>MP4</p> 	<p>Single service fitting includes housing, base, two mounting frames, and mounting hardware. For use on 2" [51mm] IPS underfloor duct systems. Can also be installed on single preset in Walkerduct Pro Series System. Has 1/2" and 3/4" trade size concentric conduit knockouts on each end. Overall capacity is 55.3 cu. in. [906 cu cm]. Fitting also provides 1" and 1 1/4" trade size concentric knockouts in baseplate.</p>
<p>MP8</p> 	<p>Dual service fitting includes housing, base, two mounting frames, divider, and mounting hardware. For use on two No. 2 ducts or one No. 2 and one No. 4 duct. On Walkerduct Pro Series the fitting can be installed on any two-duct system. Has 1/2" and 3/4" trade size concentric conduit knockouts on each end. Overall capacity is 104.3 cu. in. [1709 cu cm]. Fitting also provides 1" and 1 1/4" trade size concentric knockouts and one 1" trade size knockout in baseplate.</p>
<p>MP8-1</p> 	<p>Same as MP8, except mounts on PK and N-R-G Presets, one No. 2 , or one No. 4 duct. On Walkerduct Pro Series the fitting can be installed on any two-duct system. Overall capacity is 104.3 cu. in. [1709 cu cm]. Has 1/2" and 3/4" trade size concentric knockouts on each end. Fitting also provides one 1" trade size knockout in baseplate.</p>

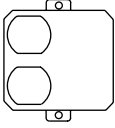
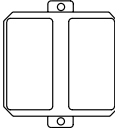
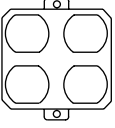
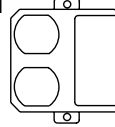
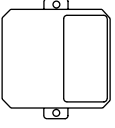
Activation Accessories Ordering Information

Catalog No./Item	Description/Specifications
<p>1124-1</p> <p>Locking Nipple – For 1" [25mm] IPS insert opening. 1" [25mm] long.</p>	<p>1126A -1/4 [6.4mm] Adapter – To change 2" [51mm] IPS preset to 1" [25mm].</p> <p>-3/4 [19mm]</p> <p>-1 [25mm] Suffix denotes opening size.</p> <p>-1 1/2 [38mm]</p> 
<p>1124L-1</p> <p>Locking Nipple – For 1" [25mm] IPS insert opening. 1 1/2" [38mm] long.</p>	<p>455F-1</p> <p>Outlet Flange – For 1 5/8" [41mm] diameter opening. For use on Flushduct Infloor Raceway.</p> 
<p>1124F-1</p> <p>Locking Nipple – For 1" [25mm] IPS opening. 5/8" [15.9mm] long. For use on Flushduct Infloor Raceway.</p>	

Multiplex Series Service Fitting Ordering Information

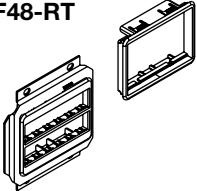
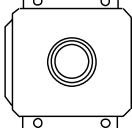
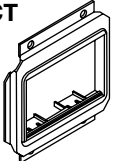
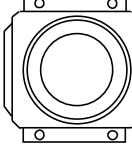
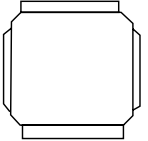
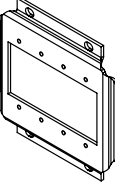
NOTE: Compatible with Walkerduct IPS and Pro Series duct.

Power Faceplates for Multiplex Service Fittings Ordering Information*

Catalog No./Item	Description/Specifications	Catalog No./Item	Description/Specifications
M-DR	 <p>Power Faceplate – Single duplex opening.</p>	M-2GFI	 <p>Power Faceplate – Dual GFI opening.</p>
M-2DR	 <p>Power Faceplate – Dual duplex opening.</p>	M-DR/GFI	 <p>Power Faceplate – Single duplex and GFI openings.</p>
M-GFI	 <p>Power Faceplate – Single GFI opening.</p>		

* All plates include mounting hardware. Plate dimensions are 3.365" [85.5mm] wide, x 2.98" [75.7mm] high, excluding flanges.

Communication Faceplates for Multiplex Service Fittings Ordering Information*

Catalog No./Item	Description/Specifications	Catalog No./Item	Description/Specifications
LTF48-RT	 <p>Faceplate – Single opening</p> <ul style="list-style-type: none"> • Accepts Ortronics MAB6TJ TracJack and MAB3S2 Series II adapters. 	LTF48-1	 <p>Faceplate – 1" [25mm] diameter bushed opening.</p>
LTF48-ACT	 <p>Faceplate – Single opening.</p> <ul style="list-style-type: none"> • Accepts the Activate CM-MAB adapter. 	LTF48-2	 <p>Faceplate – 2" [51mm] diameter bushed opening.</p>
LTF48-B	 <p>Faceplate – Blank.</p>	LTF48-MAAP**	 <p>Faceplate – Accepts four (4) Extron® Electronics MAAP device plates.</p>

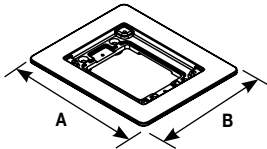
* All plates include mounting hardware. Plate dimensions are 3.365" [85.5mm] wide, x 2.98" [75.7mm] high, excluding flanges.

** Products are ETL Listed.

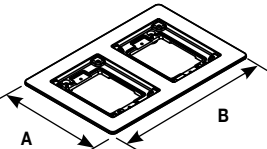
Pro Series Service Fitting Ordering Information

NOTE: Compatible with Walkerduct Pro Series duct.

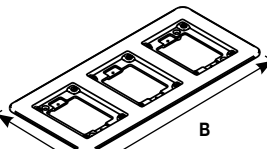
Walkerduct Pro Series Flush Flanges Ordering Information

Catalog No./Item	Description/Specifications			
817B 818TCAL	One-Gang Brass or Brushed Aluminum Combination Carpet and Tile Flange – Accepts Ortronics MAB6TJ TracJack and MAB3S2 Series II bezels, Activate CM-MAB bezel, and Wiremold Open System inserts, all sold separately.			
				
FLANGE	Inches	A [mm]	Inches	B [mm]
817TCAL	5.940	[150.9]	4.920	[125.0]
817B	6.080	[154.4]	5.060	[128.5]

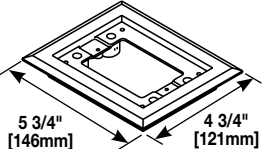
NOTE: Brushed aluminum flanges come with beveled edges.

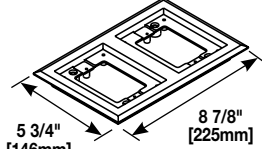
Catalog No./Item	Description/Specifications			
827B 828TCAL	Two-Gang Brass or Brushed Aluminum Combination Carpet and Tile Flange – Accepts Ortronics MAB6TJ TracJack and MAB3S2 Series II bezels, Activate CM-MAB bezel, and Wiremold Open System inserts, all sold separately.			
				
FLANGE	Inches	A [mm]	Inches	B [mm]
827TCAL	5.940	[150.9]	9.045	[239.7]
827B	6.080	[154.4]	9.185	[233.3]

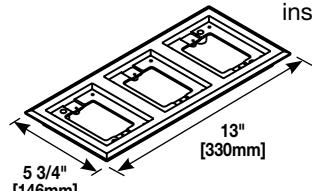
NOTE: Brushed aluminum flanges come with beveled edges.

Catalog No./Item	Description/Specifications			
837B 838TCAL	Three-Gang Brass or Brushed Aluminum Combination Carpet and Tile Flange – Accepts Ortronics MAB6TJ TracJack and MAB3S2 Series II bezels, Activate CM-MAB bezel, and Wiremold Open Systems inserts, all sold separately.			
				
FLANGE	Inches	A [mm]	Inches	B [mm]
837TCAL	5.940	[150.9]	13.170	[334.5]
837B	6.080	[154.4]	13.310	[338.1]

NOTE: Brushed aluminum flanges come with beveled edges.

Catalog No./Item	Description/Specifications
817PCC-BLK 817PCC-BRN	One-Gang Nonmetallic Carpet and Tile Flange – Available in black or brown. Accepts Ortronics MAB6TJ TracJack and MAB3S2 Series II bezels, Activate CM-MAB bezel, and Wiremold Open System inserts, all sold separately.
	

Catalog No./Item	Description/Specifications
827PCC-BLK 827PCC-BRN	Two-Gang Nonmetallic Carpet and Tile Flange – Available in black or brown. Accepts Ortronics MAB6TJ TracJack and MAB3S2 Series II bezels, Activate CM-MAB bezel, and Wiremold open inserts, all sold separately.
	

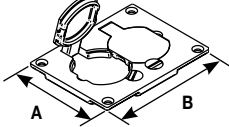
Catalog No./Item	Description/Specifications
837PCC-BLK 837PCC-BRN	Three-Gang Nonmetallic Carpet and Tile Flange – Available in black or brown. Accepts Ortronics MAB6TJ TracJack and MAB3S2 Series II bezels, Activate CM-MAB bezel, and Wiremold Open System inserts, all sold separately.
	

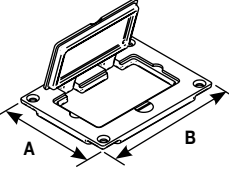
NOTE: Brass covers and flanges ARE NOT interchangeable with aluminum or nonmetallic covers and flanges. Nonmetallic covers ARE interchangeable with aluminum flanges.

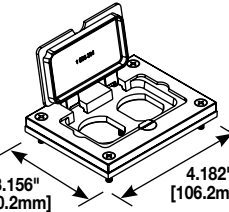
Pro Series Service Fitting Ordering Information (continued)

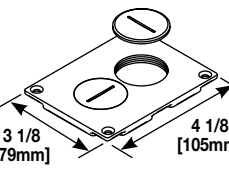
NOTE: Compatible with Walkerduct Pro Series duct.

Walkerduct Pro Series Flush Covers Ordering Information

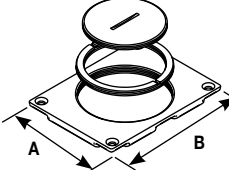
Catalog No./Item	Description/Specifications			
828R 828R-TCAL	Brass or Brushed Aluminum Duplex Cover Plate – Flip lids. Can also be used with a 106 type communication bezel.			
				
COVER	Inches	A [mm]	Inches	B [mm]
828R-TCAL	3.290	[83.6]	4.310	[109.5]
828R	3.156	[80.2]	4.182	[106.2]

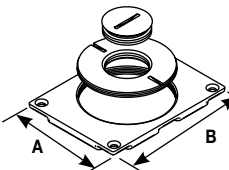
Catalog No./Item	Description/Specifications			
828GFITC 828GFITCAL	Brass or Brushed Aluminum GFI Cover Plate – May be used with Activate and Ortronics Connectivity Systems in conjunction with 817, 827 and 837 Series flanges.			
				
COVER	Inches	A [mm]	Inches	B [mm]
828GFITCAL	3.290	[83.6]	4.310	[109.5]
828GFITC	3.156	[80.2]	4.182	[106.2]

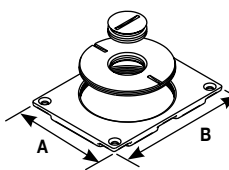
Catalog No./Item	Description/Specifications			
828DPGFITC 828DPGFITCAL	Brass or Brushed Aluminum Rectangular Cover Plate – Allows for mounting of a duplex style receptacle with a rectangular flip lid cover plate.			
				

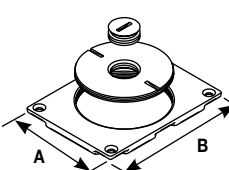
Catalog No./Item	Description/Specifications			
828SPTC	Brass Duplex Cover Plate – Screw plugs. Screw plugs are 1 1/2" [38mm] in diameter.			
				
NOTE: Not available in Brushed Aluminum finish.				

Catalog No./Item	Description/Specifications			
829STC	Brass Communication Cover Plate – Data slides. Feed through only, not for use with a mounting plate for communication jacks.			
				
NOTE: Not available in Brushed Aluminum finish.				

Catalog No./Item	Description/Specifications			
829CK 830CKTCAL	Brass or Brushed Aluminum Communication Cover Plate – 2 5/8" and 2 1/4" [67mm and 57mm] plugs.			
				
COVER	Inches	A [mm]	Inches	B [mm]
830CKTCAL	3.290	[83.6]	4.310	[109.5]
829CK	3.156	[80.2]	4.182	[106.2]

Catalog No./Item	Description/Specifications			
829CK-1 830CKTCAL-1	Brass or Brushed Aluminum Communication Cover Plate – 2 5/8" and 1" [67mm and 25mm] plugs.			
				
COVER	Inches	A [mm]	Inches	B [mm]
830CKTCAL-1	3.290	[83.6]	4.310	[109.5]
829CK-1	3.156	[80.2]	4.182	[106.2]

Catalog No./Item	Description/Specifications			
829CK-3/4 830CKTCAL-3/4	Brass or Brushed Aluminum Communication Cover Plate – 2 5/8" and 3/4" [67mm and 19.1mm] plugs.			
				
COVER	Inches	A [mm]	Inches	B [mm]
830CKTCAL-3/4	3.290	[83.6]	4.310	[109.5]
829CK-3/4	3.156	[80.2]	4.182	[106.2]

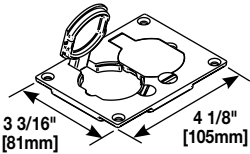
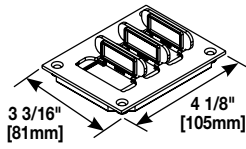
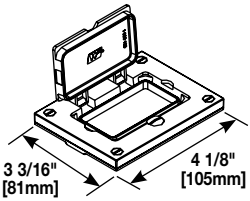
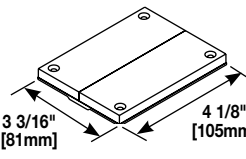
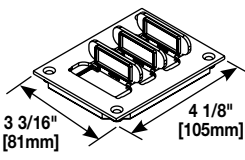
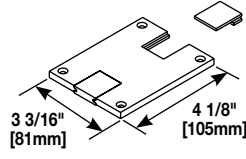
Catalog No./Item	Description/Specifications			
829CK-1/2 830CKTCAL-1/2	Brass or Brushed Aluminum Communication Cover Plate – 2 5/8" and 1/2" [67mm and 12.7mm] plugs.			
				
COVER	Inches	A [mm]	Inches	B [mm]
830CKTCAL-1/2	3.290	[83.6]	4.310	[109.5]
829CK-1/2	3.156	[80.2]	4.182	[106.2]

NOTE: Brass covers and flanges ARE NOT interchangeable with aluminum or nonmetallic covers and flanges. Nonmetallic covers ARE interchangeable with aluminum flanges

Pro Series Service Fitting Ordering Information (continued)

NOTE: Compatible with Walkerdut Pro Series duct.

Walkerdut Pro Series Flush Covers Ordering Information (continued)

Catalog No./Item	Description/Specifications	Catalog No./Item	Description/Specifications
828PR-BLK 828PR-BRN 	Nonmetallic Duplex Cover Plate – Flip lids. Available in black or brown. Can also be used with a 106 type communication bezel.	829PFLRT-BLK* 829PFLRT-BRN* 	Nonmetallic Communication Cover Plate – Individual flip lids. Available in black or brown. Gasket included. Accepts Ortronics MAB6TJ TracJack and MAB3S2 Series II bezels included.
828PRGFI-BLK 828PRGFI-BRN 	Nonmetallic GFI Cover Plate – Available in black or brown. May be used with Activate and Ortronics Connectivity systems in conjunction with 817, 827 and 837PCC Series flanges.	829PCK-BLK 829PCK-BRN 	Nonmetallic Communication Cover Plate – Breakouts. Available in black or brown. Feed through only, not for use with a mounting plate for communication jacks.
829PFL-BLK* 829PFL-BRN* 	Nonmetallic Communication Cover Plate – Individual flip lids. Available in black or brown. Gasket included. Accepts Activate CM-MAB bezel, and Wiremold Open System inserts, all sold separately.	829PSTC-BLK 829PSTC-BRN 	Nonmetallic Communication Cover Plate – Data slides. Available in black or brown. Feed through only, not for use with a mounting plate for communication jacks.

* Replacement flip lids can be ordered under Cat. No. PFL-BLK and PFL-BRN. Each Cat. No. comes with three flip lids. The above cover plates are listed for tile and carpet applications.

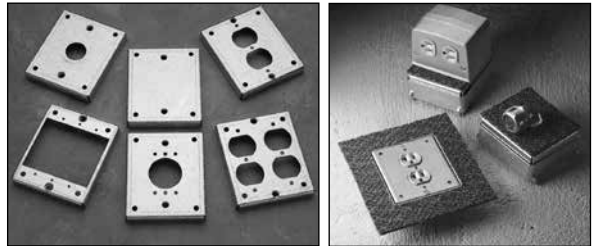
NOTE: Brass covers and flanges ARE NOT interchangeable with aluminum or nonmetallic covers and flanges. Nonmetallic covers ARE interchangeable with aluminum flanges

Pro Series Service Fitting Ordering Information (continued)

NOTE: Compatible with Walkerduct Pro Series duct.

Walkerduct Pro Series Flush Carpet Plates

For those applications where a basic connection is needed out of the preset, steel carpet plates are available. Made of 14 ga. galvanized steel, these plates provide a sturdy activation for conduit or receptacle connections. The plate dimensions are 3 7/8" wide x 4 5/8" long [98mm x 117mm]. Hardware for attaching to preset is included with plates. Screws provide 1 11/16" [43mm] upward adjustment.

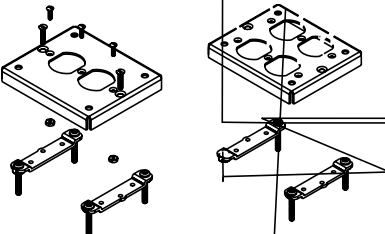
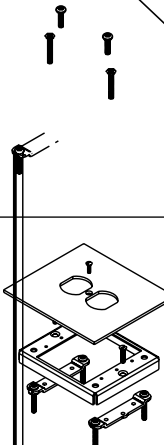
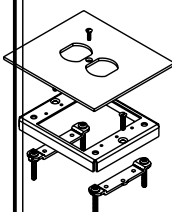


Steel carpet plates provide a sturdy activation for conduit or receptacle connections.

- IMPORTANT! -

Flush carpet plates are to be used only within a protected, enclosed environment such as under a retail counter on carpeted floors.

Walkerduct Pro Series Flush Carpet Plates Ordering Information

Catalog No./Item	Description/Specifications	
<p>428DR 428DR2</p> 	<p>Flush Carpet Plate – Single or double duplex opening. Flush plate is 3 7/8" x 4 5/8" [98mm x 117mm].</p>	<div style="border: 1px solid black; padding: 5px;"> <p>- IMPORTANT -</p> <p>A minimum 1 1/2" preset or afterset is required on Pro Series underfloor duct to support standard duplex receptacles and communication devices when using flush activations. The 1" preset or afterset should be specified for pedestal style fittings or when cabling will be pulled through the activation point.</p> </div>
<p>428B075</p>	<p>Flush Carpet Plate – Opening fits 3/4" trade size conduit or liquidtite. Includes spacer for liquidtite connection. Flush plate is 3 7/8" x 4 5/8" [98mm x 117mm].</p>	
<p>428BL</p>	<p>Flush Carpet Plate – Blank plate for abandoning preset or can be field punched for custom sized opening. Flush plate is 3 7/8" x 4 5/8" [98mm x 117mm].</p>	
<p>428B525</p> 	<p>Flush Carpet Plate – To attach 525 Series Service Fitting. Center hole diameter is 1 5/8" [41mm]. Flush plate is 3 7/8" x 4 5/8" [98mm x 117mm].</p>	
<p>433DR 433DR2</p> 	<p>Flush Carpet Plate – Single or double duplex opening with finishing plate. Oversized plate covers flush plate and carpet edges. Finishing plate is 4 3/4" x 5 3/8" [121mm x 137mm]. Flush plate is 3 7/8" x 4 5/8" [98mm x 117mm].</p>	<div style="border: 1px solid black; padding: 5px;"> <p>- IMPORTANT -</p> <p>A minimum 1 1/2" preset or afterset is required on Pro Series underfloor duct to support standard duplex receptacles and communication devices when using flush activations. The 1" preset or afterset should be specified for pedestal style fittings or when cabling will be pulled through the activation point.</p> </div>

Pro Series Service Fitting Ordering Information (continued)

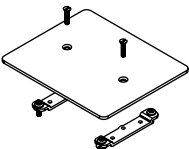
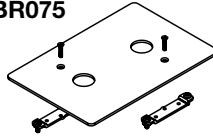
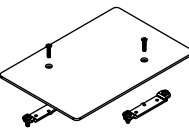
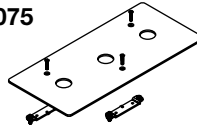
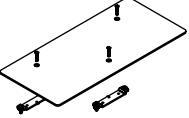
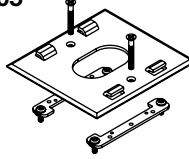
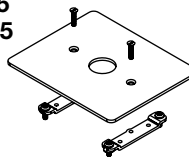
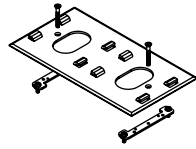
NOTE: Compatible with Walkerduct Pro Series duct.

Walkerduct Pro Series Trim Plates

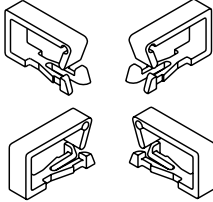
Available in brass or brushed aluminum, blanking plates can be used to cover an abandoned preset opening. They can also be used under a 525 Series Service Fitting or a conduit connector. Hardware to attach plate to preset is included.



Walkerduct Pro Series Trim Plates Ordering Information

Catalog No./Item	Description/Specification	Catalog No./Item	Description/Specification
430AL 430BR	 <p>Single Blanking Plate – In brass or aluminum. Dimensions are 5 1/16" x 6 1/16" [129mm x 154mm].</p>	431AL075 431BR075	 <p>Double Conduit Trim Plate – In brass or aluminum. Two openings for 3/4" trade size conduit or liquidtite. Dimensions are 9 3/16" x 6 1/16" [233mm x 154mm].</p>
431AL 431BR	 <p>Double Blanking Plate – In brass or aluminum. Dimensions are 9 3/16" x 6 1/16" [233mm x 154mm].</p>	432AL075 432BR075	 <p>Triple Conduit Trim Plate – In brass or aluminum. Three openings for 3/4" trade size conduit or liquidtite. Dimensions are 9 3/16" x 6 1/16" [233mm x 154mm].</p>
432AL 432BR	 <p>Triple Blanking Plate – In brass or aluminum. Dimensions are 13 5/16" x 6 1/16" [338mm x 154mm].</p>	430S505	 <p>Single 525 Trim Plate – To attach 525 Series Service Fitting on top of preset. Aluminum finish only. Dimensions are 5 1/16" x 6 1/16" [129mm x 154mm]. Fits all 525 Series Service Fittings.</p>
430AL075 430BR075	 <p>Single Conduit Trim Plate – In brass or aluminum. Opening for 3/4" trade size conduit or liquidtite. Dimensions are 5 1/16" x 6 1/16" [129mm x 154mm].</p>	431D505	 <p>Double 525 Trim Plate – To attach two 525 Series Service Fittings on top of preset. Aluminum finish only. Dimensions are 9 3/16" x 6 1/16" [233mm x 154mm]. Fits all 525 Series Service Fittings.</p>

Walkerduct Pro Series Activations Ordering Information

Catalog No./Item	Description/Specifications
427	 <p>Fiber Loop Kit – Nonmetallic clips snap into tabs in preset base. Holds up to one meter of fiber optic or UTP cable. Maintains 1 1/4" [32mm] bend radius.</p>

NOTE: See ED1225 for ordering information on 525 Series Service Fittings.

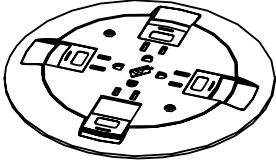
Source I® and Source II® Service Fittings ARE NOT compatible with Walkerduct Pro Series Presets. Source I can be used as an afterset only. 817B, 817PCC and 817TCAL Series cannot be installed on Walkerduct Source II® Systems.

PSRC9 Series Service Fitting Ordering Information

NOTE: Compatible with Walkerdect Pro Series duct.

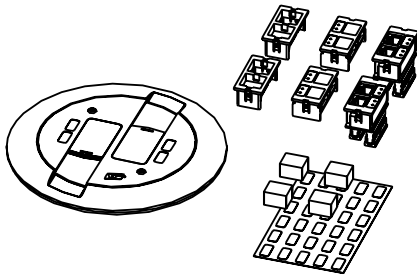
PSRC9TC Series Power Fittings Ordering Information

Catalog No./Item	Description/Specifications
PSRC9TCGY PSRC9TCAL PSRC9TCBK PSRC9TCBS	Quad Power- Available in gray (GY), aluminum (AL), black (BK) or brass (BS). Quad 15A receptacle included for standard or isolated ground wiring. Unit complete with link straps, adapter plate and receptacle bracket to attach preset or afterset.



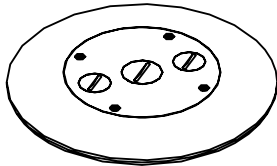
PSRC9AMDTC Series All Communication Fittings Ordering Information

Catalog No./Item	Description/Specifications
PSRC9AMDTCGY PSRC9AMDTCAL PSRC9AMDTCBK PSRC9AMDTCBS	Quad Communication – Available in gray, aluminum, black or brass. Unit complete with link straps and adapter plate to attach preset or afterset. Includes two (2) Ortronics® TrackJack adapters, two (2) Ortronics® Series II adapters and Wiremold Open System adapters. Modular jacks sold separately.

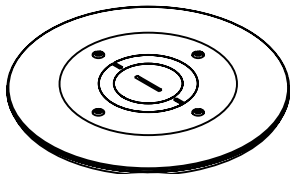


PSRC9 Series Furniture Feed Fittings Ordering Information

Catalog No./Item	Description/Specifications
PSRC9FFTCGY PSRC9FFTCAL PSRC9FFTCBK PSRC9FFTCBS	Flush Furniture Feed – Available in gray, aluminum, black or brass. Unit complete with link straps, adapter plate, and conduit assembly featuring (1) 3/4" trade size and (2) 1/2" trade size conduit connections and closure plugs.



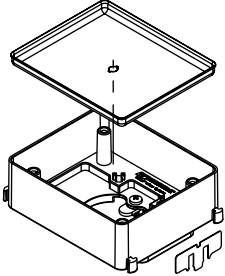
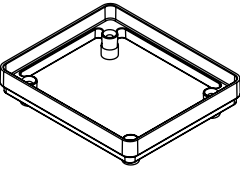
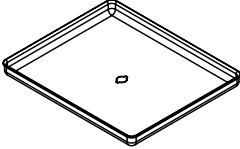
PSRC9FF2TCGY PSRC9FF2TCAL PSRC9FF2TCBK	2" [51mm] Flush Furniture Feed – Available in gray, aluminum, or black. Unit complete with link straps, adapter plate, and features concentric screw plugs that allow for 11/4" or 2" trade size conduit fitting connections.
--	--



PSRC9 Series Service Fitting Ordering Information (continued)

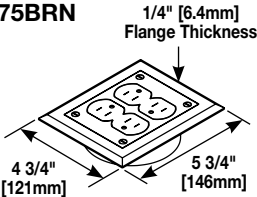
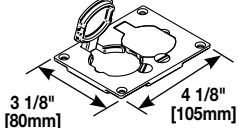
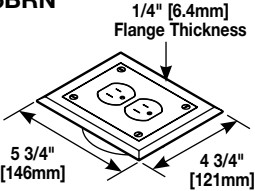
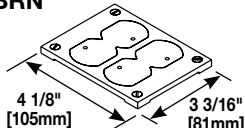
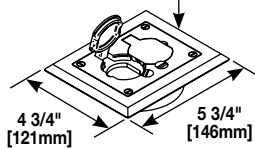
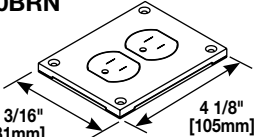
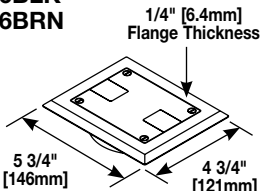
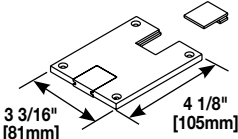
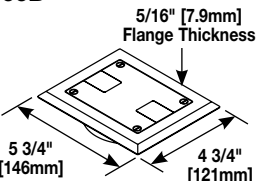
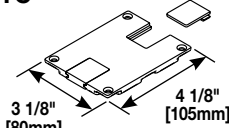
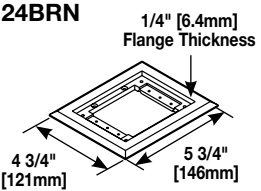
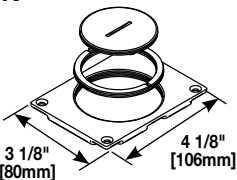
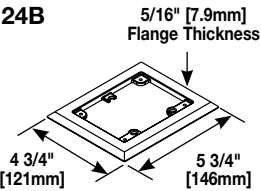
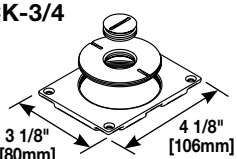
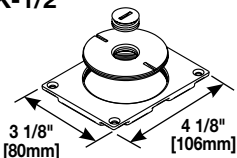
NOTE: Compatible with Walkerdut Pro Series duct.

PSRC9 Series Activation Accessories Ordering Information

Catalog No./Item	Description/Specifications
4210 4215 4220 4225 4230	<div style="display: flex; align-items: flex-start;"> <div style="flex: 1;">  </div> <div style="flex: 2; padding-left: 10px;"> <p> 1" [25mm] High Afterset 1 1/2" [38mm] High Afterset 2" [51mm] High Afterset 2 1/2" [64mm] High Afterset 3" [76mm] High Afterset – Installed either before or after concrete pour to create activation from duct. Requires 6 1/2" [165mm] core drilled hole in concrete and 2 1/2" [64mm] diameter hole in duct. Grout fill required around afterset once installed to fill voids and support fitting flange. Attaches to duct using locking tabs. Extensions can be attached to increase height (see below). Aftersets are gangable and include alignment clip and mudcap. </p> <div style="border: 1px solid black; padding: 5px; text-align: center; margin: 10px 0;"> <p>IMPORTANT!</p> <p>PSRC9 Series power and communication styles can be applied to Walkerdut Pro Series presets and aftersets 2" [51mm] and above. The PSRC9 furniture feed style can be applied to Pro Series presets and aftersets 1" and above.</p> </div> </div> </div>
425 426	<div style="display: flex; align-items: flex-start;"> <div style="flex: 1;">  </div> <div style="flex: 2; padding-left: 10px;"> <p> 1/2" (12mm) High Extension 1" (25mm) High Extension – Used to increase height of preset or afterset. Die cast construction. Attach to preset or afterset with push on metal sleeves (included). Cat. No. 426 can be stacked, Cat. No. 425 cannot be stacked. </p> </div> </div>
421	<div style="display: flex; align-items: flex-start;"> <div style="flex: 1;">  </div> <div style="flex: 2; padding-left: 10px;"> <p> Mudcap – Steel replacement cap for preset. Recessed to hold 3/8" [9.5mm] concrete. </p> </div> </div>

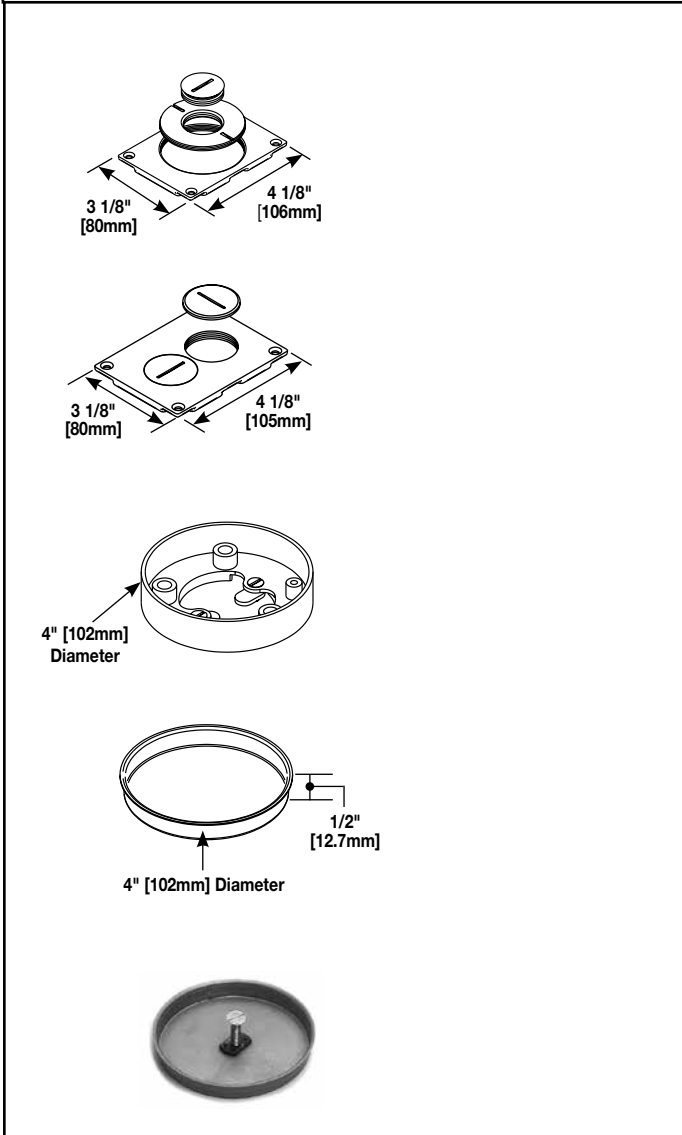
Source I Series Flush Activations Ordering Information

NOTE: Compatible with Walkerdut Pro Series duct.

Catalog No./Item	Description/Specifications	Catalog No./Item	Description/Specifications
S175BLK S175BRN 	Double Duplex Power Activation – Double duplex activation available in black (S175BLK) or brown (S175BRN) polycarbonate assembly, 7/8" to 3 3/8" [22.2mm to 86mm] concrete topping. 15A, 125V receptacles included.	S125B 	Cover Plate – Flush brass power cover plate only (flip lid) with four mounting screws
S165BLK S165BRN 	Complete Flush Activation – Flush polycarbonate power – single duplex black (S165BLK) or brown (S165BRN). 15A, 125V receptacles included.	S125BLK S125BRN 	Cover Plate – Nonmetallic double duplex membrane cover plate. Available in black (S125BLK) or brown (S125BRN).
S165B 	Complete Flush Activation – Flush brass power – single duplex flip lids. May be used with 106 type adapters for data applications.	S130BLK S130BRN 	Cover Plate – Nonmetallic double duplex membrane cover plate. Available in black (S130BLK) or brown (S130BRN)
S166BLK S166BRN 	Complete Flush Activation – Flush polycarbonate communication slides available in black (S166BLK) or brown (S166BRN).	829PSTC-BLK 829PSTC-BRN 	Cover Plate – Flush polycarbonate communication cover plate with slides and four mounting screws. Black (829PSTC-BLK) or brown (829PSTC-BRN).
S166B 	Complete Flush Activation – Flush brass communication (slides). Used for data cable pass-through.	829STC 	Cover Plate – Flush brass communication cover plate with slides and four mounting screws.
S124BLK S124BRN 	Carpet Flange – Flush polycarbonate carpet flange only with mounting screws. Available in black (S124BLK) or brown (S124BRN).	829CK 	Cover Plate – Flush brass communication cover plate (2 5/8" and 2 1/4" diameter trade size screw plugs) with four mounting screws.
S124B 	Carpet Flange – Flush brass carpet flange only with mounting screws.	829CK-3/4 	Cover Plate – Flush brass communication cover plate (2 5/8" and 3/4" diameter trade size screw plugs) with four mounting screws.
		829CK-1/2 	Cover Plate – Flush brass communication cover plate (2 5/8" and 1/2" diameter trade size screw plugs) with four mounting screws.

Source I Series Flush Activations Ordering Information (continued)

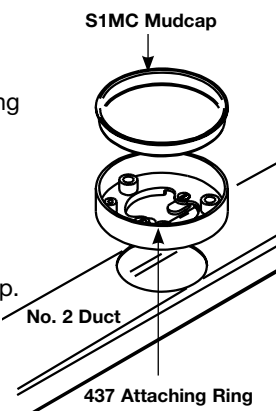
NOTE: Compatible with Walkerduct Pro Series duct.



Catalog No./Item	Description/Specifications
439 	Attaching Ring – For polycarbonate afterset use only. No adjusting ring required. 4" [102mm] O.D. Four #6-32 hold-down screws provided.
897AR 	Adjusting Ring – Adjusting ring (with three adjusting screws) for use with 437 Attaching Rings – power for brass fitting only. 3 25/32" [96mm] O.D.
898AR 	Adjusting Ring – Adjusting ring (with three adjusting screws) for use with 437 Attaching Rings – communication only (brass and polycarbonate fittings) and power for polycarbonate fitting only. 3 25/32" [96mm] O.D.
S1ER 	Attaching Ring Extension – Extension ring – mounts on top of 437 Attaching Ring. Includes extension ring and three mounting screws. 4" [102mm] O.D. Add suffix to indicate ring height: 7/8", 1 1/8", 1 1/2", 2", 2 3/8", 3 1/8". We recommend using a shallow Attaching Ring and deep extension ring whenever possible.

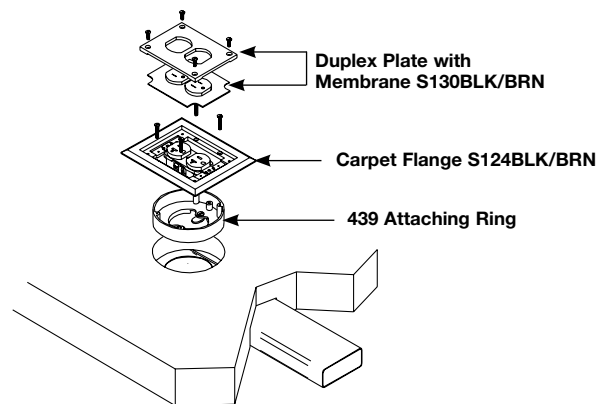
437 Preset Insert Installation Guidelines

Drill 2 1/2" [64mm] hole in duct where activation is desired. Install attaching ring in hole in raceway before concrete is poured. Attaching ring is secured by tightening locking tabs. Be sure the locking tabs are oriented lengthwise with the raceway. The mudcap should be securely in place before the concrete pour. After the pour, chip away concrete and remove mudcap. Attach 437 Ring, 897/898AR Ring and Service Fitting (not shown).



NOTE: 437 Attaching ring can be used as a preset or afterset.

439 Afterset Insert & Polycarbonate Source I Fitting



NOTES

NOTES



Electrical Wiring Systems

60 Woodlawn Street
West Hartford, CT 06110
Phone: 1.877.BY.LEGRAND (295-3472)
www.legrand.us

570 Applewood Crescent
Vaughan, Ontario L4K 4B4
Phone: 905.738.9195
www.legrand.ca

