

TORK PHOTOELECTRIC CONTROLS - THERMAL

2000 SERIES

1/2" CONDUIT MOUNTING FIXED POSITION - LEXAN® HOUSING

APPLICATIONS

Use to control flood lights, patio lamps, decorative lighting.

FEATURES

- All Lexan® enclosure is impact and vandal resistant. Translucent dome prolongs cell life further by screening out ultraviolet rays. Dome and base are ultrasonically welded for maximum strength.
- Delay of up to two minutes prevents false switching due to light from vehicles, lightning etc.

SPECIFICATIONS

Turn ON/Turn OFF: Turn-ON is 1 to 5 fc, turn-OFF is 3 to 15 fc, without the slide in position. ON/OFF adjustment is easily done by moving a light level selector - no tools required.

Cell: Cadmium sulphide, epoxy coated, 1/2" diameter.

Contacts: Remain closed between dusk and dawn. (Note: The unit fails in the ON position)

Power Consumption: Averages under one watt.

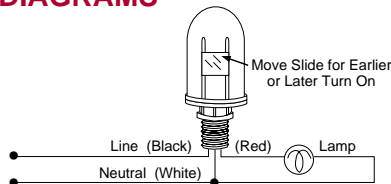
Temperature Range: -40° to +140°F (-40° to +60°C)

ORDERING INFORMATION

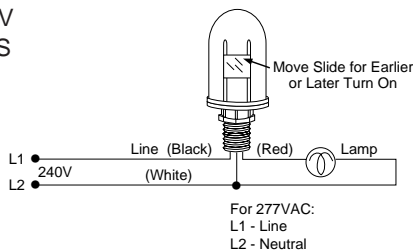
MODEL	VOLTAGE		RATING	
	50-60Hz	SWITCH	TUNGSTEN	BALLAST
2000	120	SPST	2000W	1800VA
2000C	Same specs as above but in clam shell package			
2000-2	208-277	SPST	2000W	1800VA
2000-7	120/277	SPST	2000W	1800VA

WIRING DIAGRAMS

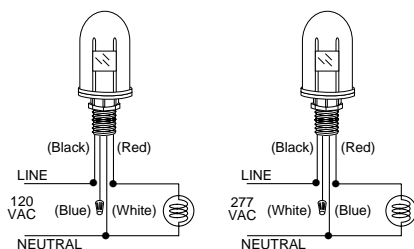
120V
MODELS



208-277V
MODELS

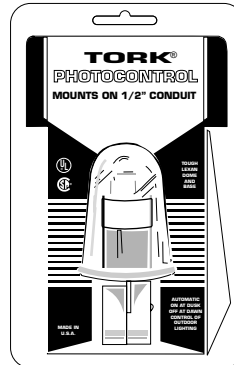


120/277V
MODELS



FIXED POSITION WITH WEATHERPROOF SEALANT

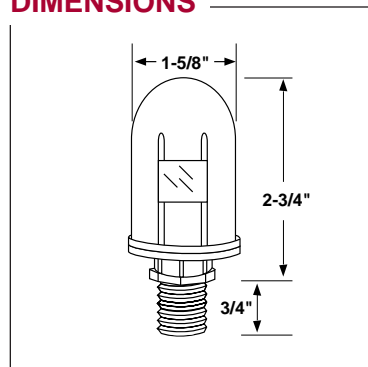
Mount At
Any Angle



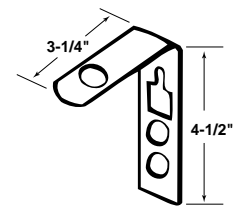
Optional Clamshell



DIMENSIONS



ACCESSORY



B-BRACKET FOR
WALL MOUNTING OF ALL
1/2" CONDUIT MODELS
PART #73866

SPECIFICATION WRITER'S GUIDE

Photocontrol enclosure shall be constructed of Lexan® material. Dome shall be UV stabilized to screen out ultraviolet rays. Dome and base shall be ultrasonically welded. Weatherproof sealant shall be used at the nipple opening where wires emerge. Cell shall be cadmium sulphide, epoxy coated, 1/2 inch diameter. Contacts shall be normally closed and fail in the ON position. Photocontrol must withstand temperatures of -40° to +140° F. Unit to be provided with three color coded, minimum six inch wire leads, #16 AWG, rated for 105° C. Photocontrol shall have a fixed base for mounting through 7/8 inch opening or 1/2 inch K.O. Furnish and install TORK Model 2000, 120 VAC, (Model 2000-2, 208-277 VAC), (Model 2000-7, 120/277 VAC) or equal.

TORK PHOTOELECTRIC CONTROLS - THERMAL

2020 SERIES

PHOTOCONTROLS

1/2" CONDUIT MOUNTING 180° SWIVEL - LEXAN® HOUSING

APPLICATIONS

Use to control flood lights, patio lamps, decorative lighting. Ideal for applications where it is essential to aim the photocell in an exact direction to sense natural light but avoid artificial light.

FEATURES

- All Lexan® enclosure is impact and vandal resistant. Cover and base are ultrasonically welded for maximum strength.
- Delay of up to two minutes prevents false switching due to light from vehicles, lightning etc.

SPECIFICATIONS

Turn ON / Turn OFF: Turn-ON is 1 to 5 fc, turn-OFF is 3 to 15 fc.

Cell: Cadmium sulphide, epoxy coated, 1/2" diameter.

Contacts: Remain closed between dusk and dawn. (Note: The unit fails in the ON position)

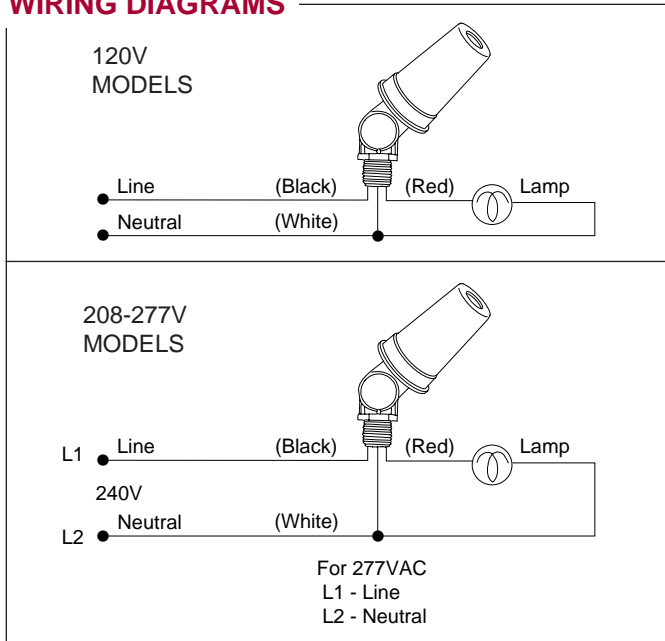
Power Consumption: Averages under one watt.

Temperature Range: -40° to +140°F (-40° to +60°C)

ORDERING INFORMATION

MODEL	VOLTAGE		RATING	
	50-60Hz	SWITCH	TUNGSTEN	BALLAST
2021	120	SPST	2000W	1800VA
2022	208-277	SPST	2000W	1800VA

WIRING DIAGRAMS

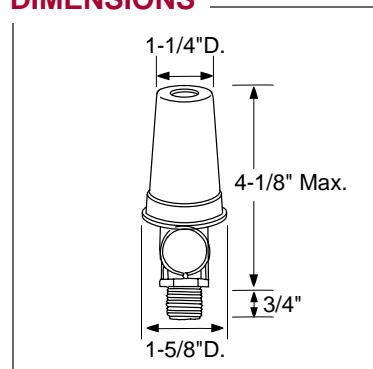


180° SWIVEL "PENCIL"

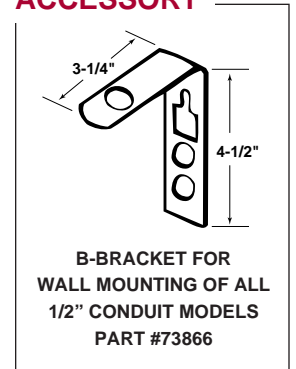


Photocell in the tip allows AIMING in the exact direction for maximum performance.

DIMENSIONS



ACCESSORY



SPECIFICATION WRITER'S GUIDE

Photocontrol enclosure shall be constructed of Lexan® material. Cover and base shall be ultrasonically welded. Cell shall be cadmium sulphide, epoxy coated, 1/2 inch diameter. Contacts shall be normally closed and fail in the ON position. Photocontrol must withstand temperatures of -40° to +140° F. Unit to be provided with three color coded, minimum six inch wire leads, #16 AWG, rated for 105° C. Photocontrol shall have a 180° swivel base for mounting through 7/8 inch opening or 1/2 inch K.O. Furnish and install TORK Model 2021, 120 VAC (Model 2022, 208-277 VAC) or equal.

TORK PHOTOELECTRIC CONTROLS - THERMAL

2001 SERIES

1/2" CONDUIT MOUNTING 180° SWIVEL - LEXAN® HOUSING

APPLICATIONS

Use to control flood lights, patio lamps, decorative lighting.

FEATURES

- All Lexan® enclosure is impact and vandal resistant. Translucent dome prolongs cell life further by screening out ultraviolet rays. Dome and base are ultrasonically welded for maximum strength.
- Delay of up to two minutes prevents false switching due to light from vehicles, lightning etc.

SPECIFICATIONS

Turn ON/Turn OFF: Turn-ON is 1 to 5 fc, turn-OFF is 3 to 15 fc, without the slide in position. ON/OFF adjustment is easily done by moving a light level selector - no tools required.

Cell: Cadmium sulphide, epoxy coated, 1/2" diameter.

Contacts: Remain closed between dusk and dawn. (Note: The unit fails in the ON position)

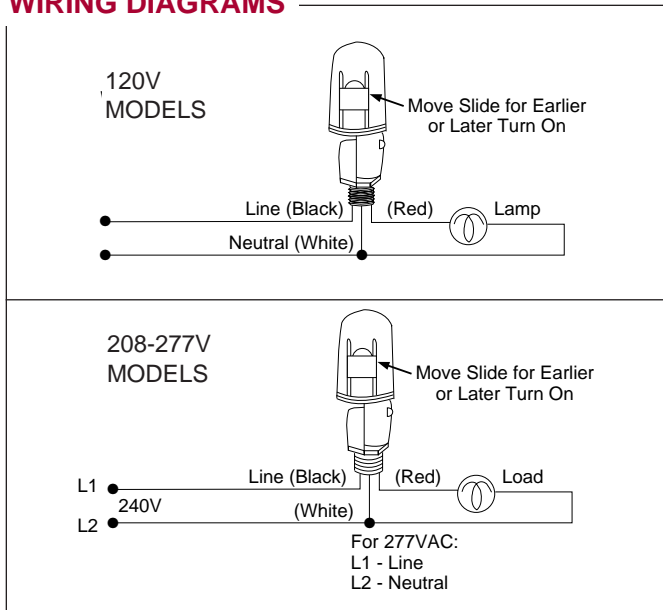
Power Consumption: Averages under one watt.

Temperature Range: -40° to +140°F (-40° to +60°C)

ORDERING INFORMATION

MODEL	VOLTAGE		RATING	
	50-60Hz	SWITCH	TUNGSTEN	BALLAST
2001	120	SPST	2000W	1800VA
2001C	Same specs as above but in clam shell package			
2002	208-277	SPST	2000W	1800VA

WIRING DIAGRAMS

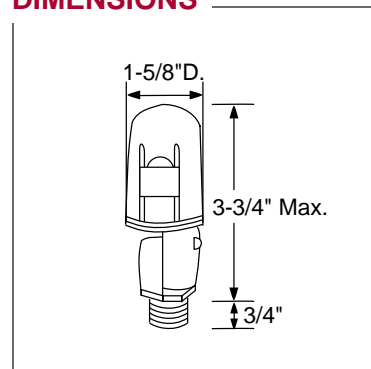


180° SWIVEL

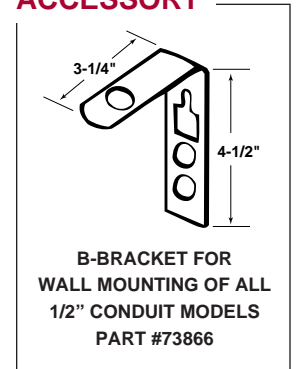


Optional Clamshell

DIMENSIONS



ACCESSORY



SPECIFICATION WRITER'S GUIDE

Photocontrol enclosure shall be constructed of Lexan® material. Dome shall be UV stabilized to screen out ultraviolet rays. Dome and base shall be ultrasonically welded. Cell shall be cadmium sulphide, epoxy coated, 1/2 inch diameter. Contacts shall be normally closed and fail in the ON position. Photocontrol must withstand temperatures of -40° to +140° F. Unit to be provided with three color coded, minimum six inch wire leads, #16 AWG, rated for 105° C. Photocontrol shall have a 180° swivel base for mounting through 7/8 inch opening or 1/2 inch K.O. Furnish and install TORK Model 2001, 120 VAC (Model 2002, 208-277 VAC) or equal.

TORK PHOTOELECTRIC CONTROLS – THERMAL

2100 SERIES

PHOTOCONTROLS

1/2" CONDUIT MOUNTING

DIE CAST ZINC • SPEC GRADE

APPLICATIONS

Use to control parking lot & building perimeter lighting, outdoor sign lights.

FEATURES

- Heavy-duty die cast zinc, gasketed for maximum weather protection.
- Delay of up to two minutes prevents false switching due to light from vehicles, lightning etc.

SPECIFICATIONS

Turn ON / Turn OFF: Turn-ON is 1 to 5 fc, turn-OFF is 3 to 15 fc, without the slide in position. ON/OFF adjustment is easily done by moving a light level selector - no tools required.

Cell: Cadmium sulphide, epoxy coated, 1" diameter.*

Contacts: Remain closed between dusk and dawn. (Note: The unit fails in the ON position)

Power Consumption: Averages under one watt.

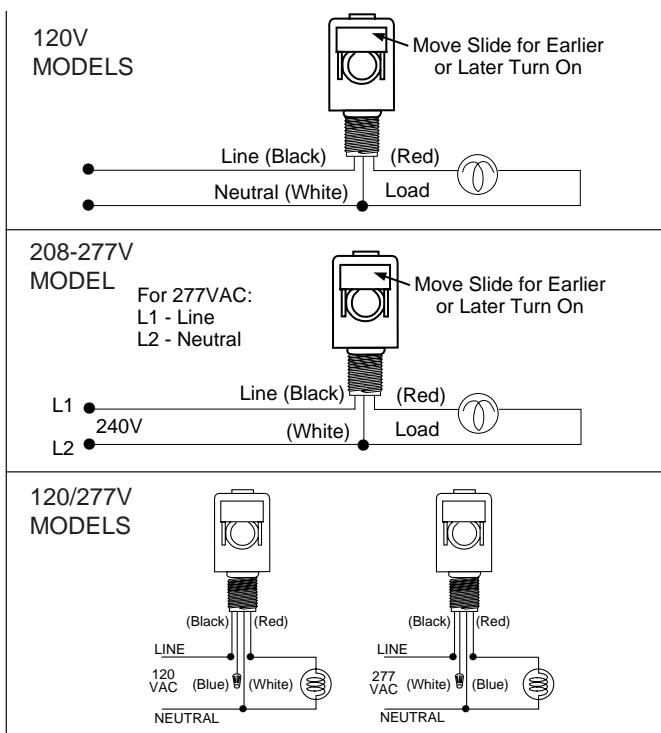
Temperature Range: -40° to +140°F (-40° to +60°C)

ORDERING INFORMATION

MODEL	VOLTAGE		RATING	
	50-60Hz	SWITCH	TUNGSTEN	BALLAST
2101	120	SPST	2000W	1800VA
2104	208-277	SPST	2000W	1800VA
2105* not UL or CSA	120	SPST	3000W	3000VA
2107 NEW	120/277	SPST	2000W	1800VA

* Model 2105 has a polycarbonate enclosure, 1/2" cell, 1 year warranty.

WIRING DIAGRAMS

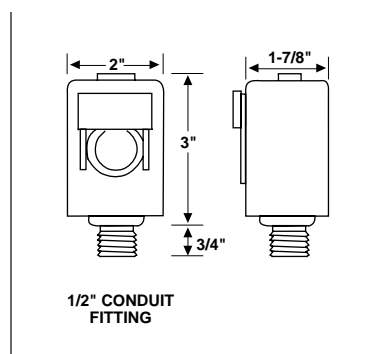


5 YEAR WARRANTY*

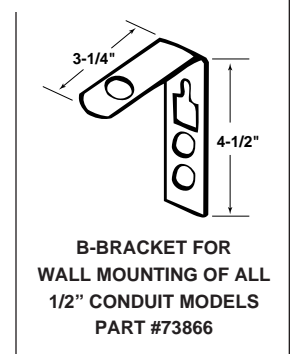


2101 / 2104 / 2107

DIMENSIONS



ACCESSORY



SPECIFICATION WRITER'S GUIDE

Photocontrol enclosure shall be constructed of die cast zinc, gasketed for weather protection. Cell shall be cadmium sulphide, epoxy coated, one inch diameter. Contacts shall be normally closed and fail in the ON position. Photocontrol must withstand temperatures of -40° to +140° F. Unit to be provided with three color coded, minimum six inch wire leads, #16 AWG, rated for 105° C. Photocontrol shall have a fixed base for mounting through 7/8 inch opening or 1/2 inch K.O. Furnish and install TORK Model 2101, 120 VAC (Model 2104, 208-277 VAC), (Model 2107, 120/277 VAC) or equal.