

Product data sheet

Specifications

SQUARE D

Green Premium™



Safety switch, heavy duty, non fusible, 30A, 3 wire, 3 pole, 30hp, 600VAC/DC, NEMA 1

HU361

! Discontinued on: 23 June 2023

! Discontinued

Main

Product	Single Throw Safety Switch
Duty Rating	Heavy duty
Device Application	Heavy application
Disconnect Type	Non-fusible disconnect
Factory Installed Neutral	None
Phase	3 phase
Number of Poles	3
Current Rating	30 A
Voltage Rating	600 V AC/DC
Enclosure Rating	NEMA 1 steel
Motor power hp	5 hp at 240 V AC 50-60 Hz for 1 phase motors 10 hp at 240 V AC 50-60 Hz for 3 phase motors 7.5 hp at 480 V AC 50-60 Hz for 1 phase motors 20 hp at 480 V AC 50-60 Hz for 3 phase motors 10 hp at 600 V AC 50-60 Hz for 1 phase motors 30 hp at 600 V AC 50-60 Hz for 3 phase motors 5 hp at 250 V DC 15 hp at 600 V DC

Complementary

Mounting Type	Surface
Electrical Connection	Lugs
Wiring configuration	3-wire
Wire Size	AWG 12...AWG 6 aluminium AWG 14...AWG 6 copper
Tightening torque	45 lbf.in (5.08 N.m) 0.02 in ² (13.3 mm ²) (AWG 6) 40 lbf.in (4.52 N.m) 0.01 in ² (8.367 mm ²) (AWG 8) 35 lbf.in (3.95 N.m) 0.00...0.01 in ² (2.06...5.261 mm ²) (AWG 14...AWG 10)
Depth	4.87 in (123.70 mm)
Width	7.55 in (191.77 mm)
Height	14.6 in (370.84 mm)
Net Weight	8.82 lb(US) (4 kg)

Environment

Certifications UL listed file E2875

Ordering and shipping details

Category 00008-H&HU SW,2&3P,N1,30-200A

Discount Schedule DE1

GTIN 785901505723

Returnability No

Country of origin US

Packing Units

Unit Type of Package 1 PCE

Number of Units in Package 1 1

Package 1 Height 5.20 in (13.208 cm)

Package 1 Width 7.70 in (19.558 cm)

Package 1 Length 16.20 in (41.148 cm)

Package 1 Weight 7.60 lb(US) (3.447 kg)

Unit Type of Package 2 PAL

Number of Units in Package 2 120

Package 2 Height 45.50 in (115.57 cm)

Package 2 Width 40.00 in (101.6 cm)

Package 2 Length 48.00 in (121.92 cm)

Package 2 Weight 948.00 lb(US) (430.005 kg)

Offer Sustainability

Sustainable offer status Green Premium product

California proposition 65 WARNING: This product can expose you to chemicals including: Lead and lead compounds, which is known to the State of California to cause cancer and birth defects or other reproductive harm. For more information go to www.P65Warnings.ca.gov

REACH Regulation [REACH Declaration](#)

EU RoHS Directive Compliant
[EU RoHS Declaration](#)

Mercury free Yes

China RoHS Regulation [China RoHS declaration](#)
Product out of China RoHS scope. Substance declaration for your information.

RoHS exemption information [Yes](#)

Environmental Disclosure [Product Environmental Profile](#)

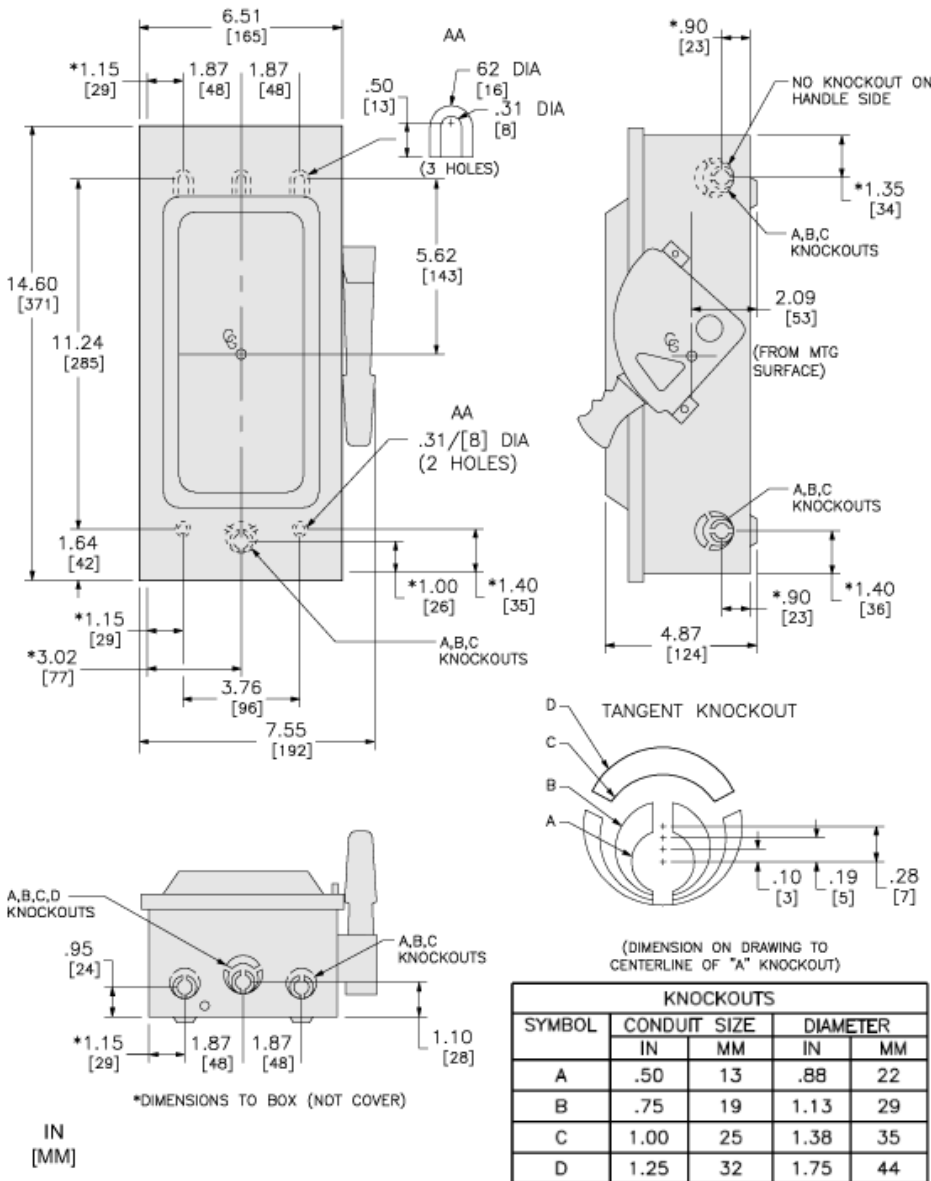
WEEE The product must be disposed on European Union markets following specific waste collection and never end up in rubbish bins.

PVC free Yes

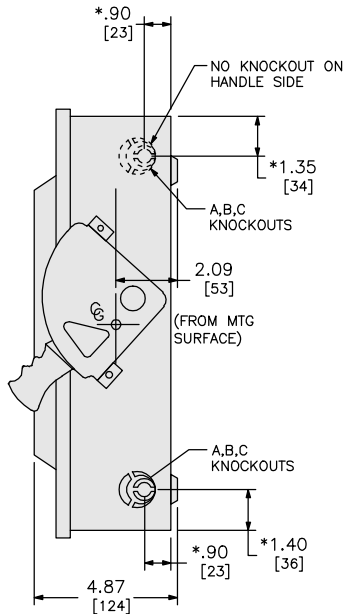
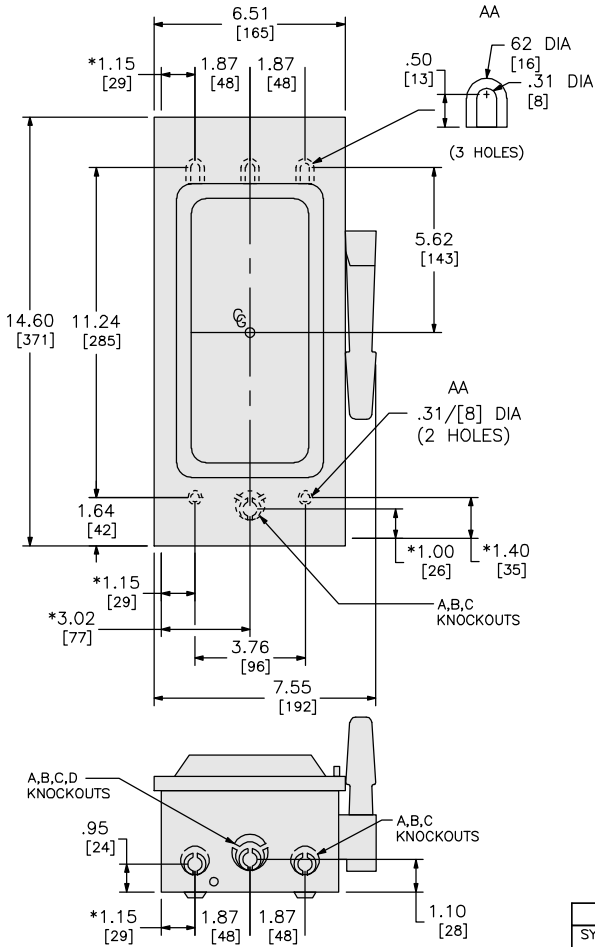
Contractual warranty

Warranty 18 months

Approximate Dimensions



Dimensions

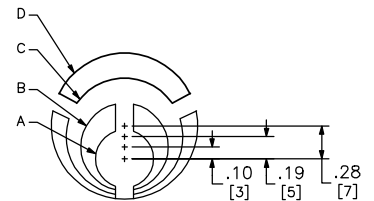


NEMA TYPE 1

*DIMENSIONS TO BOX (NOT COVER)

SEISMIC NOTES:
 USE (4) 1/4" DIA GRADE 5 STEEL MOUNTING BOLTS @ HOLES AA
 MAX CONFIGURED WEIGHT 10 LB FOR THE PURPOSE OF DETERMINING
 SEISMIC ANCHORAGE REQUIREMENTS. FOR ALL OTHER APPLICATIONS,
 CONTACT SQUARE D COMPANY.

KNOCKOUTS				
SYMBOL	CONDUIT SIZE		DIAMETER	
	IN	MM	IN	MM
A	.50	13	.88	22
B	.75	19	1.13	29
C	1.00	25	1.38	35
D	1.25	32	1.75	44



TANGENT KNOCKOUT

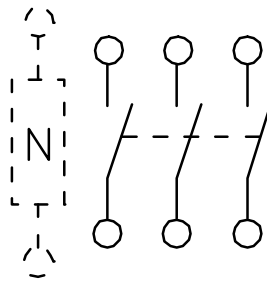
(DIMENSION ON DRAWING TO CENTERLINE OF "A" KNOCKOUT)

ALL DIMENSIONS ARE APPROXIMATE.
 REFER TO TECHNICAL DRAWINGS AND DOCUMENTATION

in.
 [mm]

Wiring Diagram

NOT FUSIBLE



HU361
HU361EI

Recommended replacement(s)

HU361 is replaced by:

1x



Safety switch, heavy duty, unfused, viewing window, NEMA 1, 600V, 30A, 3 pole
VHU361