



RC element 48...127 V AC, 70...150 V DC Surge suppressor For mounting onto contactors Size S00 !!! Phased-out product !!! Successor is SIRIUS 3RT2 Preferred successor type is >>3RT2916-1CC00<<

Figure similar

product brand name	SIRIUS
product designation	surge suppressor
<b>General technical data</b>	
size of contactor	S00
certificate of suitability	CE / UL / CSA
Substance Prohibition (Date)	07/01/2006
type of voltage of the control supply voltage	AC/DC
control supply voltage 1 at AC	
• at 50 Hz	48 ... 127 V
• at 60 Hz	48 ... 127 V
control supply voltage frequency	
• 1 rated value	50 Hz
• 2 rated value	60 Hz
control supply voltage 1	
• at DC	70 ... 150 V
design of the surge suppressor	RC element
<b>Ambient conditions</b>	
ambient temperature	
• during operation	-25 ... +60 °C
• during storage	-40 ... +80 °C
<b>Approvals Certificates</b>	
General Product Approval	



[Confirmation](#)



EMC	Test Certificates	Marine / Shipping
-----	-------------------	-------------------



[Special Test Certificate](#)



other	Railway
-------	---------

[Miscellaneous](#)

[Confirmation](#)

[Miscellaneous](#)

[Special Test Certificate](#)

**Further information**

Siemens has decided to exit the Russian market (see here).

<https://press.siemens.com/global/en/pressrelease/siemens-wind-down-russian-business>

Siemens is working on the renewal of the current EAC certificates.

Please contact your local Siemens office on the status of validity of the EAC certification if you intend to import or offer to supply these products to an EAC relevant market (other than the sanctioned EAEU member states Russia or Belarus).

Information on the packaging

<https://support.industry.siemens.com/cs/ww/en/view/109813875>

Information- and Downloadcenter (Catalogs, Brochures,...)

<https://www.siemens.com/ic10>

Industry Mall (Online ordering system)

<https://mall.industry.siemens.com/mall/en/en/Catalog/product?mlfb=3RT1916-1CC00>

Cax online generator

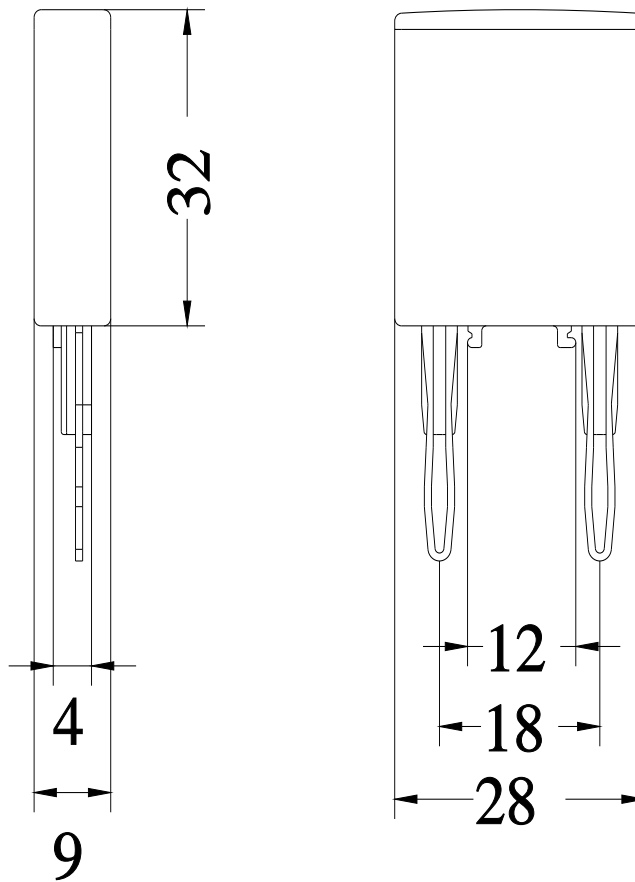
<http://support.automation.siemens.com/WW/CAXorder/default.aspx?lang=en&mlfb=3RT1916-1CC00>

Service&Support (Manuals, Certificates, Characteristics, FAQs,...)

<https://support.industry.siemens.com/cs/ww/en/ps/3RT1916-1CC00>

Image database (product images, 2D dimension drawings, 3D models, device circuit diagrams, EPLAN macros, ...)

[http://www.automation.siemens.com/bilddb/cax\\_de.aspx?mlfb=3RT1916-1CC00&lang=en](http://www.automation.siemens.com/bilddb/cax_de.aspx?mlfb=3RT1916-1CC00&lang=en)



last modified:

10/22/2022 