



SBC STAMPED BEAM CLAMP, TOP MOUNT



CERTIFICATIONS



FEATURES

Allows structural attachment to metal beams, bar joist, channel, or angle iron in top mount position only unless used on a parallel flange

Lightweight, one-piece stamped body provides superior strength and eliminates deficiencies associated with castings

Spins onto threaded rod and allows for easy adjustment

Conforms with Federal Specification WW-H-171 (Type 23), Manufacturers Standardization Society ANSI®/MSS-SP-58 (Type 19)

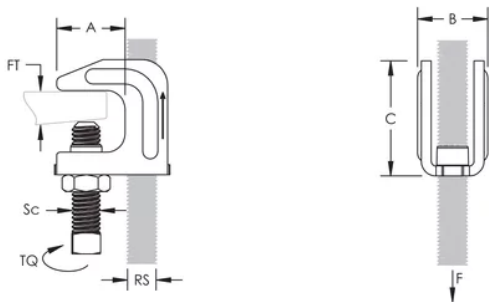
SPECIFICATIONS

Catalog Number	Material	Finish	Rod Size(RS)	Flange Thickness(FT)	A	B	C	Screw Diameter(Sc)	Torque(TQ)	Static Load(F)
SBC037	Steel	Pregalvanized	3/8"	3/4" Max	0.925"	0.850"	1.580"	3/8"	5 ft lb	500 lb

ADDITIONAL PRODUCT DETAILS

Set screw must be tightened and torqued onto the sloped side of the I-beam, channel, or angle iron flange.

DIAGRAMS



WARNING

nVent products shall be installed and used only as indicated in nVent's product instruction sheets and training materials. Instruction sheets are available at www.nvent.com and from your nVent customer service representative. Improper installation, misuse, misapplication or other failure to completely follow nVent's instructions and warnings may cause product malfunction, property damage, serious bodily injury and death and/or void your warranty.

North America

+1.800.753.9221

Option 1 – Customer Care

Option 2 – Technical Support

Europe

Netherlands:

+31 800-0200135

France:

+33 800 901 793

Europe

Germany:

800 1890272

Other Countries:

+31 13 5835404

APAC

Shanghai:

+ 86 21 2412 1618/19

Sydney:

+61 2 9751 8500



Our powerful portfolio of brands:
nVent.com **CADDY ERICO HOFFMAN RAYCHEM SCHROFF**
TRACER