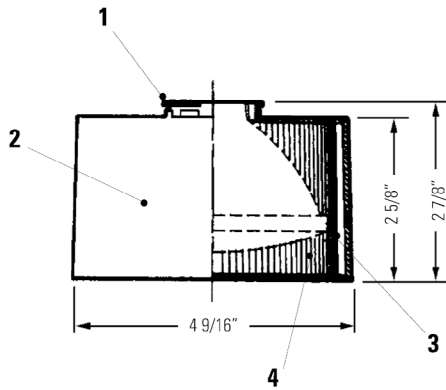
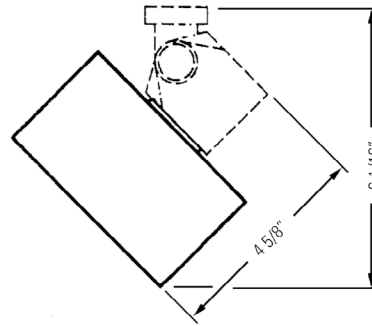


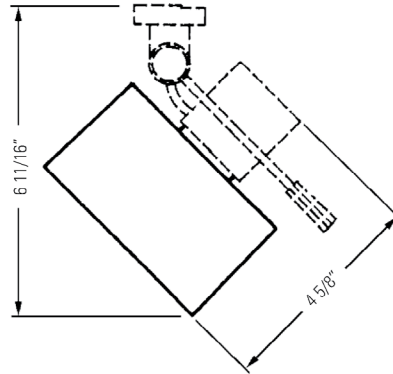
Project: _____
 Location: _____
 Cat.No: _____
 Type: _____
 Lamps: _____ Qty: _____
 Notes: _____



CYLINDER 30 WITH LOW PROFILE ADAPTER



CYLINDER 30 WITH HINGED ADAPTER



Ordering Information

Catalog No.	Finishes	Mounting	Lamps
8236WH 8236BK	Matte White Matte Black	All Lytespan Track Systems	PAR30, 75W Max. (Tungsten-Halogen)

Features

- 1. **Shade Attachment:** Zinc plated and painted C.R. steel. Bayonet fitting.
- 2. **Shade:** Single piece die-cast aluminum.
- 3. **Mounting Groove:** For accessories holder.
- 4. **Integral Verti-Grooves:** With black inside finish for glare control.

Finish

All painted finishes baked enamel.

Labels

UL; I.B.E.W.

Options & Accessories

3 1/2" Beam Smoother, Beam Elongator, Louver and Be
 All require Accessory Holder 8583.
 See Lightolier Specification Sheets AL2HC, AF2LF, AF2.

8236WH Par-Tech

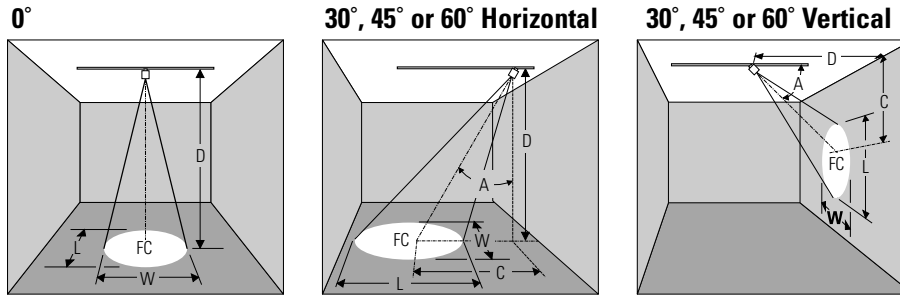
Cylinder 30 Shade

Lighting Data

Aiming Angle

- L** Beam Length
- W** Beam Width
- C** Distance to center beam
- D** Distance
- A** Aiming Angle
- FC** Footcandles

L and **W** are the outer points where the candle power drops to 50% of the maximum. **FC** are the initial footcandles at the center of the beam.



LAMP	Beam Spread 50% Max. CP	Beam Center C.P. Candelas	Rated Life-Hrs	0° AIMING ANGLE					A=30° AIMING ANGLE					A=45° AIMING ANGLE					A=60° AIMING ANGLE				
				D	FC	L	W	D	C	FC	L	W	D	C	FC	L	W	D	C	FC	L	W	
50W PAR30 NSP (Halogen)	8°	9,200	2,000	7'	188	1.0'	1.0'	6'	3.5'	166	1.1'	1.0'	4'	4.0'	203	1.1'	0.8'	2'	3.5'	288	1.1'	0.6'	
				10'	92	1.4'	1.4'	9'	5.2'	74	1.7'	1.5'	6'	6.0'	90	1.7'	1.2'	3'	5.2'	128	1.7'	0.8'	
				13'	54	1.8'	1.8'	12'	6.9'	41	2.2'	1.9'	8'	8.0'	51	2.2'	1.6'	4'	6.9'	72	2.3'	1.1'	
				16'	36	2.2'	2.2'	15'	8.7'	27	2.8'	2.4'	10'	10.0'	33	2.8'	2.0'	5'	8.7'	46	2.8'	1.4'	
50W PAR30 NSP (Halogen-IR)	8°	17,000	3,000	8'	266	1.1'	1.1'	7'	4.0'	225	1.3'	1.1'	5'	5.0'	240	1.4'	1.0'	3'	5.2'	236	1.7'	0.8'	
				12'	118	1.7'	1.7'	10'	5.8'	110	1.9'	1.6'	7'	7.0'	123	2.0'	1.4'	4'	6.9'	133	2.3'	1.1'	
				16'	66	2.2'	2.2'	13'	7.5'	65	2.4'	2.1'	9'	9.0'	74	2.5'	1.8'	5'	8.7'	85	2.8'	1.4'	
				20'	43	2.8'	2.8'	16'	9.2'	43	3.0'	2.6'	11'	11.0'	50	3.1'	2.2'	6'	10.4'	59	3.4'	1.7'	
50W PAR30 NFL (Halogen)	25°	2,000	2,000	4'	125	1.8'	1.8'	3'	1.7'	144	1.8'	1.5'	3'	3.0'	79	2.8'	1.9'	1'	1.7'	250	2.1'	0.9'	
				6'	58	2.7'	2.7'	5'	2.9'	52	3.0'	2.6'	4'	4.0'	44	3.7'	2.5'	2'	3.5'	63	4.2'	1.8'	
				8'	31	3.5'	3.5'	7'	4.0'	27	4.2'	3.6'	5'	5.0'	28	4.7'	3.1'	3'	5.2'	28	6.2'	2.7'	
				10'	20	4.4'	4.4'	9'	5.2'	16	5.4'	4.5'	6'	6.0'	20	5.6'	3.8'	4'	6.9'	16	8.3'	3.5'	
50W PAR30 NFL (Halogen-IR)	25°	3,000	3,000	6'	83	2.7'	2.7'	5'	2.9'	78	3.0'	2.6'	3'	3.0'	118	2.8'	1.9'	2'	3.5'	94	4.2'	1.8'	
				8'	47	3.5'	3.5'	7'	4.0'	40	4.2'	3.6'	5'	5.0'	42	4.7'	3.1'	3'	5.2'	42	6.2'	2.7'	
				10'	30	4.4'	4.4'	9'	5.2'	24	5.4'	4.6'	7'	7.0'	22	6.5'	4.4'	4'	6.9'	23	8.3'	3.5'	
				12'	21	5.3'	5.3'	11'	6.4'	16	6.6'	5.6'	9'	9.0'	12	8.4'	5.6'	5'	8.7'	15	10.4'	4.4'	
50W PAR30 FL (Halogen)	35°	1,400	2,500	3'	158	1.9'	1.9'	3'	1.7'	101	2.6'	2.2'	2'	2.0'	124	2.8'	1.8'	1'	1.7'	175	3.6'	1.3'	
				5'	56	3.2'	3.2'	5'	2.9'	36	4.3'	3.6'	3'	3.0'	55	4.2'	2.7'	2'	3.5'	44	7.2'	2.5'	
				7'	29	4.4'	4.4'	7'	4.0'	19	6.1'	5.1'	4'	4.0'	31	5.6'	3.8'	3'	5.2'	19	10.8'	3.8'	
				9'	17	5.7'	5.7'	9'	5.2'	11	7.8'	6.6'	5'	5.0'	20	7.0'	4.5'	4'	6.9'	11	14.4'	5.0'	
50W PAR30 FL (Halogen-IR)	37°	1,600	3,000	3'	178	2.0'	2.0'	3'	1.7'	115	2.8'	2.3'	2'	2.0'	141	3.0'	1.9'	1'	1.7	200	4.0'	1.3'	
				5'	64	3.3'	3.3'	5'	2.9'	42	4.6'	3.9'	3'	3.0'	63	4.5'	2.8'	2'	3.5'	50	8.1'	2.7'	
				7'	33	4.7'	4.7'	7'	4.0'	21	6.5'	5.4'	4'	4.0'	35	6.0'	3.8'	3'	5.2'	22	12.1'	4.0'	
				9'	20	6.0'	6.0'	9'	5.2'	13	8.3'	7.0'	5'	5.0'	23	7.5'	4.7'	4'	6.9'	13	18.1'	5.4'	
75W PAR30 NSP (Halogen)	9°	14,000	2,500	8'	219	1.3'	1.3'	7'	4.0'	186	1.5'	1.3'	5'	5.0'	198	1.6'	1.1'	3'	5.2'	184	1.9'	0.9'	
				12'	97	1.9'	1.9'	10'	5.8'	91	2.1'	1.8'	7'	7.0'	101	2.2'	1.6'	4'	6.8'	109	2.6'	1.3'	
				16'	55	2.5'	2.5'	13'	7.5'	54	2.7'	2.4'	9'	9.0'	61	2.9'	2.0'	5'	8.7'	70	3.2'	1.6'	
				20'	35	3.1'	3.1'	16'	9.2'	36	3.4'	2.9'	11'	11.0'	41	3.5'	2.4'	6'	10.4'	49	3.8'	1.9'	
75W PAR30 NFL (Halogen)	30°	3,200	2,500	6'	89	3.2'	3.2'	5'	2.9'	83	3.7'	3.1'	3'	3.0'	126	3.5'	2.3'	2'	3.5'	100	5.5'	2.1'	
				8'	50	4.3'	4.3'	7'	4.0'	42	5.1'	4.3'	5'	5.0'	45	5.8'	3.8'	3'	5.2'	44	8.2'	3.2'	
				10'	32	5.4'	5.4'	9'	5.2'	26	6.6'	5.6'	7'	7.0'	23	8.1'	5.3'	4'	6.9'	25	10.9'	4.3'	
				12'	22	6.4'	6.4'	11'	6.4'	17	8.1'	6.8'	9'	9.0'	14	10.4'	6.8'	5'	8.7'	16	13.7'	5.4'	
75W PAR30 FL (Halogen)	40°	2,000	2,500	4'	125	2.9'	2.9'	3'	1.7'	144	3.0'	2.5'	3'	3.0'	79	5.0'	3.1'	1'	1.7'	250	4.8'	1.5'	
				6'	56	4.4'	4.4'	5'	2.9'	52	5.1'	4.2'	4'	4.0'	44	6.7'	4.1'	2'	3.5'	63	9.7'	2.9'	
				8'	31	5.8'	5.8'	7'	4.0'	27	7.1'	5.9'	5'	5.0'	28	8.4'	5.1'	3'	5.2'	28	14.5'	4.4'	
				10'	20	7.3'	7.3'	9'	5.2'	16	9.1'	7.6'	6'	6.0'	20	10.1'	6.1'	4'	6.9'	16	19.3'	5.8'	

