

Straight Blade Devices
 30A, 3 Phase 250V AC, 3 Pole, 4 Wire
 Grounding
 Single Receptacle

HUBBELL



Features

- Sequenced contacts assure protection
- Catalog number, ratings and certifications molded in face
- One piece design power and ground contacts

Ordering Information

Description	Device Color	UPC	Catalog Number
Receptacle, black RTP	Black	783585015149	HBL8430A

Listings

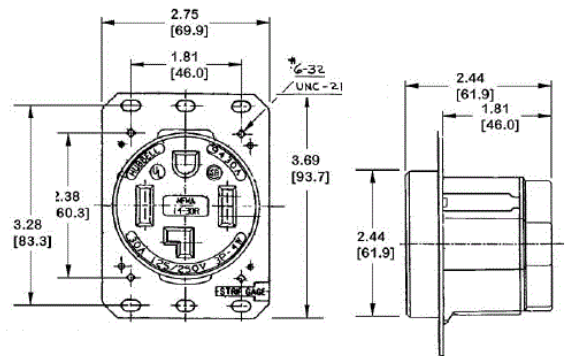
UL Listed File E2186
 Certified to CSA
 NEMA® WD-6 Compliant

Specifications

Housing	Nylon
Contacts	Brass
Ground Shunt	Brass
Mounting Plate	.062 in. (1.5) Pre-Plated steel
Box Terminals	Copper

Performance

Electrical	
Current Interrupting	Certified for current interrupting at full rated current
Dielectric Voltage	Withstands 2,000V minimum
Mechanical	
Product Identification	Ratings are a permanent part of the device
Terminal Accommodation	#12 AWG through #4 AWG copper wire only
Terminal Identification	Terminals identified in accordance with UL 498 and CSA
Environmental	
Flammability	UL 94 V-0
IP Suitability	IP20
Operating Temperatures	Maximum continuous 75°C; minimum -40°C (w/o impact)



Accessories

Wallplate or Weatherproof Cover 2.48" Opening

Resources

Customer Use Drawing
 eCatalog

Dimensions in Inches (mm)

Hubbell Wiring Device-Kellems • Hubbell Incorporated (Delaware) • 40 Waterview Drive • Shelton, CT 06484

Phone (800) 288-6000 • Fax (800) 255-1031 • Specifications subject to change without notice.

