



NP Series Sealed Industrial Pushbutton Switch **NEW!**

Pushbutton
A

Features/Benefits

- IP68 sealed
- 1,000,000 life cycle
- Multiple housing styles
- Capable of up to 5A resistive load
- Wirelead options available
- RoHS compliant

Typical Applications

- Harsh environments
- Off-Road
- Industrial
- Transportation
- Military



Specifications

FUNCTION: SPDT Double Break (Form Z) Momentary
CONTACT ARRANGEMENT: N.O. and N.C.
MOUNTING TYPE: Threaded front or rear mount and slot mount

Mechanical

OPERATING LIFE: 1,000,000 cycles
TOTAL TRAVEL: 1.6 ± 0.15 mm
OPERATING POINT 0.9 ± 0.25 mm
OVER TRAVEL: 0.45 min.
OPERATING FORCE: 8N ± 1N
VIBRATION: 10-500 Hz 10g Max
SHOCK: 50g 11ms sawtooth wave

Electrical

CONTACT RATING:
Option G - Gold over Silver
10mA/5 VDC (1,000,000 cycles)
Option Q - Silver
1A/32 VDC resistive (100,000 cycles)
5A/32 VDC resistive (25,000 cycles)
3A/32 VDC inductive (25,000 cycles)
DIELECTRIC STRENGTH: 1000 V AC for 1 min.
INSULATION RESISTANCE: 1 G Ω @ 500 VDC
INITIAL CONTACT RESISTANCE 50 mΩ max (without wire leads)
BOUNCE TIME: <5 ms

Materials

HOUSING: 6061-T6 Aluminum, black or clear anodized
BASE: PBT
CAP: PBT
ACTUATOR: PBT
INTERNAL SEAL: Silicone rubber
TERMINALS: Copper with silver nickel inlay, silver plating
MOVABLE CONTACT: Copper alloy, gold over silver plating
TERMINAL SEAL: Epoxy

Operating Environment

OPERATING TEMPERATURE: -40°C to +85°C
ESD PROTECTION: 15KV min.

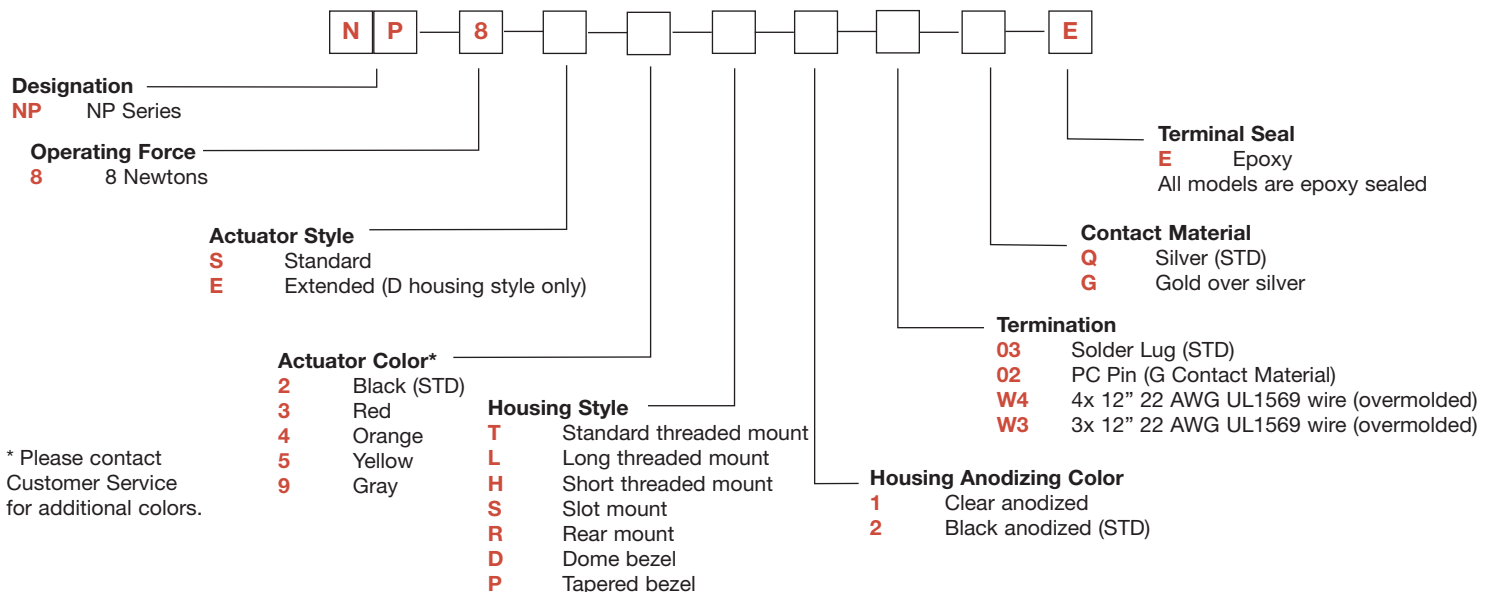
Process Environment

SEALING: IP68

NOTE: Specifications and materials listed above are for switches with standard options. For information on specific and custom switches, please contact Customer Service.

Build-A-Switch

To order, simply select desired option from each category and place in the appropriate box.



Specifications and dimensions subject to change

NEW!

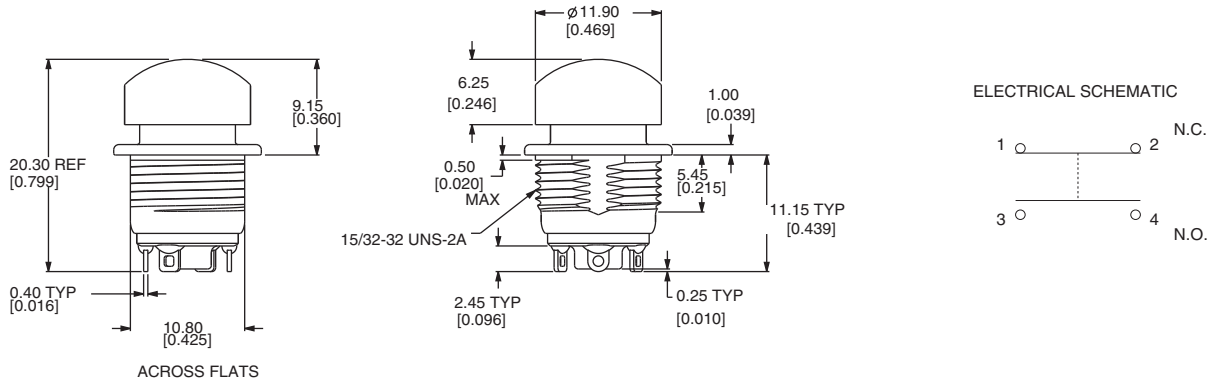
NP Series Sealed Industrial Pushbutton Switch



A

Pushbutton

STANDARD VIEW



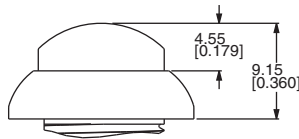
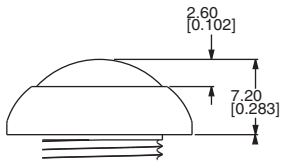
OPERATING FORCE

OPTION CODE	OPERATING FORCE
8	8 N

ACTUATOR STYLE

S STANDARD

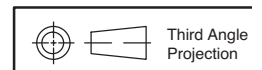
E EXTENDED (D HOUSING STYLE ONLY)



ACTUATOR COLOR

OPTION CODE	ACTUATOR COLOR
2	Black
3	Red
4	Orange
5	Yellow
9	Gray

For additional colors please contact Customer Service.



Dimensions are shown: mm (inches)
Specifications and dimensions subject to change



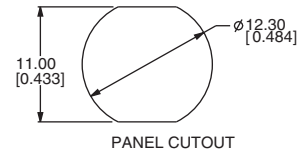
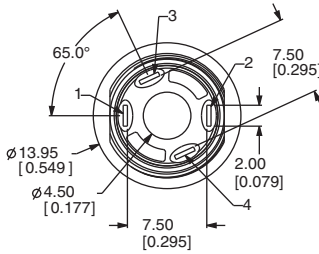
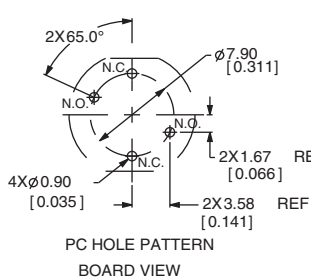
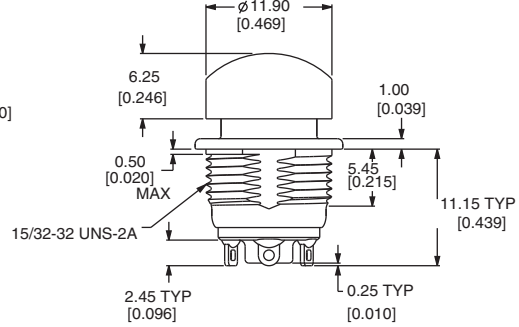
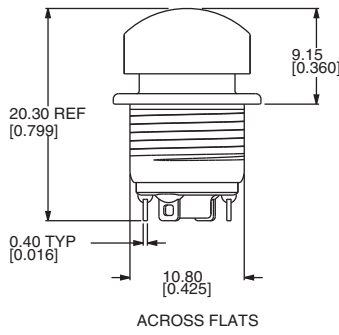
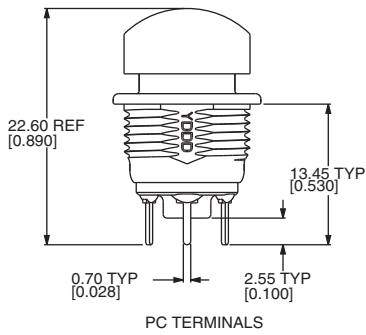


NP Series Sealed Industrial Pushbutton Switch **NEW!**

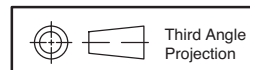
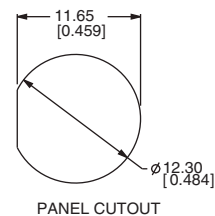
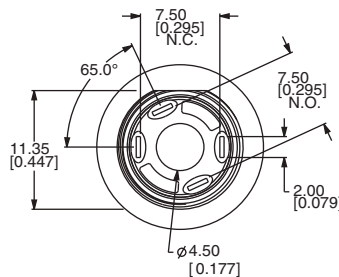
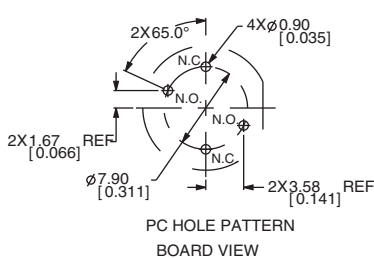
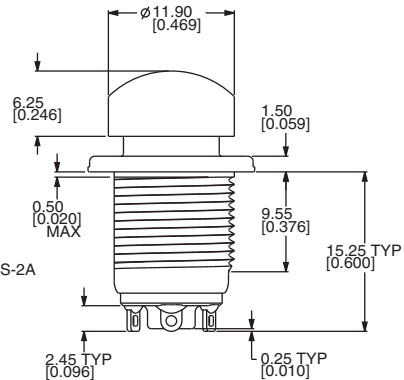
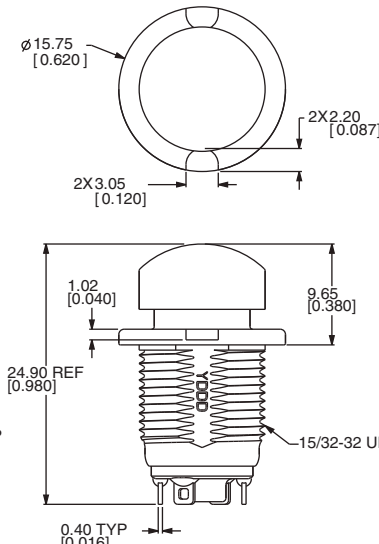
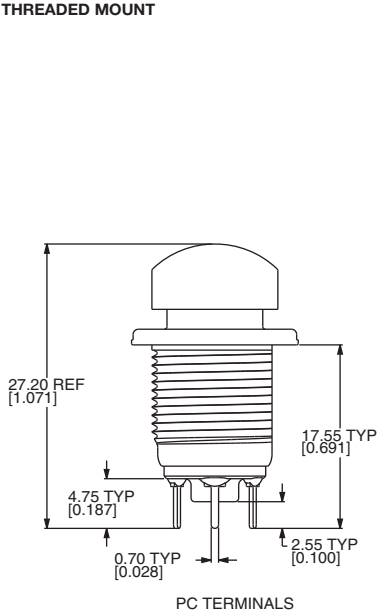
HOUSING STYLE

Pushbutton

T STANDARD THREADED MOUNT



L LONG THREADED MOUNT



Dimensions are shown: mm (inches)
Specifications and dimensions subject to change

NEW!

NP Series Sealed Industrial Pushbutton Switch

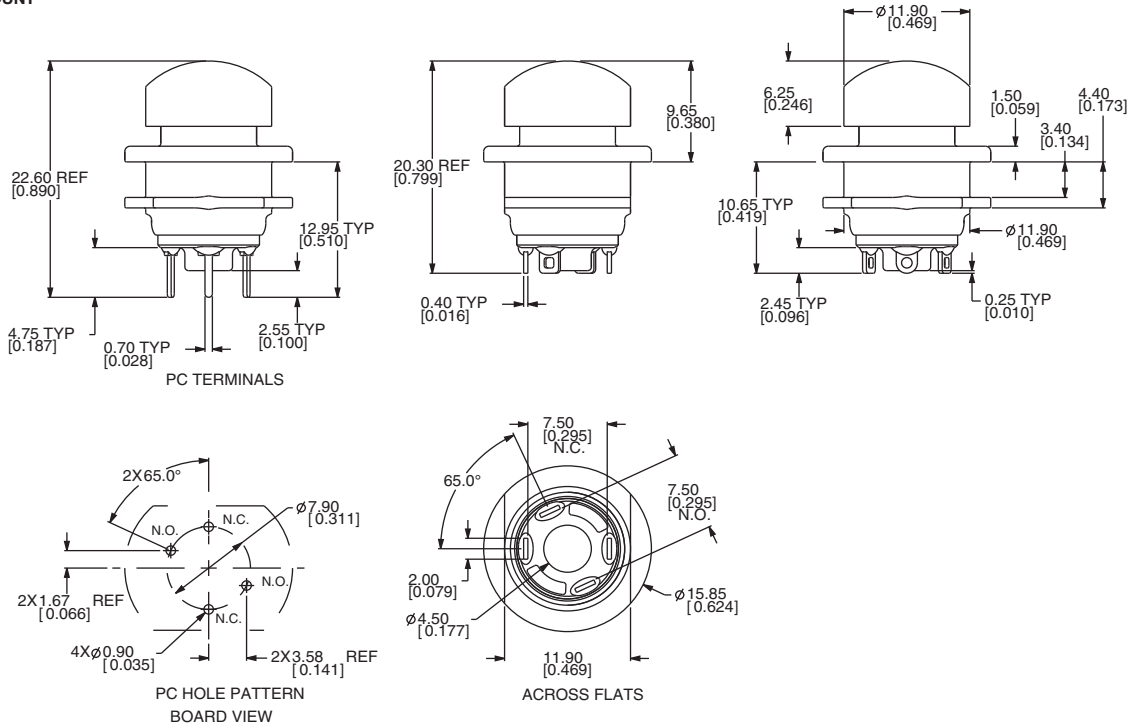


A

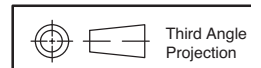
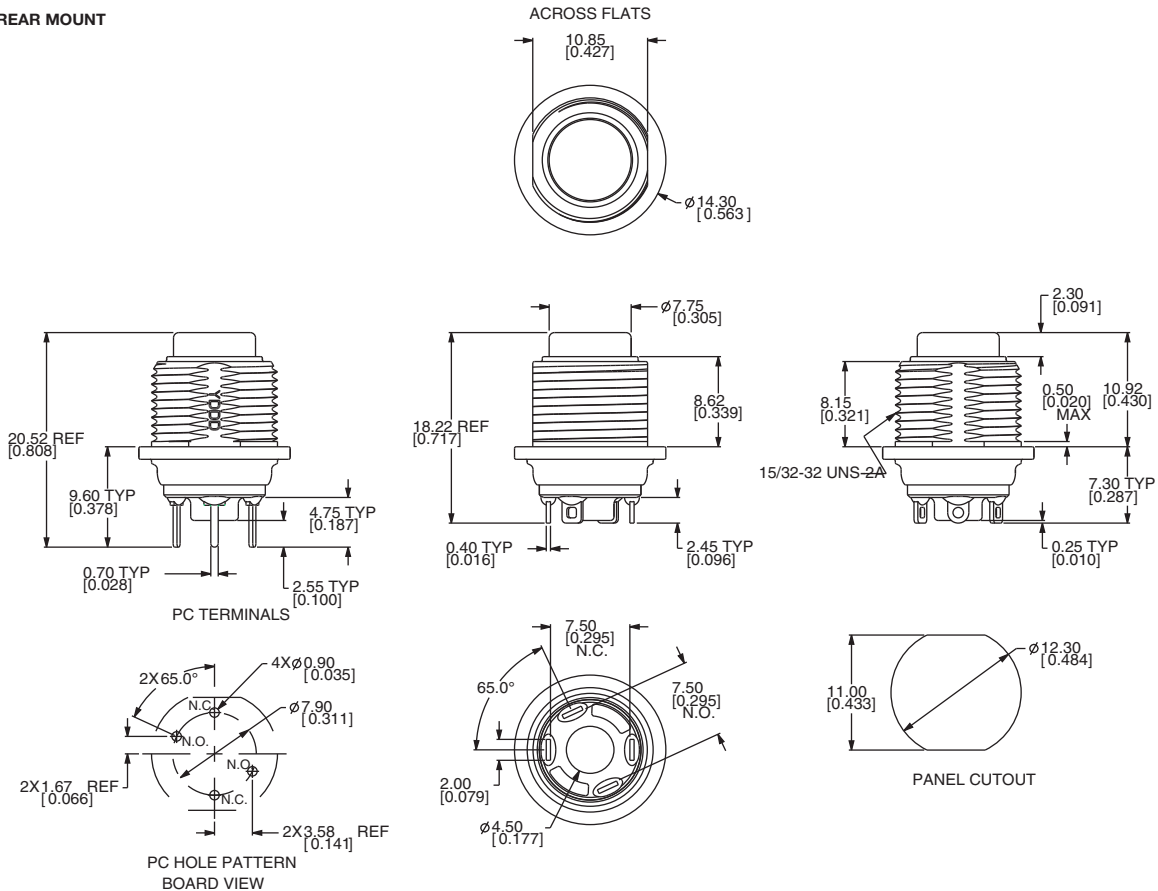
Pushbutton

HOUSING STYLE

S SLOT MOUNT



R REAR MOUNT



Dimensions are shown: mm (inches)
Specifications and dimensions subject to change

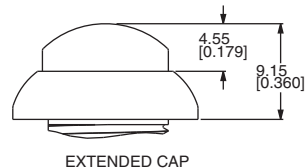
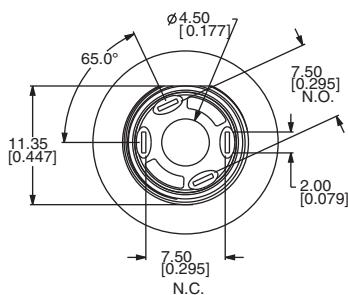
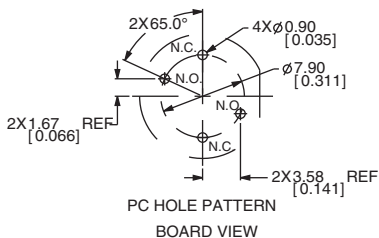
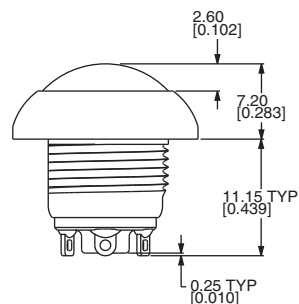
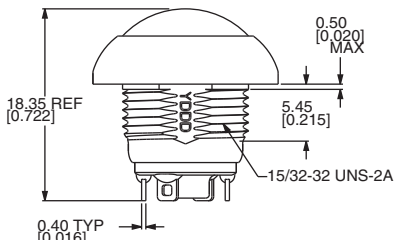
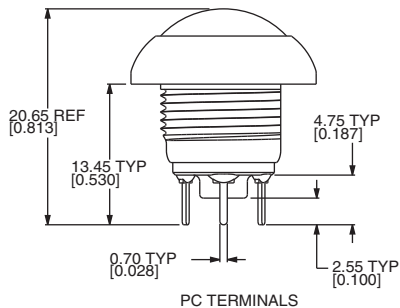
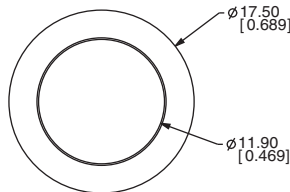
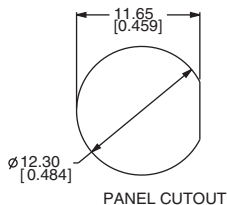


NP Series Sealed Industrial Pushbutton Switch **NEW!**

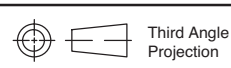
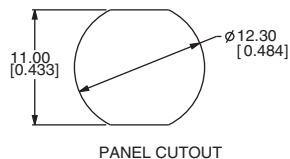
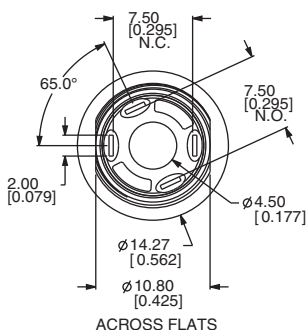
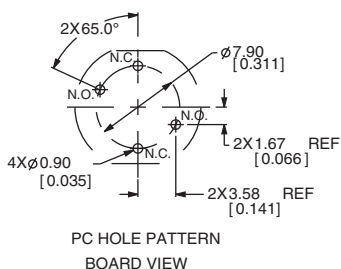
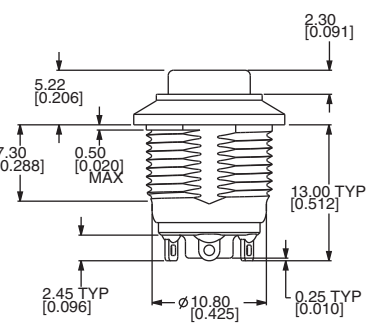
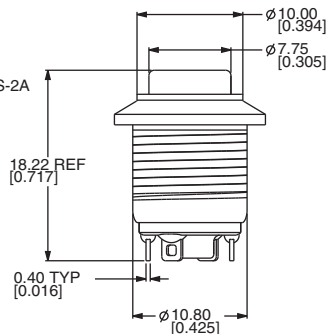
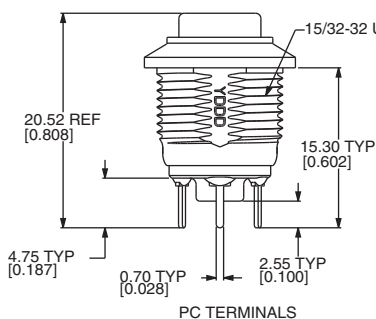
HOUSING STYLE

Pushbutton
A

D DOME BEZEL



P TAPERED BEZEL



Dimensions are shown: mm (inches)
Specifications and dimensions subject to change

NEW!

NP Series Sealed Industrial Pushbutton Switch



A

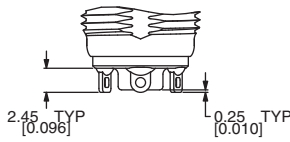
Pushbutton

HOUSING ANODIZING COLOR

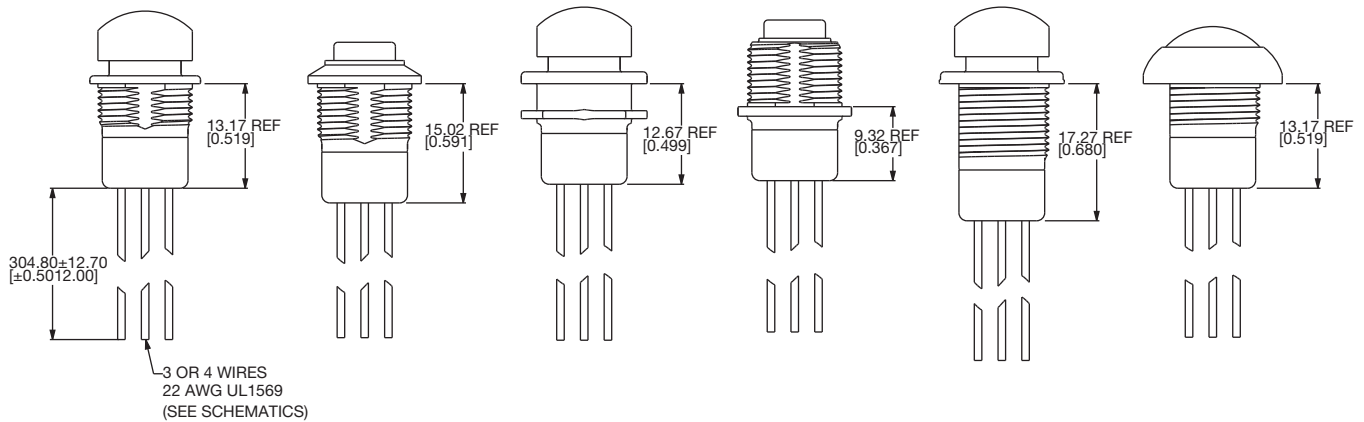
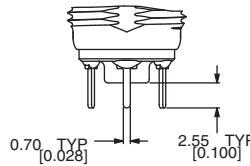
OPTION CODE	ANODIZING COLOR
1	Clear anodized
2	Black anodized (STD)

TERMINATION

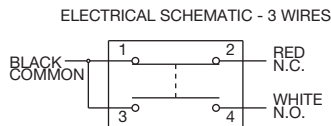
03 SOLDER LUG (STD)



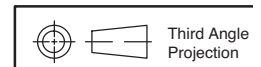
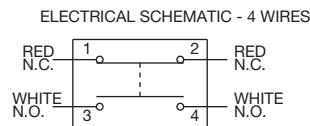
02 PC PIN (G CONTACT MATERIAL)



W3 3X 12" 22 AWG UL1569 WIRE (OVERMOLDED)



W4 4X 12" 22 AWG UL1569 WIRE (OVERMOLDED)



Dimensions are shown: mm (inches)
Specifications and dimensions subject to change





NP Series Sealed Industrial Pushbutton Switch **NEW!**

Pushbutton
A

CONTACT MATERIAL

OPTION CODE	CONTACT MATERIAL
Q	Silver (STD)
G	Gold over Silver

TERMINAL SEAL

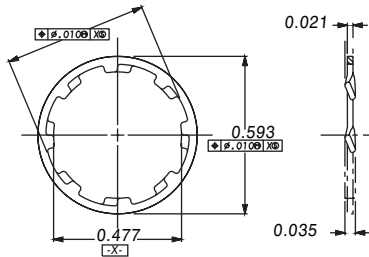
E EPOXY

All models are epoxy sealed

HARDWARE

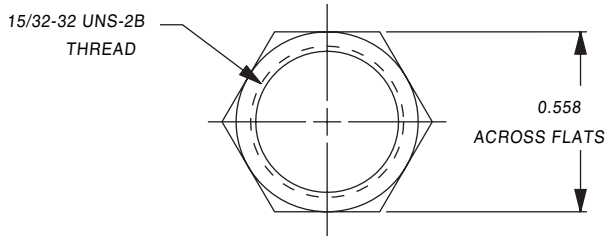
LOCKWASHER

700302202



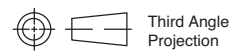
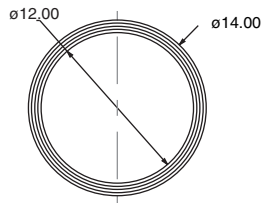
HEX NUT

- 707100A56 Black
- 707100201 Nickel-plated
- 707100215 Satin Chrome



PANEL GASKET

851D020000



Third Angle
Projection

C&K

Dimensions are shown: mm (Inches)
Specifications and dimensions subject to change