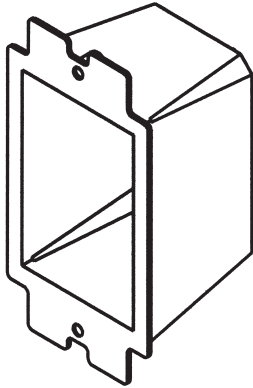




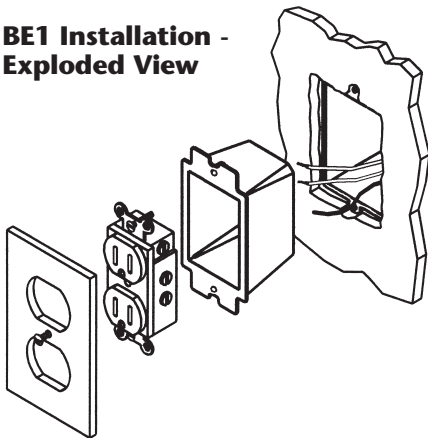
BE1 Box Extender



BE1

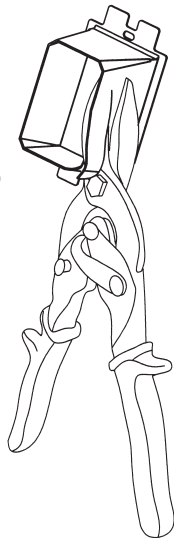


**BE1 Installation -
Exploded View**



BE1 Trim Depth

Depth of extender may be shortened to fit shallow boxes. Using tin snips trim back to the desired amount leaving a minimum of 1/4" to extend into the box.



CATALOG NUMBER	UPC/DCI/NAED MFG #01 8997	DESCRIPTION	STD PKG
BE1	40160	Single Gang Box Extender	25
BE1BAG	51905	Single Gang Box Extender*	1 per bag 100 bags per box
BE1X	40171	Single Gang Box Extender**	25

*Note: BE1BAG includes two #6 x 2" long screws.

**Note: BE1X accepts MID and MAX Cover Plates.

PATENTED. ADDITIONAL PATENTS PENDING.

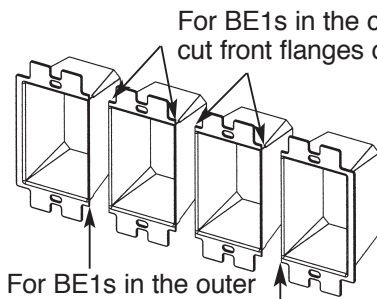
Features & Benefits

Allows the electrical contractor to comply with NEC 2017 Article 314.20 in Wall or Ceiling. "In walls or ceilings with a surface of concrete, tile, gypsum, plaster, or other non-combustible material, boxes shall be installed so that the front edge of the box will not be set back of the finished surface more than 1/4" (6mm). In walls or ceilings constructed of wood or other combustible material, boxes shall be flush with the finished surface or project therefrom."

- Levels and supports the wiring device where the box is set back from the wall surface.
- Works in handy boxes and 4" square electrical boxes with plaster rings for single switches or receptacles.
- Functions with all standard devices, switches, and GFCIs.
- Manufactured from 105°C continuous use 94V0 rated flame retardant plastic for safer installations.
- Adjusts up to a 1-1/2" box extension.
- Plastic construction prevents stripping of wire insulation or short out on screw of side wire devices.
- For multiple gang boxes, refer to Arlington's 2-gang through 4-gang box extenders (shown on reverse) or trim the BE1 per the illustration below.

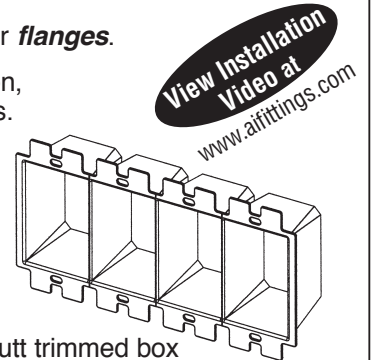
BE1 Multiple Gang Assembly

Using tin snips, trim off BE1's *front flange* or *flanges*.



For BE1s in the center position, cut front flanges on both sides.

For BE1s in the outer position, trim the interior flange only.

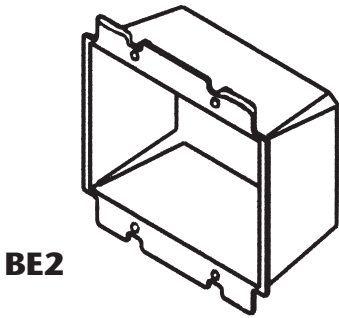


Butt trimmed box extenders together in the electrical box for a UL/CSA installation.

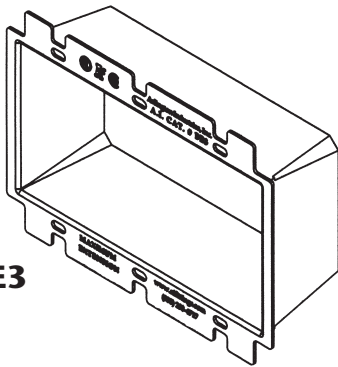
View Installation Video at
www.aifittings.com



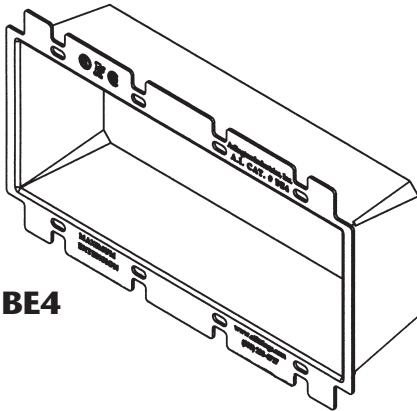
BE2, BE3 & BE4 Box Extenders



BE2



BE3



BE4



View Installation
Video at
www.aifittings.com

CATALOG NUMBER	UPC/DCI/NAED MFG #01 8997	DESCRIPTION	STD PKG
BE2	48960	2-Gang Box Extender	25
BE2X	48973	2-Gang Box Extender*	25
BE3	48967	3-Gang Box Extender	10
BE3X	48974	3-Gang Box Extender*	10
BE4	48968	4-Gang Box Extender	10
BE4X	48975	4-Gang Box Extender*	10

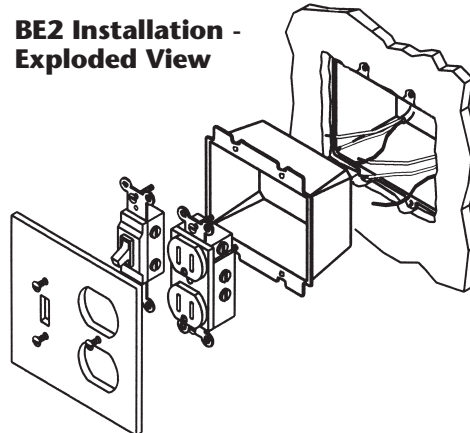
*BE2X, BE3X, BE4X accepts MID and MAX Cover Plates.
PATENTED. ADDITIONAL PATENTS PENDING.

Features & Benefits

Allows the electrical contractor to comply with NEC 2017 Article 314.20 in Wall or Ceiling. "In walls or ceilings with a surface of concrete, tile, gypsum, plaster, or other non-combustible material, boxes shall be installed so that the front edge of the box will not be set back of the finished surface more than 1/4" (6mm). In walls or ceilings constructed of wood or other combustible material, boxes shall be flush with the finished surface or project therefrom."

- Levels and supports the wiring device where the box is set back from the wall surface.
- Functions with all standard devices, switches, and GFCIs.
- Manufactured from 105°C continuous use 94V0 rated flame retardant plastic for safer installations.
- Adjusts up to a 1-1/2" box extension.
- Plastic construction prevents stripping of wire insulation or short out on screw of side wire devices.

BE2 Installation - Exploded View



Trim Depth Note: (See illustration on front)

Depth of extender may be shortened to fit shallow boxes. Using tin snips trim back to the desired amount leaving a minimum of 1/4" to extend into the box.